

880mm DOWNDRAFT RANGEHOOD  
 - BLACK GLASS FASCIA & STAINLESS STEEL TRIM  
 SDD2ELEMTC88

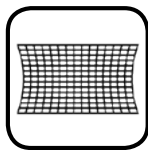


|                                  |   |
|----------------------------------|---|
| Rangehood type                   | Downdraft                                     |
| Control                          | Touch control, Remote control included        |
| Speed settings                   | 4   |
| Ducting diameter                 | 200mm   |
| Extraction type                  | Offboard motor                                |
| Motor*                           | SEM71, SEM81                                  |
| Filter                           | Aluminium mesh filter                         |
| Safety features                  | Auto-stop                                     |
| Lighting                         | Light strip                                   |
| Induction Countdown Control      | Yes   |
| Electrical requirement           | 10A   |
| Dimensions (fully extended) (mm) | W875 x D120 x H300                            |
| Weight                           | 40kg  |
| Warranty                         | 3 years (6 years when Sirius ducting is used) |

|                                |                 |       |
|--------------------------------|-----------------|-------|
| 880mm alternate trim available |                 |       |
| Gloss Black Trim Kit           | SPS-75001574515 | \$249 |



INDUCTION  
SAFE



ALUMINIUM  
MESH FILTER



SPEED  
SETTINGS



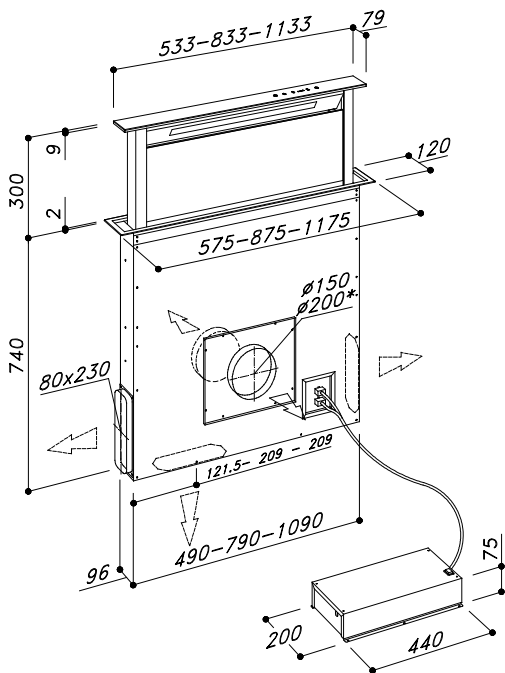
LIGHT STRIP



EUROPEAN-  
MADE MOTOR

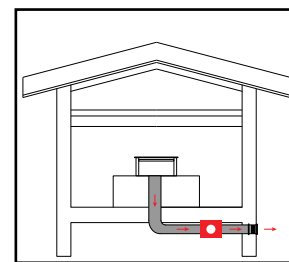


HANDCRAFTED  
IN ITALY



\*Outdoor offboard motors have a marine grade finish as standard for added resistance to coastal weather elements.

Ducting options



External venting  
(SEM81 shown)

- Can be used with SEM71, SEM81.
- Use semi-rigid or rigid ducting, not fully flexible foil ducting.
- Fewer bends means a quieter and more powerful extraction.
- Extra 3 years warranty when Sirius ducting is used (total 6 years).
- See [support page](#) on Sirius website for installation videos and FAQs.

WARNING: technical specifications and product sizes can be varied by the manufacturer, without notice. Cut outs for appliances should only be by physical product measurements. The above information is indicative only.

Distributed by Arisit Pty Ltd