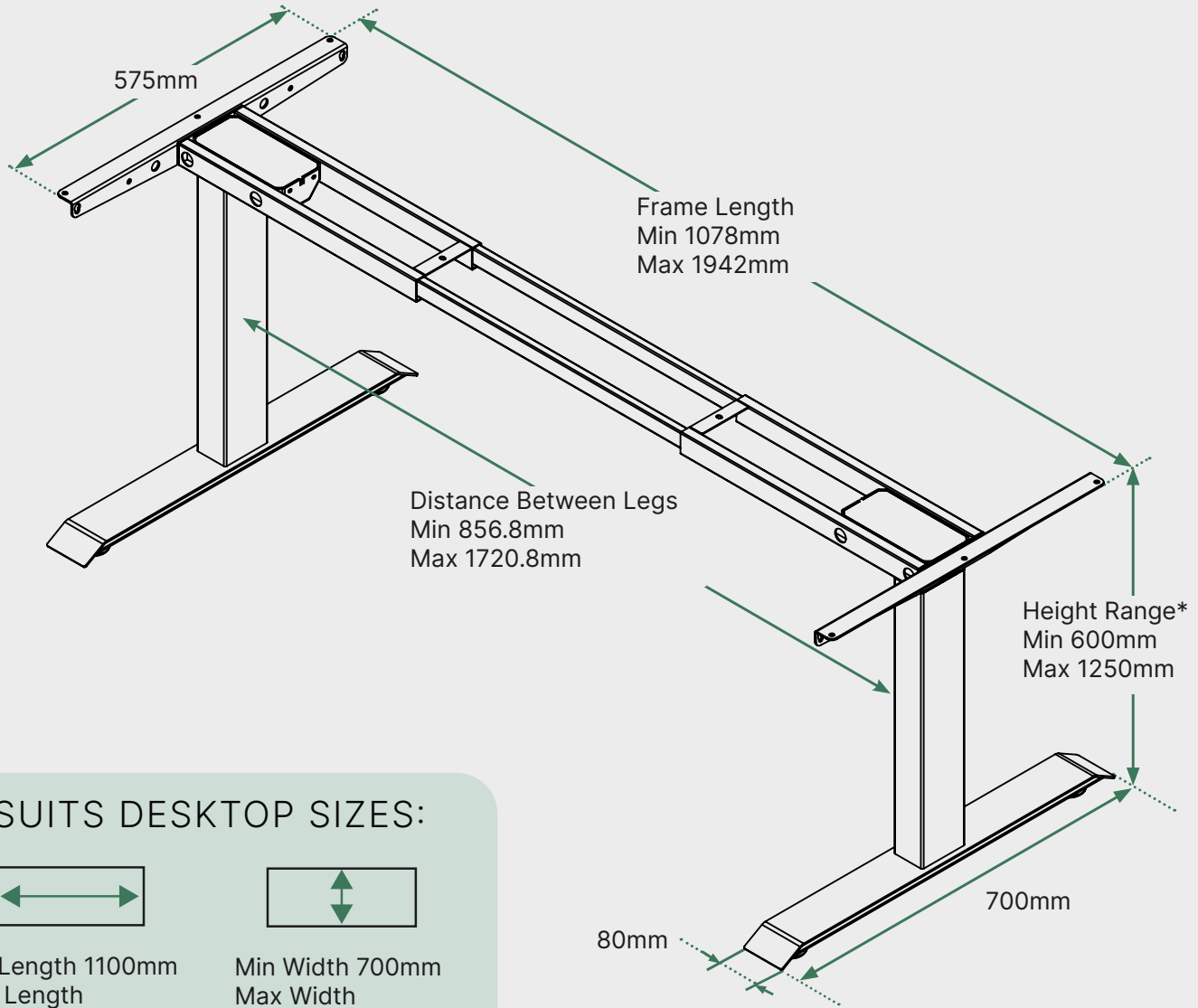


Recommended for home and work space



### SUITS DESKTOP SIZES:



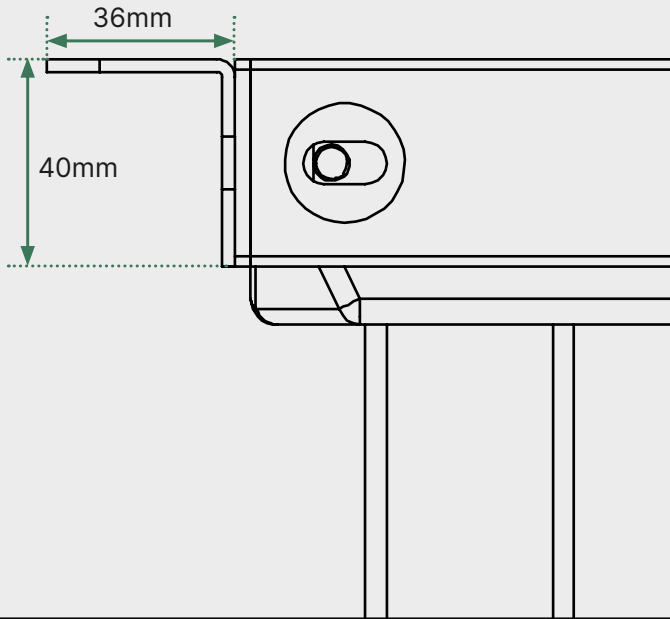
Min Length 1100mm  
Max Length 2200mm



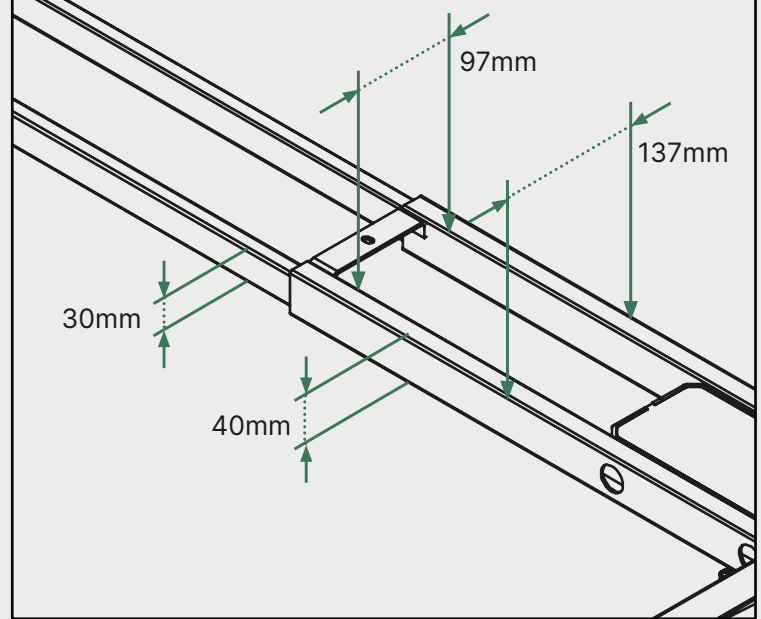
Min Width 700mm  
Max Width 950mm

<b>Height Range*</b>	62.5 - 127.5 With Desktop 60-125cm No Desktop	Dual Motor Lifting System	Earthed
<b>Gross Weight</b>	36kgs	Active Anti-Collision Sensors	4 Memory Presets
<b>Travel Speed</b>	36mm/second	Rock Solid Stability	Programmable Upper and Lower Limits
<b>Noise Level</b>	40dB	10 Year Warranty	3-Stage Lifting Column
<b>Frame Length</b>	1078-1942mm	Child Lock Function	USB Charge Port
<b>Weight Capacity</b>	140kgs		
<b>Power</b>	Input 240/110V Output 24V		
<b>Warranty</b>	10 Years		
<b>Finish Options</b>	<ul style="list-style-type: none"> <li><span style="display: inline-block; width: 10px; height: 10px; background-color: black; border-radius: 50%; margin-right: 5px;"></span> Matte Black</li> <li><span style="display: inline-block; width: 10px; height: 10px; background-color: white; border-radius: 50%; margin-right: 5px; border: 1px solid black;"></span> White</li> </ul>		

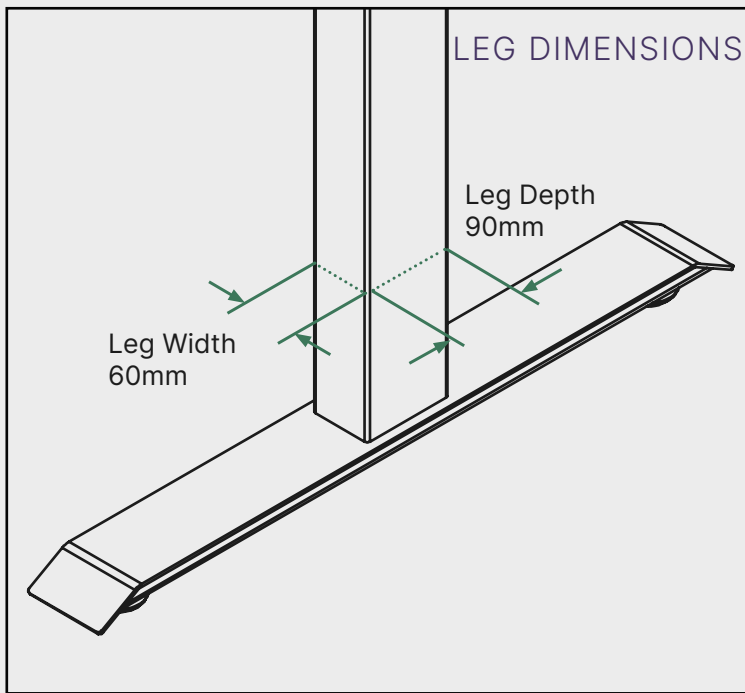
### SIDE BRACKET DIMENSIONS



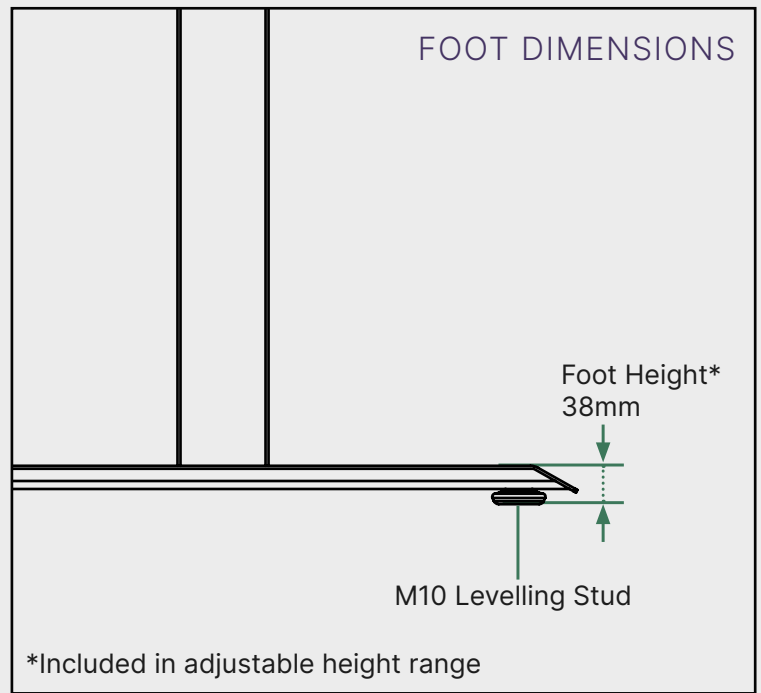
### CROSS BAR DIMENSIONS



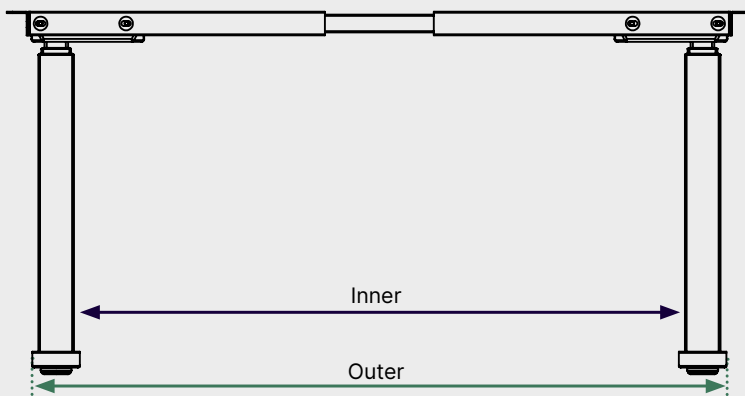
### LEG DIMENSIONS



### FOOT DIMENSIONS



### STANDARD LEG SPACING GUIDE



Desktop Size	Inner Leg Spacing	Outer Leg Spacing
<b>1200mm</b>	934.8mm	1074.8mm
<b>1500mm</b>	1198.8mm	1318.8mm
<b>1800mm</b>	1393.8mm	1513.8mm
<b>2000mm*</b>	1393.8mm	1513.8mm
<b>2000mm</b>	1598.9mm	1718.8mm

**\*With Integrated Cable Management Channel**