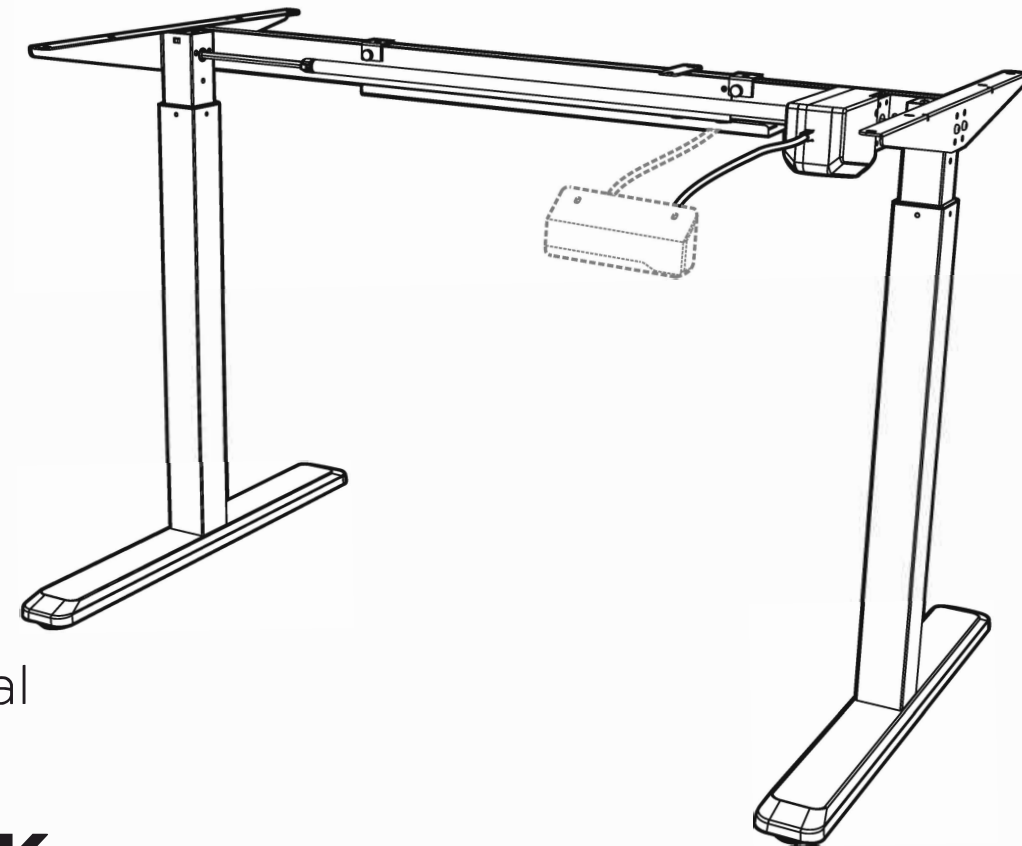


**EAZY
DESK**

Instruction Manual

**SINGLE SIT
STAND DESK**



Preface

This electric height adjustable standing desk consists of a heavy-duty steel desk frame and a motorized height adjustment system. Please read and completely understand this manual before installation in order to make sure the safe and correct use of the system and maintain the longevity of the overall construction and the built-in electronics.

SAFETY INSTRUCTIONS AND WARNINGS

- Any failure to comply with the safety and installation instructions in this manual may cause serious bodily injury.
- Any incomplete observation of the instructions, warnings and additional information marked with the "Note" and "⚠" may result in serious damage to the system or its components.
- This product must not be used by children
- Users should make sure that they never sit on the desktop in order to prevent serious bodily injury.



ELECTRICAL SAFETY GUIDELINES

The product is powered by electricity. In order to avoid burns, fire and electric shock, please read the instructions carefully.



Don't clean the product with water while the power is still connected.



Never operate the system if it's in moist environment or its electrical components have contact with liquids.



Don't disassemble or replace components while the power is still connected.



Don't operate the system if the control box makes noise or odor. Alterations of the given power unit and control box aren't allowed.



Never operate the system with a damaged cord or plug. Please contact Eazy Desk to replace the damaged parts.

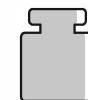


OTHER SAFETY INSTRUCTIONS

- Clear up all obstacles within the height adjustment range.
- Don't leave the cords or plug unorganized in order to prevent tripping hazards.
- Any attempts to reconstruct the desk frame aren't allowed.
- Don't add anything to the adjustable junctions of the desk frame.
- Outdoor use is prohibited.

Preparation

1 Important specifications



Weight Capacity
80kg (176lbs)

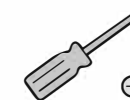


Power Input
(100-240V)

2 Required tools for assembly



Allen Key
(included)



Phillips Head
Screwdriver



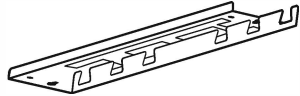
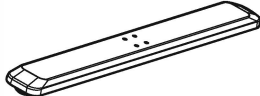
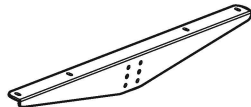
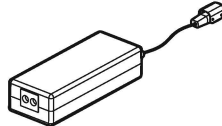

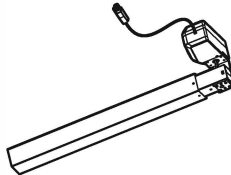
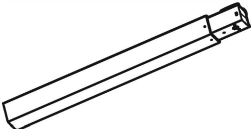


3 Things you need to know before assembly

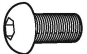



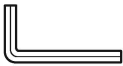
Please check all of the components shown in the component checklist. If any of the components are missing or damaged, contact Eazy Desk for a replacement.



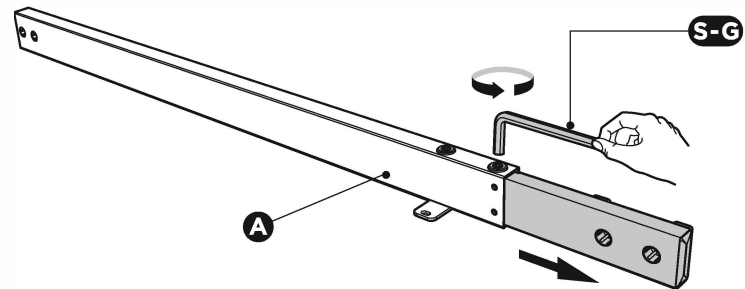
Disposal: The product with this mark indicates that this product shouldn't be disposed with other household wastes. To prevent possible harm to the environment or human health from uncontrolled waste disposal, recycle it responsibly to promote the sustainable reuse of material resources. To return your used device, please use the local recycle service or contact your point of purchase to withdrawn the product.

Checklist And Installation

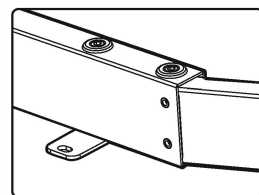
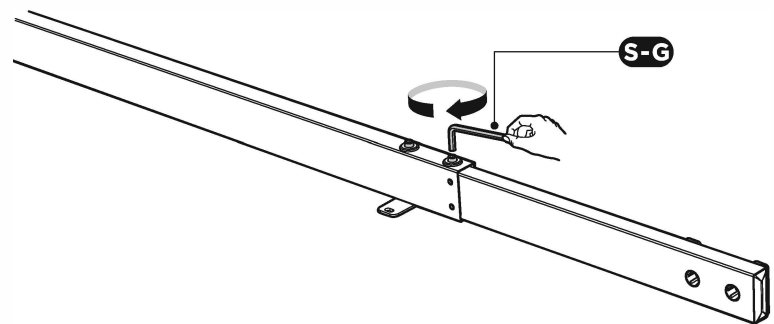
 <p>A (x1) Crossbar</p>	 <p>B (x2) Sync Rod</p>	 <p>C (x1) Cable Management Tray</p>	 <p>D (x2) Foot</p>
 <p>E (x2) Side Bracket</p>	 <p>F (x1) AC Adapter</p>	 <p>G (x2) Hook</p>	 <p>H (x1) Lifting Column</p>
 <p>I (x1) Lifting Column</p>	 <p>J (x1) Power Plug</p>	 <p>K (x1) Hand Controller</p>	

 <p>S-A (x28) Hex Head Screw</p>	 <p>S-B (x10) Phillips Head Screw + 1 Spacer</p>
 <p>S-D (x4) Phillips Head Screw for Cable Rack</p>	 <p>S-E (x3) Cable Clip</p>
 <p>S-G (x1) Allen Key</p>	

1 Assembling The Frame

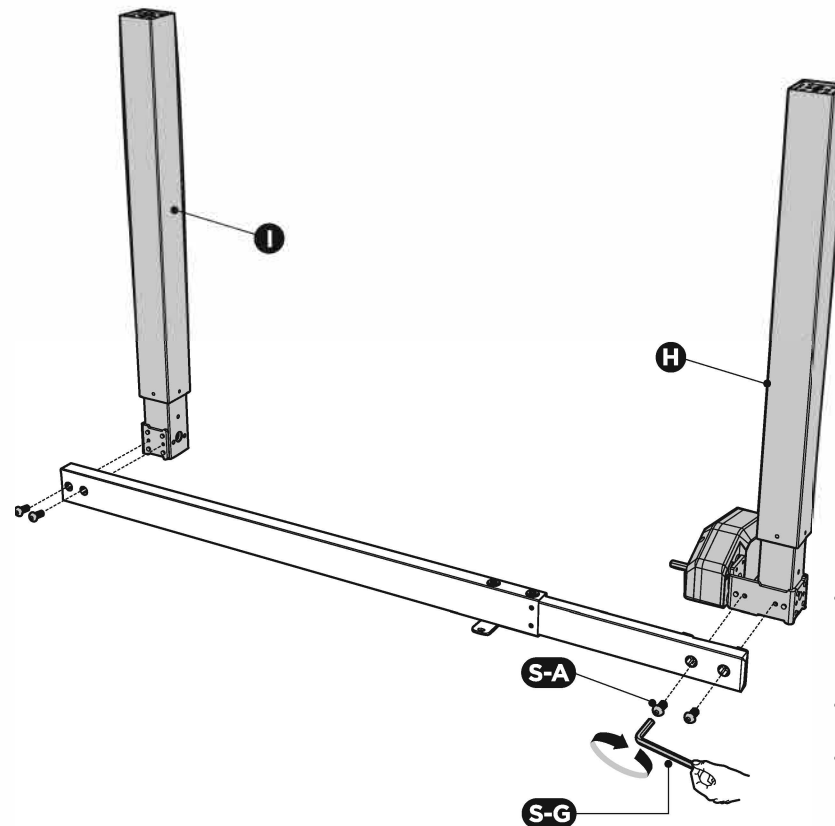


- Please prepare a spacious area for installation
- Loosen the hex head screws that fix the adjustable junction, but don't completely take out the screws.



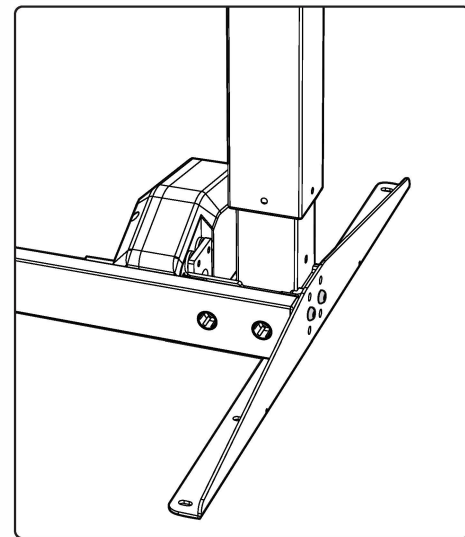
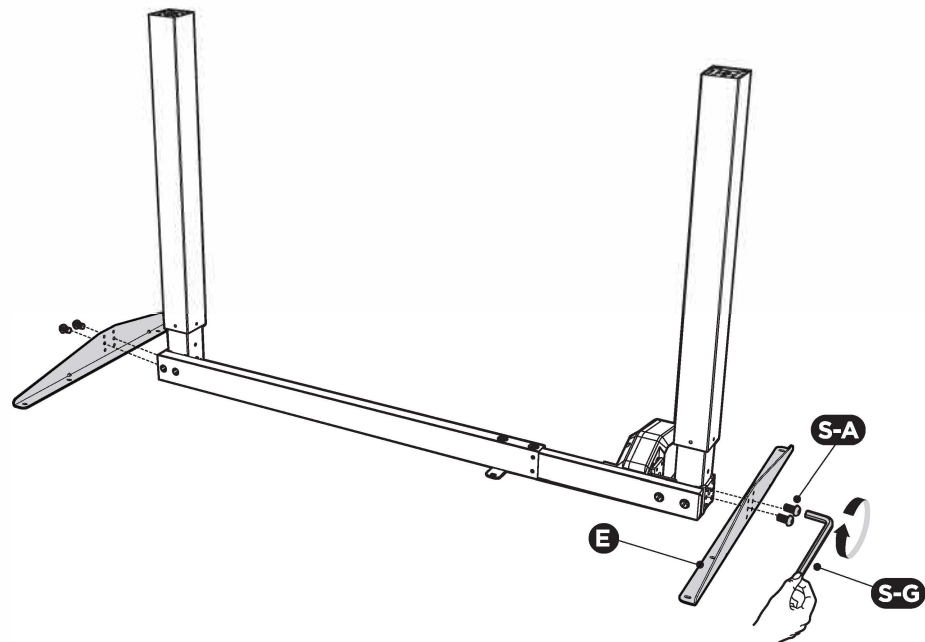
Do not retighten all the hex head screws until the frame is fixed to the desktop

2 Assembling The Lifting Columns



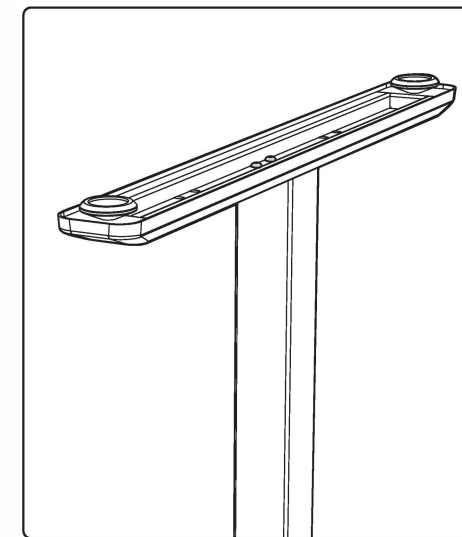
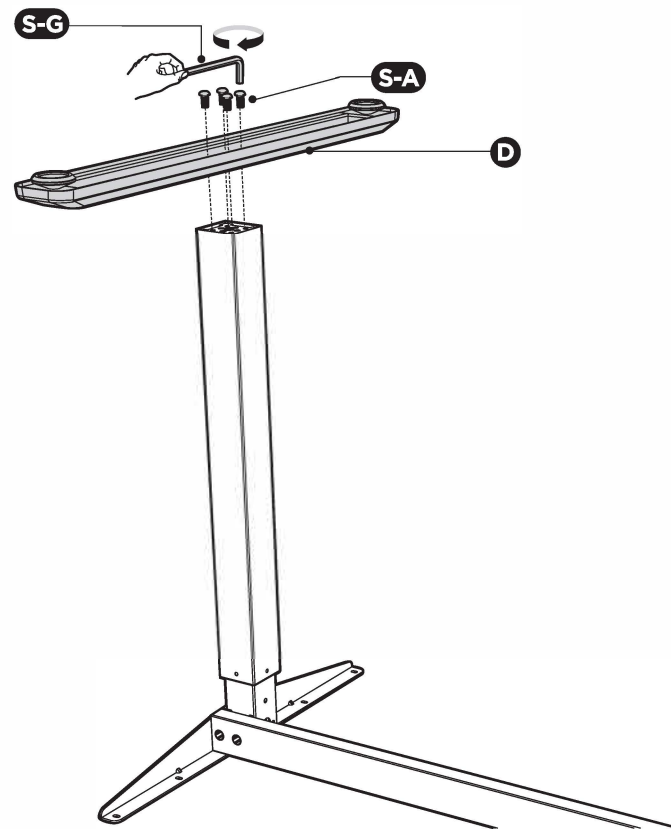
- Insert one lifting column into one end of the crossbar with the head of the lifting column facing inward. Make sure the mounting holes on the lifting column completely align with the screw holes on the crossbar.
- Fix the lifting column (H) / (I) with crossbar using 2 screws (S-A) with the Allen wrench (S-G).
- Repeat the same process to assemble the other lifting column.

3 Installing the Side Brackets



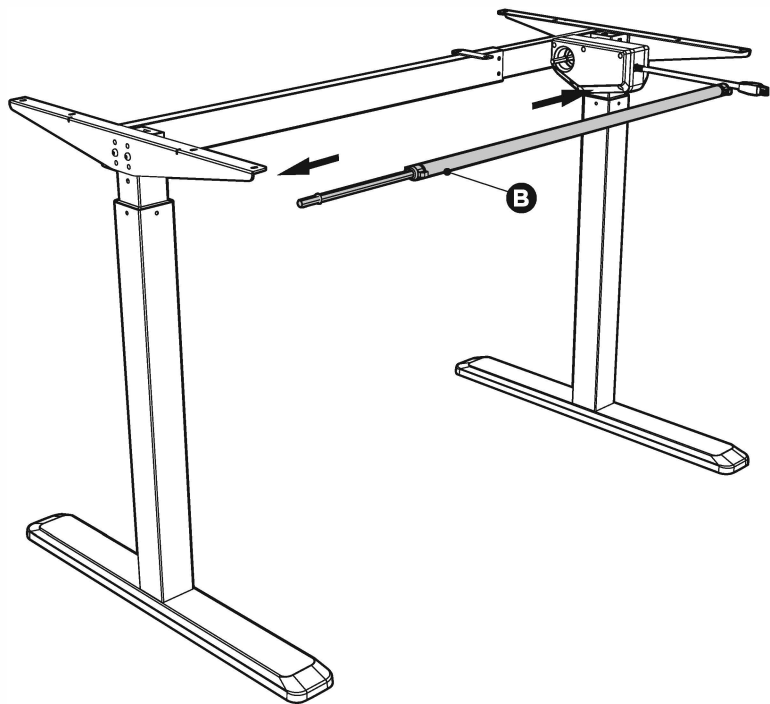
- Attach the **side brackets E** to the end of the crossbar using the **2 screws S-A** as shown with the **Allen wrench S-G**.
- Repeat the same process to assemble the other side bracket.

4 Installing the Feet



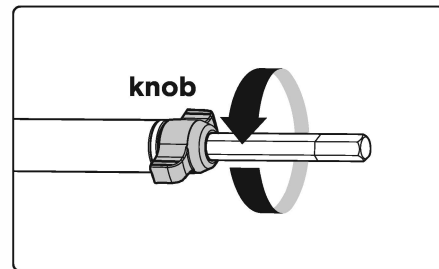
- Place the foot on the bottom of the lifting column. Align the mounting holes on the foot with the screw holes on the lifting column.
- Fix the **foot D** using **4 screws S-A** with the **Allen wrench S-G**.
- Repeat the same process to assemble the other foot.

5 Assembling the Sync Rod

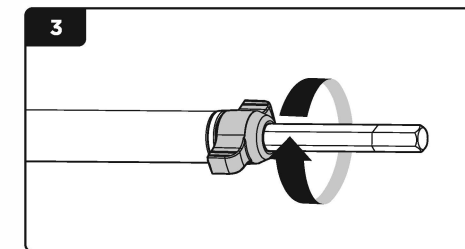
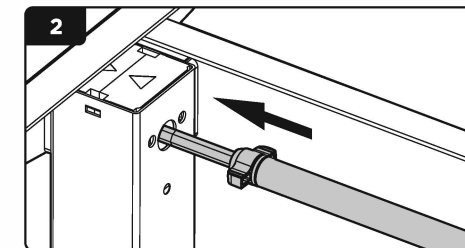
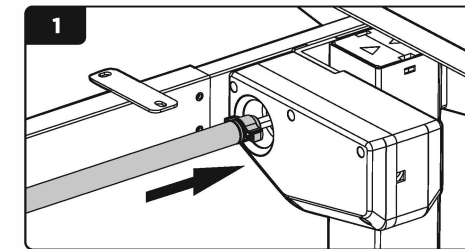
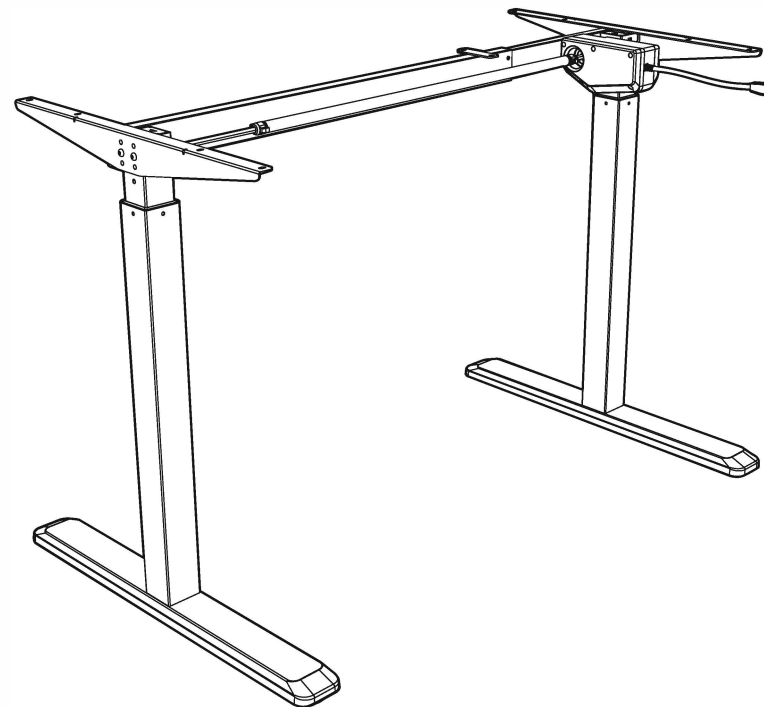


- Turn over the desk frame with the crossbar facing up. **At least two people** are required when turning over the desk frame.
- With the frame positioned upright, turn the knob as shown counterclockwise to loosen the **sync rod B**.
 - Adjust the sync rod to match the frame's width then.

MAX FRAME WIDTH 1615mm
MIN FRAME WIDTH 1058

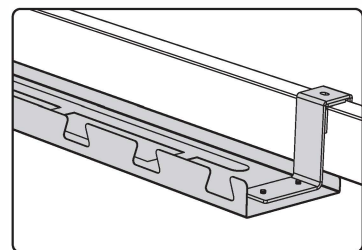
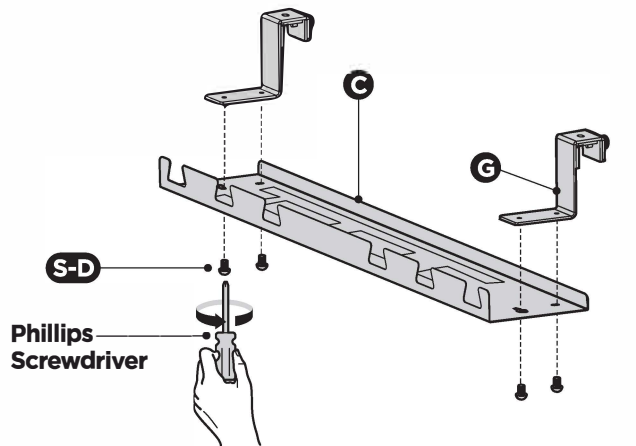
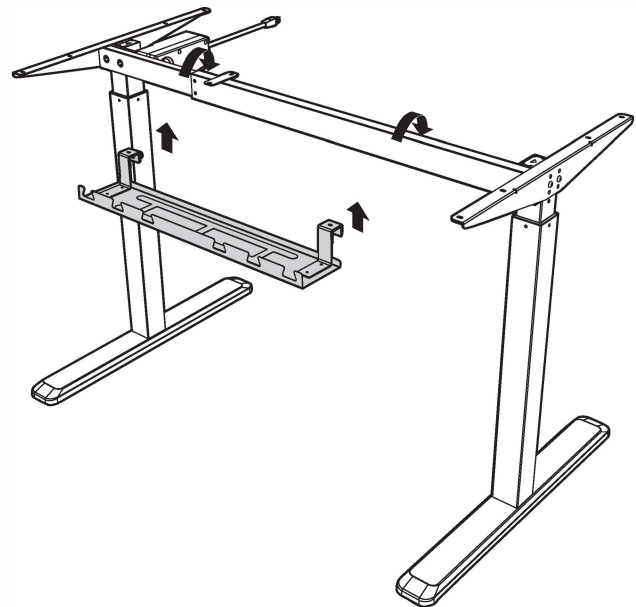


- Install the sync rod as shown below make sure it is firmly in and retighten the knob
- Match the red line on the sync rod with the right side of left leg. Match the right side of the right knob of the sync rod with the red line on the rod of the gearbox.
- Retighten the sync rod by using the knob.

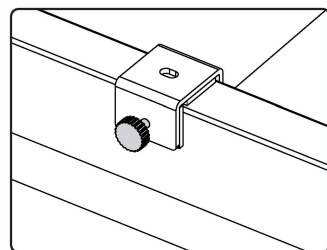


6 Assembling the Cable Management Tray

Align the mounting holes on the tray hangers with the screw holes on the cable management tray. Assemble the tray hangers to the **cable management tray C** with **4 screws S-D** from below using a **Phillips screwdriver**.



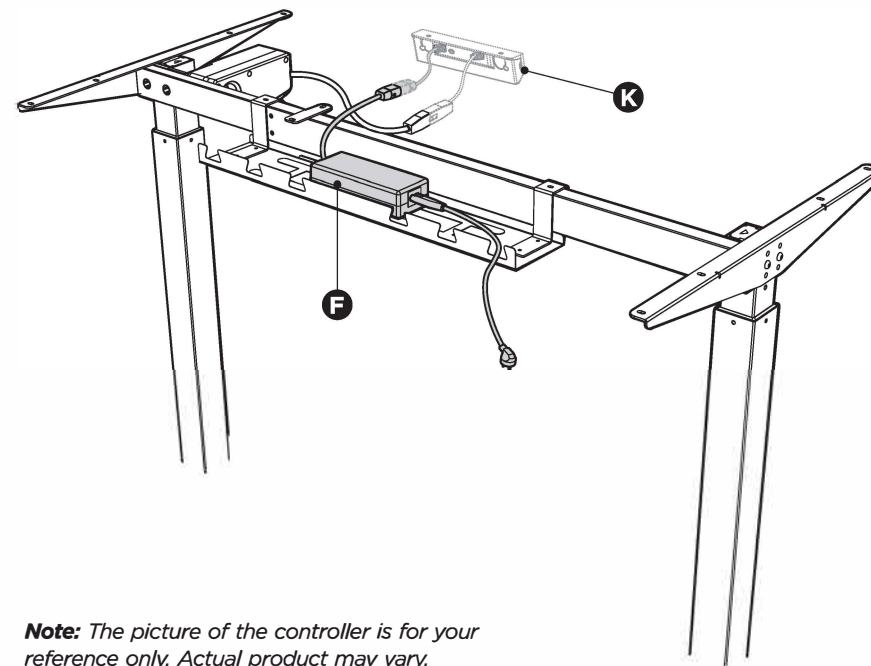
Hang the cable management tray on the crossbar as shown.



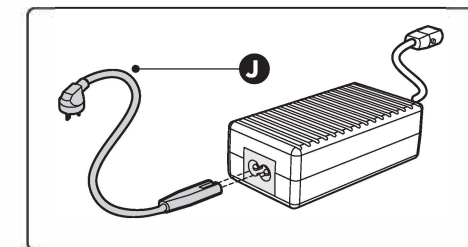
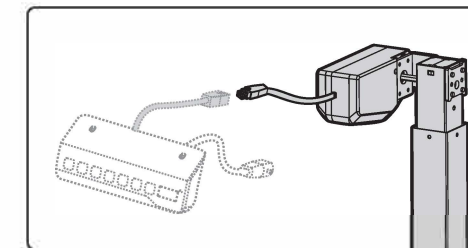
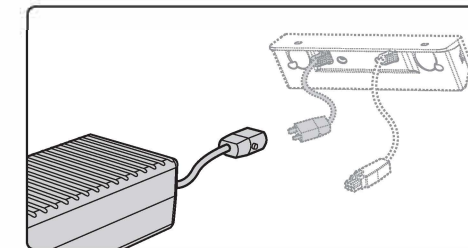
Tighten the knobs on the tray hangers.

7 Connecting Cords and Attaching the AC Adapter

- Connect the **AC adapter F** with **controller K**.
- Connect the controller with lifting column.
- Insert the **power plug J** into the AC adapter.

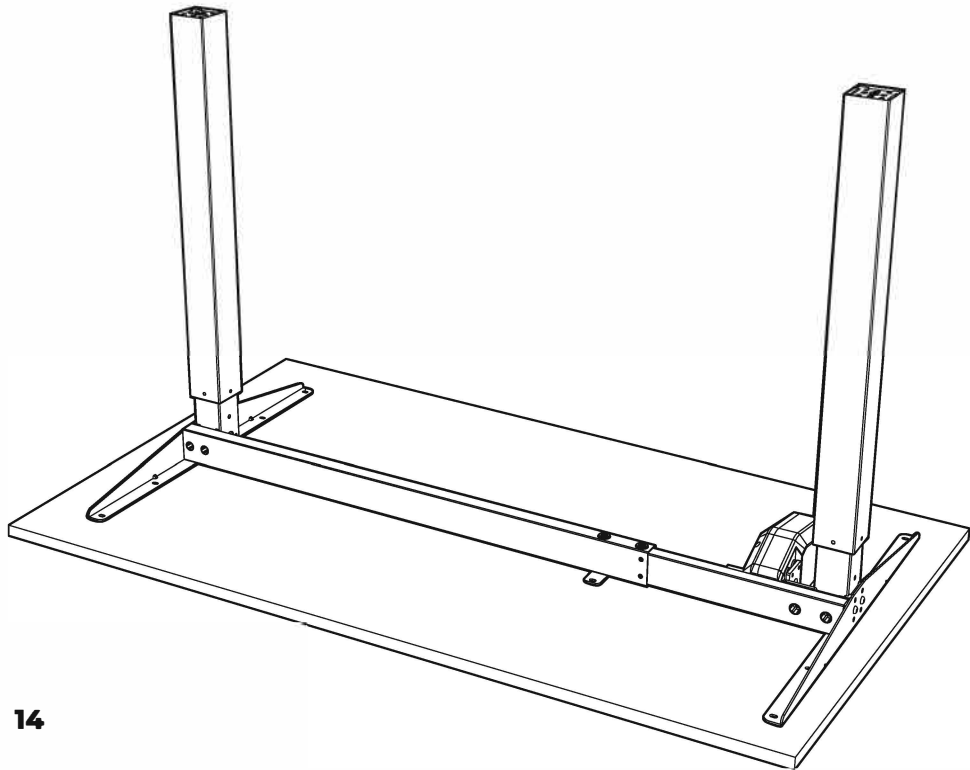


Note: The picture of the controller is for your reference only. Actual product may vary.



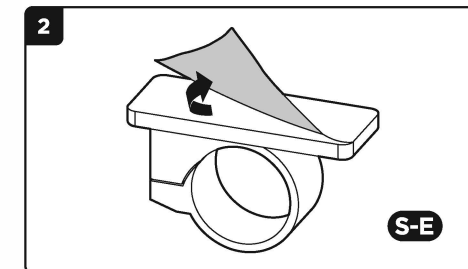
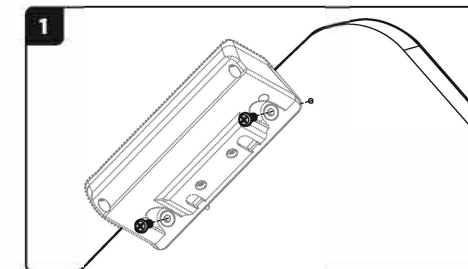
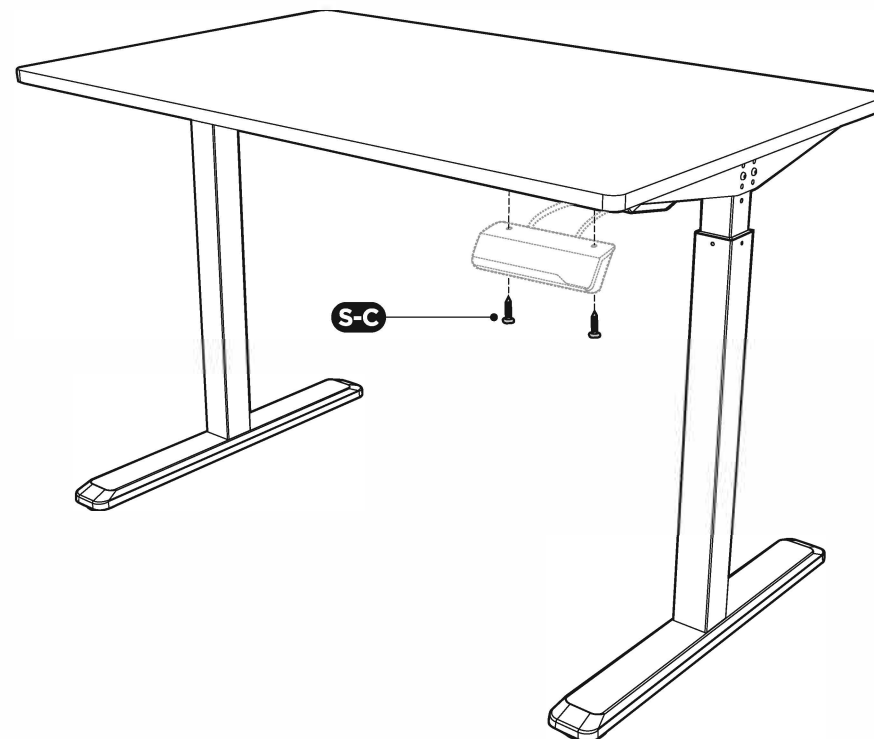
8 Assembling the Desktop

- Align the screw holes previously drilled on the desktop with the mounting holes on the crossbar.
- Insert and tighten **10 Phillips Head Screws S-B** or **10 Hex Head Screws S-F** to the exact desktop you are owned.

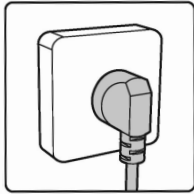


14

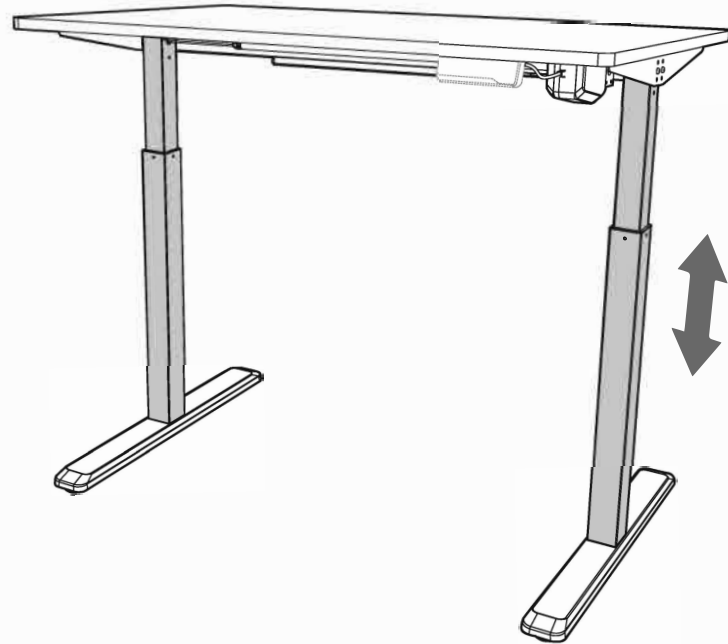
- Attach the controller to the desktop with **2 screws S-C**
- Stick the adhesive **clip S-E** under desk to organize cords.



15



Connect the desk to power.
You can now use the sit-stand desk.



Note: We have another manual of the digital controller for detailed instruction. Please check the Digital Control Panel For Electric Height Adjustable Desk User Guide.

**EAZY
DESK**

Eazy Desk
www.eazydesk.com.ph
sales@eazydesk.com.ph