

EB137CD

| | | |
|-----------|---------------------------------------|---|
| en | Original operating instructions | 2 |
|-----------|---------------------------------------|---|

Contents

| | |
|------------------------------|----|
| Symbols used in this manual | 2 |
| Symbols on the power tool | 2 |
| For your safety | 3 |
| Technical specifications | 7 |
| Overview | 8 |
| Instructions for use | 9 |
| Tips on lawn care | 13 |
| Maintenance and care | 14 |
| Guarantee | 15 |
| CE-Declaration of Conformity | 16 |

Symbols used in this manual

WARNING!

Denotes impending danger. Non-observance of this warning may result in death or extremely severe injuries.

CAUTION!

Denotes a potentially dangerous situation. Non-observance of this warning may result in injury or damage to property.

NOTE

Denotes application tips and important information.

Symbols on the power tool



General safety warning!



Before switching on the power tool, read the operating manual!



Remove the safety key before carrying out any work on the unit and before leaving the unit.



Keep third parties away from the danger area! Always maintain a safe distance from the garden tool when it is working!



Ejected objects and rotating parts can cause serious injuries.



CAUTION! Sharp cutting tool! Keep hands and feet away from the cutter bar!



CAUTION! The device must not be operated without a protective hood (discharge flap) and a grass catcher.



Protect the device from rain and do not leave it outdoors in the rain!



The guaranteed sound power level is 96 dB.



Disposal information (See page 14)!



Direct current (DC)

For your safety

WARNING!

Before using the garden tool, read and follow:

- these operating instructions,
- the user instructions of associated/supplied accessories (charger, battery),
- the currently valid site rules and the regulations for the prevention of accidents.

User

This garden tool is not intended for use by persons (including children) with reduced physical, sensory or mental capabilities, or lack of experience and knowledge, unless they have been given supervision or instruction concerning use of the machine by a person responsible for their safety.

Never allow children or people unfamiliar with these instructions to use the garden tool.

Supervise children. This will ensure that children do not play with the unit.

Intended use

This garden tool is intended exclusively

- to mow the lawns in the private sector,
- according to the descriptions and safety instructions indicated in this operating manual.

Any other use is not as intended. Improper use is not covered by the warranty and the manufacturer will reject any liability. The user is liable for all injuries to third parties and damage to their property.

Operate the unit only in the technical condition as stipulated and delivered by the manufacturer.

Arbitrary changes to the unit will exclude the manufacturer from any liability for resulting injury and/or damage.

General Power Tool Safety Warnings

WARNING!

Read all safety warnings and all instructions. Failure to follow the warnings and instructions may result in electric shock, fire and/or serious injury. **Save all warnings and instructions for future reference.**

The term “power tool” in all of the warnings refers to your mains-operated (corded) power tool or battery-operated (cordless) power tool.

Work area safety

- **Keep work area clean and well lit.** Cluttered and dark areas invite accidents.
- **Do not operate power tools in explosive atmospheres, such as in the presence of flammable liquids, gases or dust.** Power tools create sparks which may ignite the dust or fumes.
- **Keep children and bystanders away while operating a power tool.** Distractions can cause you to lose control.

Electrical safety

- **Power tool plugs must match the outlet.** Never modify the plug in any way. **Do not use any adapter plugs with earthed (grounded) power tools.** Unmodified plugs and matching outlets will reduce risk of electric shock.
- **Avoid body contact with earthed or grounded surfaces, such as pipes, radiators, ranges and refrigerators.** There is an increased risk of electric shock if your body is earthed or grounded.
- **Do not expose power tools to rain or wet conditions.** Water entering a power tool will increase the risk of electric shock.
- **Do not abuse the cord. Never use the cord for carrying, pulling or unplugging the power tool. Keep cord away from heat, oil, sharp edges and moving parts.** Damaged or entangled cords increase the risk of electric shock.
- **When operating a power tool outdoors, use an extension cord suitable for outdoor use.** Use of a cord suitable for outdoor use reduces the risk of electric shock.

- If operating a power tool in a damp location is unavoidable, use a residual current device (RCD) protected supply. Use of an RCD reduces the risk of electric shock.

Personal safety

- Stay alert, watch what you are doing and use common sense when operating a power tool. Do not use a power tool while you are tired or under the influence of drugs, alcohol or medication. A moment of inattention while operating power tools may result in serious personal injury.
- Use personal protective equipment. Always wear eye protection. Protective equipment such as dust mask, non-skid safety shoes, hard hat, or hearing protection used for appropriate conditions will reduce personal injuries.
- Prevent unintentional starting. Ensure the switch is in the off-position before connecting to power source and/or battery pack, picking up or carrying the tool. Carrying power tools with your finger on the switch or energising power tools that have the switch on invites accidents.
- Remove any adjusting key or wrench before turning the power tool on. A wrench or a key left attached to a rotating part of the power tool may result in personal injury.
- Do not overreach. Keep proper footing and balance at all times. This enables better control of the power tool in unexpected situations.
- Dress properly. Do not wear loose clothing or jewellery. Keep your hair, clothing and gloves away from moving parts. Loose clothes, jewellery or long hair can be caught in moving parts.
- If devices are provided for the connection of dust extraction and collection facilities, ensure these are connected and properly used. Use of dust collection can reduce dust-related hazards.

Power tool use and care

- Do not force the power tool. Use the correct power tool for your application. The correct power tool will do the job better and safer at the rate for which it was designed.

- Do not use the power tool if the switch does not turn it on and off. Any power tool that cannot be controlled with the switch is dangerous and must be repaired.
- Disconnect the plug from the power source and/or the battery pack from the power tool before making any adjustments, changing accessories, or storing power tools. Such preventive safety measures reduce the risk of starting the power tool accidentally.
- Store idle power tools out of the reach of children and do not allow persons unfamiliar with the power tool or these instructions to operate the power tool. Power tools are dangerous in the hands of untrained users.
- Maintain power tools. Check for misalignment or binding of moving parts, breakage of parts and any other condition that may affect the power tool's operation. If damaged, have the power tool repaired before use. Many accidents are caused by poorly maintained power tools.
- Keep cutting tools sharp and clean. Properly maintained cutting tools with sharp cutting edges are less likely to bind and are easier to control.
- Use the power tool, accessories and tool bits etc. in accordance with these instructions, taking into account the working conditions and the work to be performed. Use of the power tool for operations different from those intended could result in a hazardous situation.

Battery tool use and care

- Recharge only with the charger specified by the manufacturer. A charger that is suitable for one type of battery pack may create a risk of fire when used with another battery pack.
- Use power tools only with specifically designated battery packs. Use of any other battery packs may create a risk of injury and fire.
- When battery pack is not in use, keep it away from other metal objects, like paper clips, coins, keys, nails, screws or other small metal objects, that can make a connection from one terminal to another. Shorting the battery terminals together may cause burns or a fire.

- Under abusive conditions, liquid may be ejected from the battery; avoid contact. If contact accidentally occurs, flush with water. If liquid contacts eyes, additionally seek medical help. Liquid ejected from the battery may cause irritation or burns.

Service

- Have your power tool serviced by a qualified repair person using only identical replacement parts. This will ensure that the safety of the power tool is maintained.

Safety instructions for lawnmower

General safety instructions

- To ensure your safety and for the safety of others, read this operating manual and its safety instructions before using the device. Please keep the operating manual and its safety instructions safe for subsequent use and always have them ready to hand.
- If the unit changes ownership, hand over the operating manual with the unit.
- Persons who operate the unit must not be under the influence of intoxicants (e.g. alcohol, drugs or medication).
- Operate the unit only in the technical condition stipulated and delivered by the manufacturer. Unauthorised changes to the unit exclude liability of the manufacturer for any resulting damage and/or injury.
- Use the unit only in daylight or in good artificial lighting.
- Use the unit in dry conditions only. Protect it from rain and moisture. The ingress of water into the unit increases the risk of an electric shock.
- Switch the unit off and remove the safety key under the following conditions:
 - if the unit is left unattended;
 - before checking, cleaning or performing other work on the unit;
 - before removing blockages;
 - if a foreign object is hit; Check the lawnmower for damage, and have any damage repaired at a qualified technician or a service centre.
 - if the unit starts vibrating excessively.

Before starting the unit

- Before starting work, familiarise yourself with the unit and its functions as well as its controls.
- Inspect the lawnmower before switching it on and check for signs of wear and damage. Never use the lawnmower with damaged or missing guards, e.g. discharge flap and/or grass catcher, housing, etc. Have damage repaired by a qualified technician or the service centre.
- Do not use a unit which has a defective switch and can no longer be switched on or off.
- When working with or on the unit, always wear sturdy footwear and long trousers. Do not operate the unit when barefoot or wearing sandals.
- Check the terrain on which the unit will be used and remove any all stones, sticks, wires, bones and other foreign objects, which could be picked up by the unit, to avoid endangering people.

When using the unit

- Do not switch on the unit if there are persons (particularly children) or animals in the immediate vicinity. Ensure that children do not play with the unit.
- Interrupt working if you notice that persons (particularly children) or pets are nearby.
- Working on steep slopes can be dangerous.
 - Ensure that you have a firm footing and mow slowly.
 - Always mow across the slope and not up and down.
 - Be particularly careful when changing direction. There is a risk of tripping!
 - Do not mow on steep slopes.
- Be particularly careful when mowing backwards and pulling the lawnmower towards yourself.
- Do not tilt the lawnmower when switching on the motor.
- Maintain a safe distance as provided by the handle frame.

- Do not switch on the motor until your feet are at a safe distance from the cutter bar.
- Be careful and do not reach into the rotating cutter bar.
- Switch the lawnmower off before tilting or transporting it, e.g. from/to lawn or over paths.
- Never run over gravel while the motor is running. There is a risk of being hit by stones!
- Before lifting or transporting the lawnmower, switch the motor off, pull out the safety key and wait until the cutter bar has come to a standstill.
- Do not adjust the cutting height until the motor has been switched off and the cutter bar has come to a standstill.
- Never open the discharge flap while the motor is running.
- Before removing the grass catcher, switch the motor off and wait until the cutter bar has come to a standstill. After emptying the grass catcher, carefully re-attach it and ensure that the grass catcher is attached securely to the lawnmower.
- If possible, do not mow wet grass.
- Do not work with the garden tool in a potentially explosive environment in which there are flammable liquids, gases or dust. The unit may generate sparks which could ignite the dust or the vapours.
- When interrupting work, never leave the unit unattended and keep it in a safe place.

After using the unit

- Switch the unit off, remove the safety key and then place the unit in a safe location.
- Do not keep the unit within the reach of children.
- Ensure that the ventilation slots in the unit are clean.
- Keep all nuts, bolts and screws tight to be sure that the lawnmower is in safe working condition.
- Check the grass catcher frequently for wear or damages.

- Use only the cutter bar, which are intended for this lawnmower.
- Spare parts must conform with the requirements specified by the manufacturer. Therefore use original spare parts only or spare parts authorised by the manufacturer. When replacing parts, please follow the supplied installation instructions and remove the battery beforehand.
- Have repairs carried out exclusively by a qualified technician or a service centre.

Safety instructions for the battery charger

- **Keep the battery charger away from rain or moisture.** Penetration of water in the battery charger increases the risk of an electric shock.
- **Keep the battery charger clean.** Contamination can lead to danger of an electric shock.
- **Before each use, check the battery charger, cable and plug. If damage is detected, do not use the battery charger. Never open the battery charger yourself. Have repairs performed only by a qualified technician and only using original spare parts.** Damaged battery chargers, cables and plugs increase the risk of an electric shock.
- **Do not place any objects on the battery charger and do not place the battery charger on soft surfaces.** There is a risk of fire.
- **Always check that the mains voltage matches the voltage indicated on the rating plate of the battery charger.**
- **Never use the charger if cable, plug or the unit itself has been damaged by external influences.** Take the charger to the nearest service centre.
- **Never open the battery charger.** If the battery charger is defective, take it to a service centre.

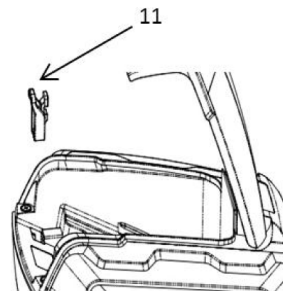
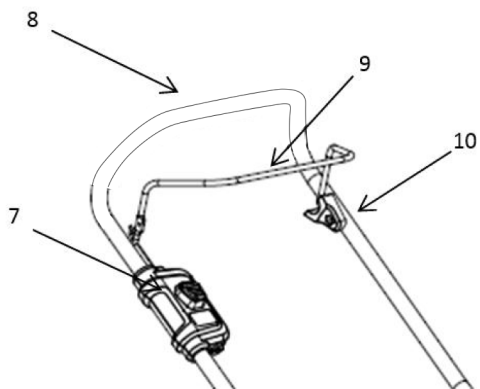
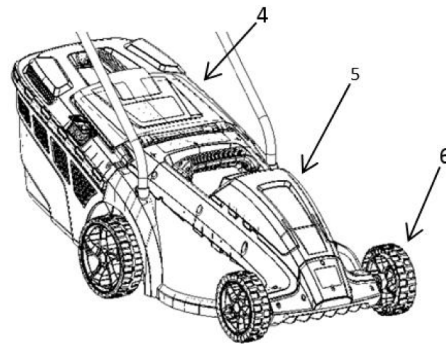
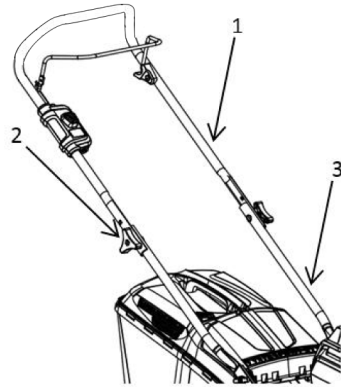
Safety instructions for Li-ion batteries

- **Do not open the battery.**
There is a risk of a short-circuit.
- **Protect the battery from heat, e.g. from continuous exposure to sunlight, fire, water and humidity.**
There is a risk of explosion.
- **In case of damage and improper use of the battery, vapours may be emitted.** Ventilate the area and seek medical help in case of complaints. The vapours can irritate the respiratory system.
- **Under abusive conditions, liquid may be ejected from the battery; avoid contact. If contact accidentally occurs, flush with water. If liquid contacts eyes, immediately seek medical help.**
Liquid ejected from the battery may cause irritation or burns.
- **Use only original batteries with the voltage indicated on the rating plate of your electric power tool.** If other batteries are used, e.g. imitations, reconditioned batteries or third-party products, there is a risk of injuries as well as damage caused by exploding batteries.
- **The battery voltage must match the battery charging voltage of the battery charger.**
Otherwise there is a risk of fire and explosion.
- **Recharge only with the charger specified by the manufacturer.** A charger that is suitable for one type of battery pack may create a risk of fire when used with another battery pack.
- **Pointed objects, such as nails or screwdrivers, or external forces may damage the battery.** This may cause an internal short-circuit and the battery to burn, smoke, explode or overheat.

Technical specifications

| Appliance | | Lawnmower | |
|--|-------|------------|-------|
| Type | | EB137CD | |
| Nominal voltage | | V \equiv | 40 |
| Battery type | EB20B | Ah | 2.0 |
| Cutting width | | mm | 370 |
| Cutting height | | mm | 25-75 |
| Capacity grass catcher | | l | 40 |
| Idle speed | | rpm | 4000 |
| Sound power level L_{wA} | | dB(A) | 96 |
| Weight according to "EPTA Procedure 01/2003" (without battery) | | kg | 14.5 |
| Weight battery | EB20B | kg | 0.7 |

Overview



- 1 Upper handle
- 2 Handle knob and bolt
- 3 Lower handle
- 4 Grass catcher
- 5 Battery
- 6 Wheels

- 7 Switch interlock
- 8 Handrail
- 9 On/off Lever
- 10 Lever nut
- 11 Safety key

* Optional. Depending on delivery scope.

Instructions for use

Before initial operation

Unpack the garden tool and accessories and check that no parts are missing or damaged.

NOTE

The batteries (optional; depending on delivery scope) are not fully charged on delivery. Prior to initial operation, charge the batteries fully. See user manual of the battery charger.

Safety key



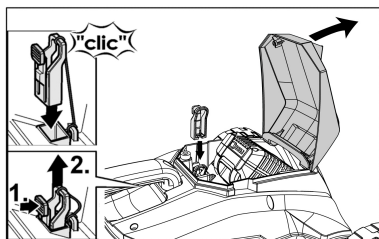
The unit has a security key.
The key is located under the battery cover.

By removing the key, the power supply to the motor is interrupted.

WARNING! Remove the safety key:


- if the unit is left unattended;
- before checking, cleaning or performing other work on the unit;
- before removing blockages;
- if a foreign object is hit.; Check the lawnmower for damage, and have any damage repaired at a qualified technician or a service centre.
- if the unit starts vibrating excessively.

- To remove the key press the lock (1.) and pull out the safety key (2.).




- To insert the safety key press down the key until it clicks.

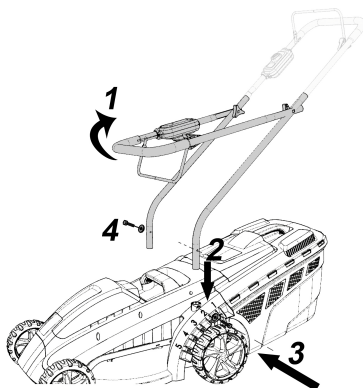
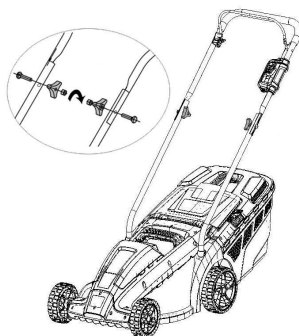
Assembling

 **WARNING!**
Before performing any work on the garden tool, remove the safety key.

Attaching the handlebar

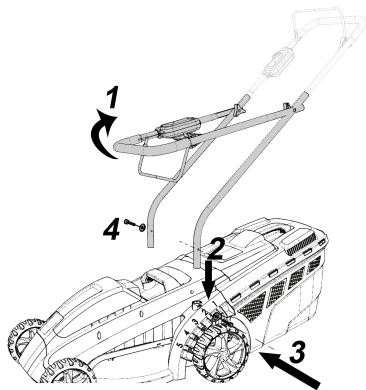
 **CAUTION!**
When collapsing or unfolding the handlebar, the cable may be damaged. Ensure that the cable is not kinked.

- Unfold the upper handlebar upwards(1).
And tighten the knobs between the upper and lower handlebars as illustrated.



- Insert the lower handle into the slot(2).

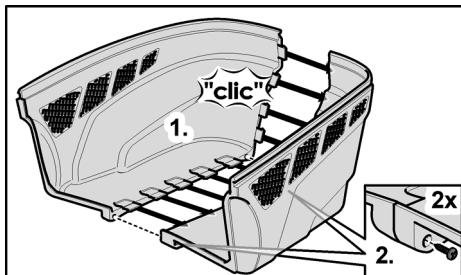
- Align the holes on the handlebar and the machine. Insert the bolts through the holes and tighten up (3, 4).



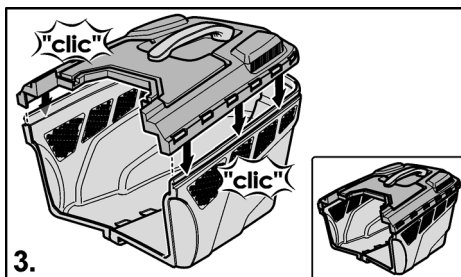
- Attach the cable with the two cable clamps.

Assembling the grass catcher

- Insert the two lower parts together until it clicks (1.).
- Turn in the two screws at the bottom (2.).

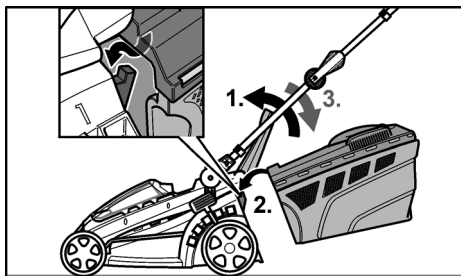


- Put on the upper part and press it together until it clicks (3.).



Attaching the grass catcher

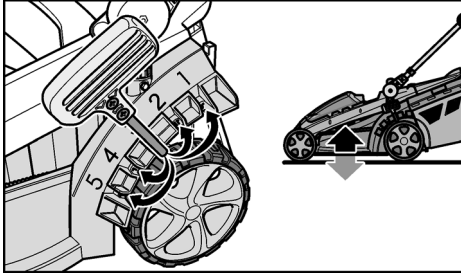
- Lift the discharge flap (1.).
- Hook the grass catcher bag into the lawnmower (2.).
- Fold the discharge flap down again (3.).



Adjusting the cutting height

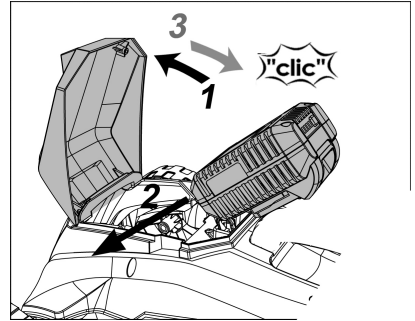
The cutting height can be varied in 5 steps from 25 mm (1) to 75 mm (5) with the cutting height adjustment.

- Pull the handle outwards slightly.
- Set the required cutting height.
- Release the lever again.

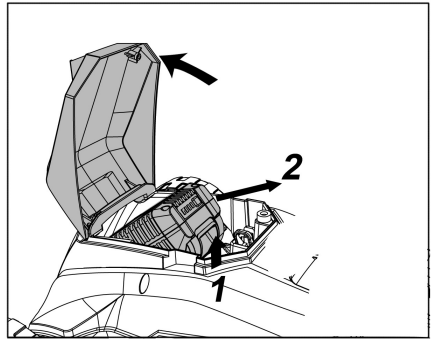


Inserting/replacing the battery

- Charging the battery as described in the user manual of the charger.
- Open the battery cover (1.)
- Press the charged battery into the power tool until it clicks into place (2.).
- Close the battery cover (3.)



- To remove, press the release button (1.) and pull out the battery (2.).



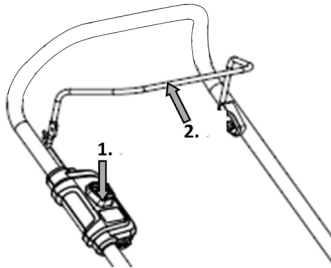
CAUTION!

Protect the battery contacts when the battery is not being used. Loose metal parts may short-circuit the contacts – Explosion and fire hazard!

Switching on/off the power tool

Switching on

- Press the switch interlock and hold down (1).
- Pull back the the On/Off lever towards the handlebar (2). The motor runs.



Switching off

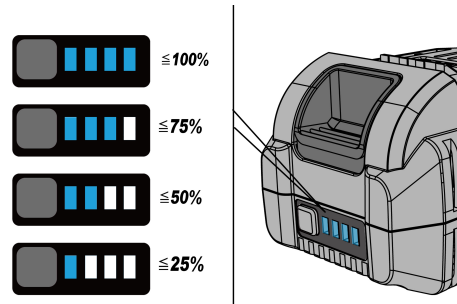
- Release the On/Off lever. The motor stops.

⚠ WARNING!

After release the On/Off lever, the cutter bar continues running briefly. Risk of injury!

Battery state of charge

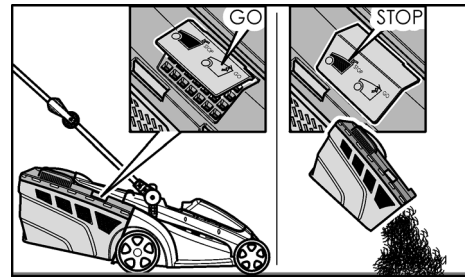
- Press the button to check the state of charge at the state of charge indicator LEDs.



The indicator goes out after 3 seconds. If the LED flashes, the battery must be recharged. If the LED not lights up after the button is pressed, the battery is faulty and must be replaced.

Removing and emptying the grass catcher

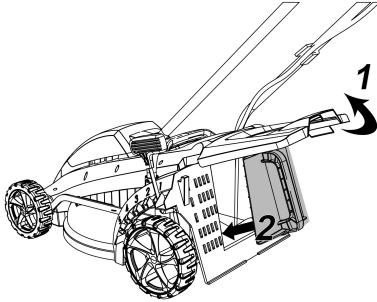
If clippings are left lying on the ground or if the level indicator on the grass catcher is closed (with the motor running), the grass catcher bag is full and should be emptied immediately.



- Switch the motor off.
- Wait until the cutter bar stops.
- Lift the discharge flap.
- Remove the grass catcher.
- Lower the discharge flap down again.
- Empty the grass catcher.
- Before hooking, remove any obstructions from the cutting area.

Working with the mulch plug

When you need to mulch, simply detach the grass catcher and attach the mulch plug as illustrated. The grass will be discharged downwards.



Tips on lawn care

Here are some tips to help you keep your lawn looking healthy and ensure uniform growth:

- Lawns consist of various grass types. Frequent mowing promotes the growth of grass, resulting in strong roots and a firm sward. If you seldom cut the grass, you will enhance the development of high-growing types of grass and other weeds, such as clover, daisies).
- The normal height of a lawn is approx. 4–5 cm. Only one third of the total height should be mown; therefore cut 7–8 cm long grass to normal height.
- Try not to cut the grass shorter than 4 cm, otherwise the lawn will suffer during dry periods.
- If the grass has grown particularly high (for example, during a holiday period), cut it back to its normal height in several stages.
- When mowing, always overlap the mown swaths slightly.

Maintenance and care

⚠ WARNING!

Before performing any maintenance and cleaning work on the garden tool, remove the battery.

Sharp cutting tool! Wear protective gloves.

Cleaning

Lawn mower

⚠ WARNING!

Do not use water or liquid detergents.

Whenever possible, always clean the unit directly after mowing.

- Remove the battery.
- Remove the grass catcher.
- After mowing, always clean the lawnmower with a hand brush.
- Remove grass residues carefully out of the cutting area. Remove stuck clipping deposits using a stick.
- Keep the ventilation slits clean and dust-free.

Grass catcher

- For thorough cleaning, the grass catcher can be cleaned with a hose.
- To ensure that the level indicator functions correctly, regularly clean the area under the level indicator on the inside of the grass catcher with a hand brush.

Replacing/regrinding the cutter bar

⚠ WARNING!

To protect against injury from the cutter bar, have a specialist garage perform all work such as replacing or regrinding the cutter bar (special tools required).

Spare parts must conform with the requirements specified by the manufacturer.

Therefore use original spare parts only or spare parts authorised by the manufacturer.

Repairs

Check the unit for damage. Repairs may be carried out by an authorised customer service centre only.

Storage

General informations

- Remove the safety key before storing.
- Store the unit in a dry and frost-free place (10-25 °C).
- Store the battery and the unit separately.
- Charge the battery before storing the unit in winter.
- Keep the unit, in particular its plastic components, away from brake fluids, petrol, petroleum products, penetrating oil, etc. They contain chemical substances which may damage, attack or destroy the plastic components of the unit.
- Fertilisers and other garden chemicals contain substances which may have a highly corrosive effect on the metal parts of the unit. Therefore do not store your unit near these substances.

Folding the lawnmower

CAUTION!

When collapsing or unfolding the handlebar, the cable may be damaged. Ensure that the cable is not over bent.

The handle bar can be folded down to facilitate storage and transport.

- Loosen the bolts and knobs on the upper handle and move the handle backwards.
- Repeat the process above for the lower handle.

Disposal information

WARNING!

Render redundant garden tools unusable:

- mains operated tool by removing the power cord,
- battery operated tool by removing the battery.



EU countries only:

Do not throw electric power tools into the household waste! In accordance with the European Directive 2012/19/EU on Waste Electrical and Electronic Equipment and transposition into national law used electric power tools must be collected separately and recycled in an environmentally friendly manner.



Recycling raw materials instead of waste disposal.

Device, accessories and packaging should be recycled in an environmentally friendly manner. Plastic parts are identified for recycling according to material type.

WARNING!

Do not throw accumulators/batteries into the household waste, fire or water.

Do not open disused batteries.

Accumulators/batteries should be collected, recycled or disposed of in an environmentally friendly manner.

EU countries only:

In accordance with Directive 2013/56/EU defective or used batteries must be recycled.



NOTE

Please ask your dealer about disposal options!

Guarantee

This product has been manufactured to the highest quality standards. When a new product is purchased, it is guaranteed a 24-month manufacturer's warranty which comes into force on the date the product was purchased. The guarantee covers only defects which can be attributed to a material and/or production fault as well as non-performance of warranted characteristics. When making a claim under the guarantee, enclose the original sales receipt with purchase date. Repairs under the guarantee may be carried out only by workshops or service centres authorised by the manufacturer.

A claim may be made under the guarantee only if the power tool has been used as intended.

This warranty is invalid where defects are caused by or result from:

- misuse, abuse or neglect;
- commercial use (industry, craft, rental)
- repairs attempted by unauthorized repair centers
- damage caused by external effects, foreign objects, substances or accidents.

CE-Declaration of Conformity

We hereby declare, that the following product in its design and construction put by us into circulation is in accordance with the appropriate basic safety and health requirements of the following directives (see item 4).

This declaration relates exclusively to the machinery in the state in which it was placed on the market and excludes components which are added and/or operations carried out subsequently by the final user.

1. Description:

Battery operated lawnmower

2. Type:

EB137C, EB137CD

3. Serial number:

4. Applicable EC Directives:

2006/42/EC, 2014/30/EU, 2000/14/EC & 2005/88/EC, 2011/65/EU

5. Used harmonized standards:

EN 60335-1, EN60335-2-77, EN 62233, EN ISO 3744, ISO 11094, EN55014-1, EN55014-2
2011/65/EU (ROHS) Directive

Test with reference to EN62321-1:2013, EN62321-2:2014, EN62321-3-1:2014,

EN62321-5:2014, EN62321-6:2015, EN62321-7:2015, EN62321-7-2:2017

6. Additional used EC directives:

2004/108/EC (until 19.04.2016), 2014/30/EU (from 20.04.2016), 2000/14/EC

7. Responsible for technical documents:

Lenny LU (General Manager)

Ningbo NGP Industry Co., Ltd

No. 88 Lane 666, Jinshan Road, C Zone Jiangbei Investment Center,

315020 Ningbo

People's Republic of China

8. Conformity assessment method

to 2000/14/EG, Annex V:

Measured sound pressure level 94.0 dB(A)

Guaranteed sound power level 96 dB(A)

Uncertainty K..... 3 dB

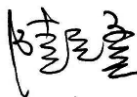
Notified Body for EC Directive 2000/14/EC:0036

TÜV Süd Industrie Service GmbH

Westendstraße 199

80686 München

Deutschland



Lenny Lu (General Manager)

18.03.2018

Ningbo NGP Industry Co., Ltd

No. 88 Lane 666, Jinshan Road, C Zone Jiangbei Investment Center,

315020 Ningbo

People's Republic of China