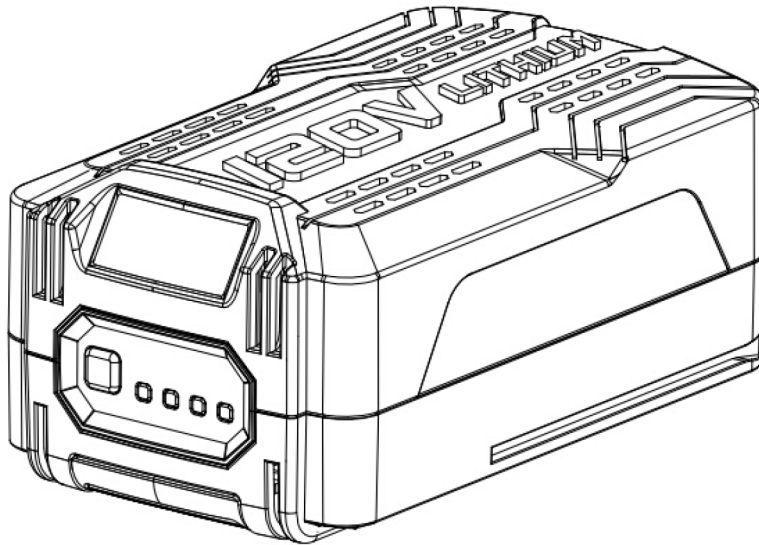




# redback

## 120V Lithium Ion Battery



**Model EA20/EA30**

## Operation Manual



This safety alert symbol identifies important safety messages in this manual. Failure to follow this important safety information may result in serious injury or death.



**redback**

For Service or Questions

***1-800-876-3009***

*[www.redbacktools.com](http://www.redbacktools.com)*

*email us at [support@redbacktools.com](mailto:support@redbacktools.com)*

# Operation

## Battery state of charge

Press the button next to the indicator LEDs to check the state of the battery charge. The indicator goes out after 5 seconds. If the LEDs flash, the battery must be recharged. If the red LED lights up after the button is pressed, the battery is faulty and must be replaced.

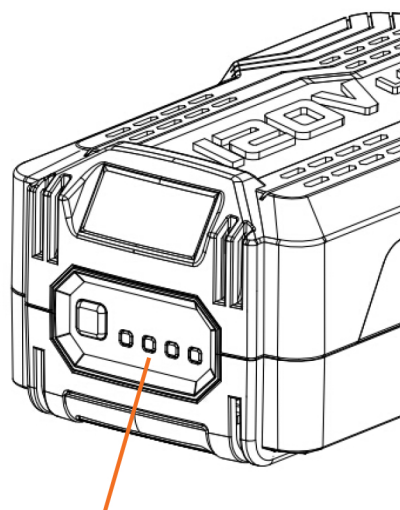
## Battery Life

Never charge batteries at temperatures below 32° F (0 °C) or above 104°F (40 °C). Do not charge batteries in an environment which has high air humidity or at a high ambient temperature. Do not cover batteries and/or the battery charger during the charging process. It is normal for the battery and charger to heat up during the charging process.

Lithium ion batteries do not exhibit the well known “memory effect”. However each battery should be fully recharged before use.

Follow the instructions for charging the battery in the operating instructions for the electric power tool and the battery charger. Reduced operating times after recharging indicates that the battery is worn out and may need to be replaced.

If the batteries are not used for a prolonged period, store batteries partially charged and in a cool location 50° - 77°F (10–25 °C).



LED Indicator  
Lights



CAUTION

**Do not use batteries with damaged casing.**

**Do not attempt to open batteries.**

**Do not dispose of in fire, water or household waste.**

## Disposal Information

Recycle raw materials instead of disposing as waste. Battery, accessories and packaging should be recycled in an environmentally friendly manner. Plastic parts are identified for recycling according to material type.



# Warranty & Specifications

## IMPORTANT NOTICE

We, the manufacturer, reserve the right to change the product and/or specifications in this manual without notification. The manual is for information usage only and the pictures and drawings depicted herein are for reference only.

## Warranty Repair and Service

Do not return this product to the store for warranty issues or repair. Call our customer service department at **1-800-876-3009** or email us at **support@redbacktools.com**. You can extend your warranty by registering your product at **www.redbacktools.com**.

**Record the information below for future reference.**

**Model No.** \_\_\_\_\_

**Serial No.** \_\_\_\_\_

**Date of Purchase** \_\_\_\_\_

**Place of Purchase** \_\_\_\_\_

| SKU/Part No.              | EA20/EA30                             |
|---------------------------|---------------------------------------|
| Description               | 120V Lithium Ion Rechargeable Battery |
| Rated Voltage             | 120 Volts DC                          |
| Capacity                  | 2.0Ah/3.0Ah                           |
| LED Light Power Indicator |                                       |
| Four Green Lights         | 100%                                  |
| Three Green Lights        | >75% remaining                        |
| Two Green Lights          | >50% remaining                        |
| One Green Lights          | >25% remaining                        |
| Warranty                  | 1-Year Limited Warranty               |
| Shipping Weight           | 4.2 Lbs                               |



For Service or Questions

**1-800-876-3009**

[www.redbacktools.com](http://www.redbacktools.com)

email us at [support@redbacktools.com](mailto:support@redbacktools.com)