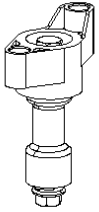
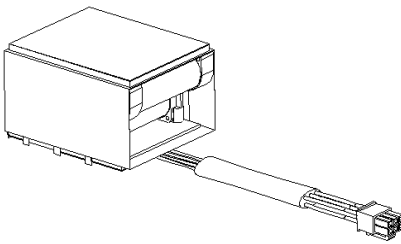
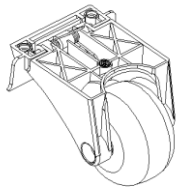
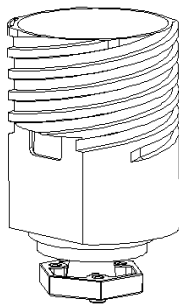
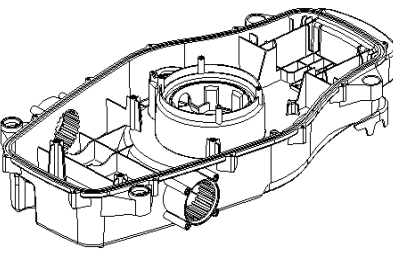
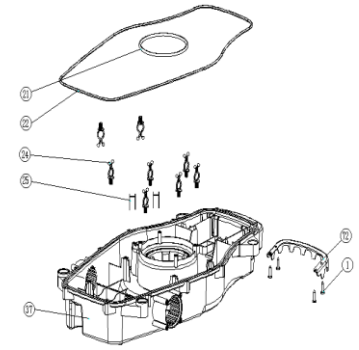
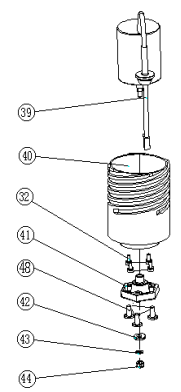
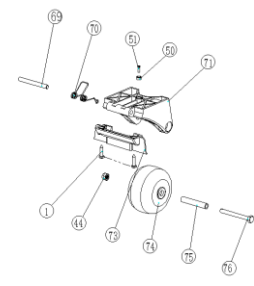
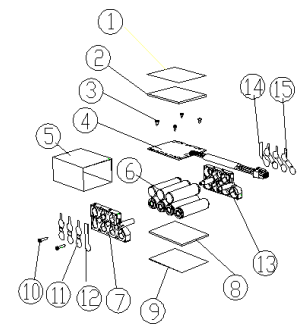
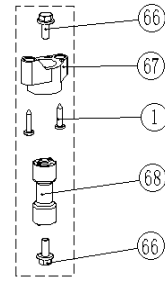
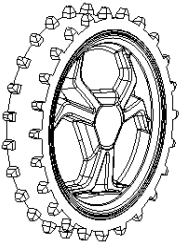
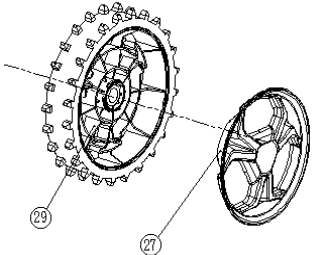
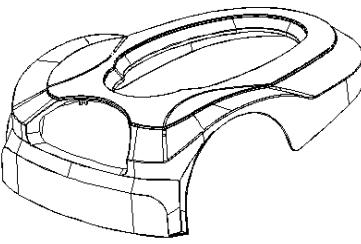
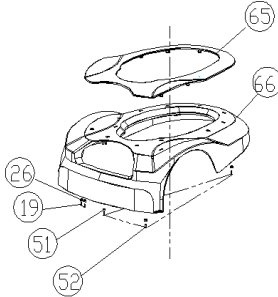
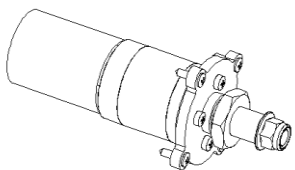
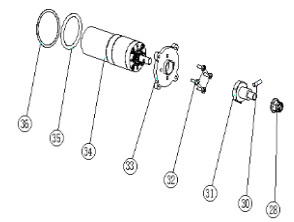
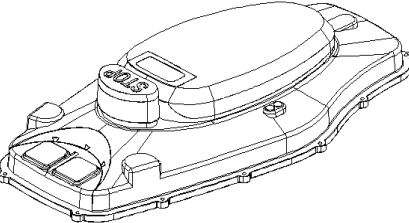
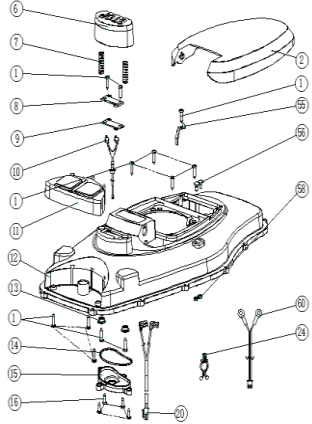
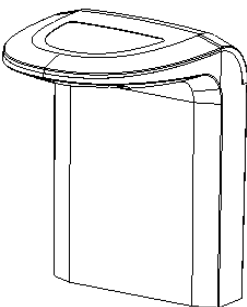
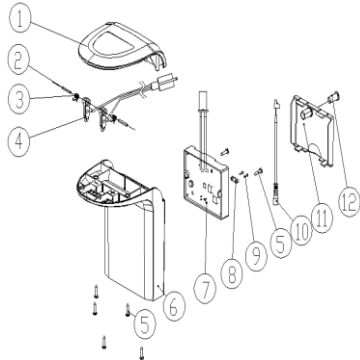
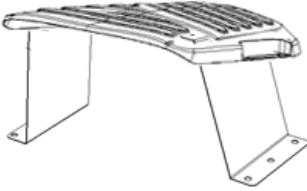
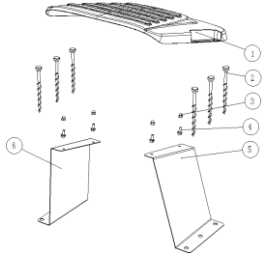

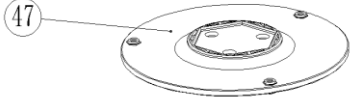
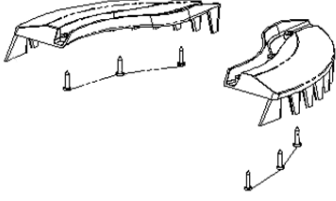
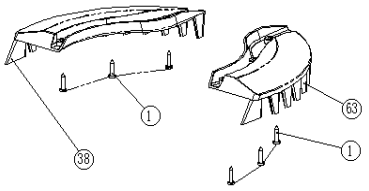
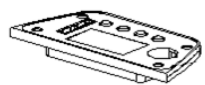
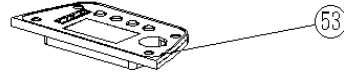
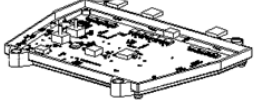
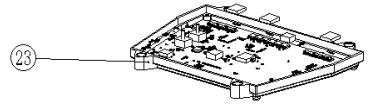
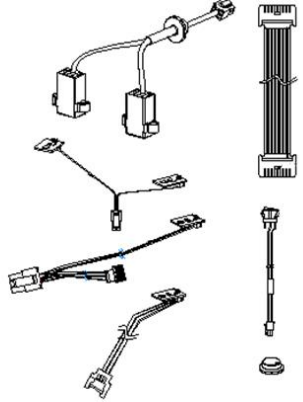
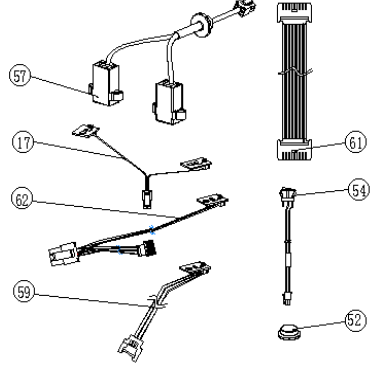
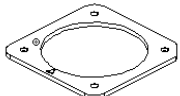



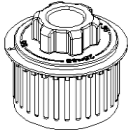
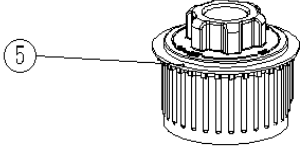
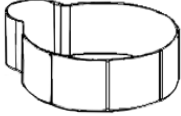
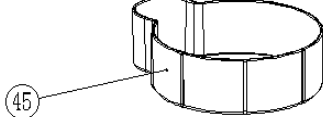
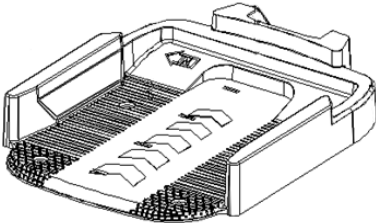
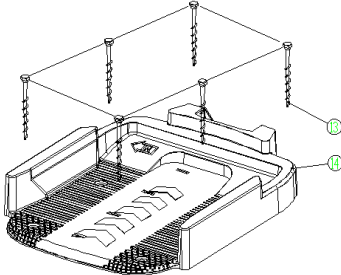
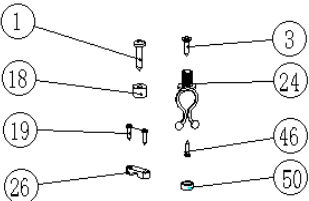
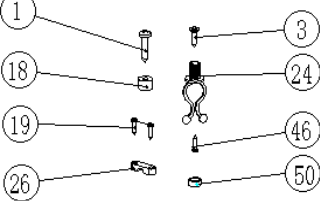
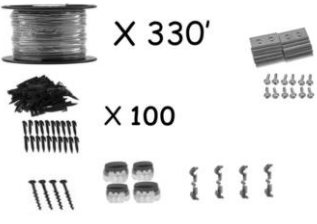
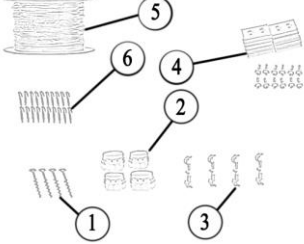

RM18 Servie Assembly/Parts

RM18--01	Bumping Bracket Assembly	No.	Material Code	Discription	Q-ty		
		1	60170670	Cross Recessed Pan Head Tapping Screw	8		
		66	60020730	Hexagon Head Flange Bolt	8		
		67	26340010	Bumping Bracket 1	4		
		68	26350060	Bumping Rubber Connector	4		
Sold as set only.							
		1	30011120	Tracing Paper-1	1		
		2	80010290	Double-side Adhesive Foam -1	1		
		3	60170650	Cross Recessed Pan Head Tapping Screw	4		
		4	30090630	Battery Pack PCB Assembly	1		
		5	80010280	Thermal Shrinkage - Blue	1		
		6	30050040	SDI Battery Cell	7		
		7	20140340	Bracket -2	1		
		8	80010300	Double-side Adhesive Foam -2	1		
		9	30011130	Tracing Paper-2	1		
		10	60480130	Special Tapping Screw	2		
		11	30011260	Nickle -2	3		
		12	30011280	Nickle -4	1		
		13	20140330	Bracket -1	1		
		14	30011270	Nickle -3	1		
		15	30011250	Nickle -1	3		
Sold as set only.							
		1	60170670	Cross Recessed Pan Head Tapping Screw	2		
		44	60150080	Self-locking Nut	1		
		50	71270070	Bumping Detection Magnet	1		
		51	60172000	Cross Recessed Countersunk Head Tapping Screws	1		
		69	70031130	Wheel Driving Shaft	1		
		70	70031120	Wheel Torsion Spring	1		
		71	20140300	Wheel Bracket	1		
		73	20490100	Mounting Sleeve	1		
		74	20880530	Wheel	1		
		75	70750030	Wheel Bush	1		
		76	60061480	Hexagon Head Flange Bolt	1		
		Sold as set only.					
				32	60020750	Assembly of Cross Recessed Pan Head Falling Resistant Screw, Spring Gasket, and Flast Washer	4
39	30071590			Cutting Motor	1		
40	26150010			Cutting Motor Barrel	1		
41	70030880			Cutting Driving Shaft	1		
42	60020570			Cutting Driving Shaft Ring	1		
43	60210140			Spring Spring	1		
44	60150080			Self-locking Nut	1		
48	60090270			Large Flat Round Head Hexagon Bolt	3		
Sold as set only.							
		1	60170670	Cross Recessed Pan Head Tapping Screw	4		
		21	20940330	Height Adjustment Ring	1		
		22	20940460	Principal Machine Sealing Strip	1		
		24	80010320	Thread Clamp	6		
		25	60410750	Noise Reduction Spring	2		
		37	20570310	Lower Cover	1		
		72	70250280	Rear Wheel Baffle	1		
Sold as set only.							



RM18--06 	Wheel Assembly	<table border="1"> <thead> <tr> <th>No.</th> <th>Material Code</th> <th>Discription</th> <th>Q-ty</th> </tr> </thead> <tbody> <tr> <td>27</td> <td>26090010</td> <td>Wheel Cover</td> <td>2</td> </tr> <tr> <td>29</td> <td>20880500</td> <td>Wheel Assembly</td> <td>2</td> </tr> </tbody> </table>	No.	Material Code	Discription	Q-ty	27	26090010	Wheel Cover	2	29	20880500	Wheel Assembly	2																																																																					
No.	Material Code	Discription	Q-ty																																																																																
27	26090010	Wheel Cover	2																																																																																
29	20880500	Wheel Assembly	2																																																																																
<i>Sold as set only.</i>																																																																																			
RM18--07 	Outer Cover Assembly	<table border="1"> <thead> <tr> <th>No.</th> <th>Material Code</th> <th>Discription</th> <th>Q-ty</th> </tr> </thead> <tbody> <tr> <td>19</td> <td>60020830</td> <td>Cross Recessed Pan Head Tapping Screw</td> <td>2</td> </tr> <tr> <td>26</td> <td>26350030</td> <td>Power Cord Pressplate</td> <td>1</td> </tr> <tr> <td>51</td> <td>71270070</td> <td>Bumping Detection Magnet</td> <td>3</td> </tr> <tr> <td>52</td> <td>60172000</td> <td>Cross Recessed Countersunk Head Tapping Screws</td> <td>3</td> </tr> <tr> <td>65</td> <td>20740220</td> <td>1# Housing Decoration Cover (Option)</td> <td>1</td> </tr> <tr> <td>66</td> <td>26310020</td> <td>1# Housing (Option)</td> <td>1</td> </tr> <tr> <td></td> <td>26310030</td> <td>2# Housing (Option)</td> <td>1</td> </tr> </tbody> </table>	No.	Material Code	Discription	Q-ty	19	60020830	Cross Recessed Pan Head Tapping Screw	2	26	26350030	Power Cord Pressplate	1	51	71270070	Bumping Detection Magnet	3	52	60172000	Cross Recessed Countersunk Head Tapping Screws	3	65	20740220	1# Housing Decoration Cover (Option)	1	66	26310020	1# Housing (Option)	1		26310030	2# Housing (Option)	1																																																	
No.	Material Code	Discription	Q-ty																																																																																
19	60020830	Cross Recessed Pan Head Tapping Screw	2																																																																																
26	26350030	Power Cord Pressplate	1																																																																																
51	71270070	Bumping Detection Magnet	3																																																																																
52	60172000	Cross Recessed Countersunk Head Tapping Screws	3																																																																																
65	20740220	1# Housing Decoration Cover (Option)	1																																																																																
66	26310020	1# Housing (Option)	1																																																																																
	26310030	2# Housing (Option)	1																																																																																
<i>Sold as set only.</i>																																																																																			
RM18--08 	Driving Motor Assembly	<table border="1"> <thead> <tr> <th>No.</th> <th>Material Code</th> <th>Discription</th> <th>Q-ty</th> </tr> </thead> <tbody> <tr> <td>28</td> <td>60140060</td> <td>Hexagon Flange Lock Nut M10</td> <td>2</td> </tr> <tr> <td>30</td> <td>60250270</td> <td>Spring Pin</td> <td>2</td> </tr> <tr> <td>31</td> <td>70030860</td> <td>Driving Shaft</td> <td>2</td> </tr> <tr> <td>32</td> <td>60020750</td> <td>Assembly of Cross Recessed Pan Head Falling Resistant Screw, Spring Gasket, and Flast Washer</td> <td>8</td> </tr> <tr> <td>33</td> <td>26070010</td> <td>Driving Motor Bracket</td> <td>2</td> </tr> <tr> <td>34</td> <td>30071600</td> <td>Driving Motor</td> <td>2</td> </tr> <tr> <td>35</td> <td>20940360</td> <td>Driving Motor Sealing Gasket</td> <td>2</td> </tr> <tr> <td>36</td> <td>70040270</td> <td>Driving Motor Gasket</td> <td>2</td> </tr> </tbody> </table>	No.	Material Code	Discription	Q-ty	28	60140060	Hexagon Flange Lock Nut M10	2	30	60250270	Spring Pin	2	31	70030860	Driving Shaft	2	32	60020750	Assembly of Cross Recessed Pan Head Falling Resistant Screw, Spring Gasket, and Flast Washer	8	33	26070010	Driving Motor Bracket	2	34	30071600	Driving Motor	2	35	20940360	Driving Motor Sealing Gasket	2	36	70040270	Driving Motor Gasket	2																																													
No.	Material Code	Discription	Q-ty																																																																																
28	60140060	Hexagon Flange Lock Nut M10	2																																																																																
30	60250270	Spring Pin	2																																																																																
31	70030860	Driving Shaft	2																																																																																
32	60020750	Assembly of Cross Recessed Pan Head Falling Resistant Screw, Spring Gasket, and Flast Washer	8																																																																																
33	26070010	Driving Motor Bracket	2																																																																																
34	30071600	Driving Motor	2																																																																																
35	20940360	Driving Motor Sealing Gasket	2																																																																																
36	70040270	Driving Motor Gasket	2																																																																																
<i>Sold as set only.</i>																																																																																			
RM18--09 	Upper Cover Assembly	<table border="1"> <thead> <tr> <th>No.</th> <th>Material Code</th> <th>Discription</th> <th>Q-ty</th> </tr> </thead> <tbody> <tr> <td>1</td> <td>60170670</td> <td>Cross Recessed Pan Head Tapping Screw</td> <td>12</td> </tr> <tr> <td>2</td> <td>25190290</td> <td>Transparent Cover</td> <td>1</td> </tr> <tr> <td>6</td> <td>26220020</td> <td>STOP Button</td> <td>1</td> </tr> <tr> <td>7</td> <td>60380400</td> <td>Resetting Spring</td> <td>2</td> </tr> <tr> <td>8</td> <td>20440190</td> <td>Switch Pressplate</td> <td>1</td> </tr> <tr> <td>9</td> <td>20940450</td> <td>Sealing Gasket</td> <td>1</td> </tr> <tr> <td>10</td> <td>30041360</td> <td>STOP Signal Wire</td> <td>1</td> </tr> <tr> <td>11</td> <td>26410030</td> <td>Wafer Assembly</td> <td>1</td> </tr> <tr> <td>12</td> <td>20650250</td> <td>Upper Cover</td> <td>1</td> </tr> <tr> <td>13</td> <td>20530210</td> <td>Button Stopper</td> <td>2</td> </tr> <tr> <td>14</td> <td>20940440</td> <td>STOP Button Sealing Ring</td> <td>1</td> </tr> <tr> <td>15</td> <td>20550070</td> <td>Sealing Cover Plate</td> <td>1</td> </tr> <tr> <td>16</td> <td>60020800</td> <td>Cross Recessed Pan Head Tapping Screw</td> <td>4</td> </tr> <tr> <td>20</td> <td>30041350</td> <td>Charging Line</td> <td>1</td> </tr> <tr> <td>24</td> <td>80010320</td> <td>Thread Clamp</td> <td>4</td> </tr> <tr> <td>55</td> <td>60020590</td> <td>Height Adjustment Locking Piece</td> <td>1</td> </tr> <tr> <td>56</td> <td>60020600</td> <td>Rain Detection Bolt</td> <td>2</td> </tr> <tr> <td>58</td> <td>60150030</td> <td>Hexagon</td> <td>2</td> </tr> <tr> <td>60</td> <td>30041410</td> <td>Rain Detection Signal Wire</td> <td>1</td> </tr> </tbody> </table>	No.	Material Code	Discription	Q-ty	1	60170670	Cross Recessed Pan Head Tapping Screw	12	2	25190290	Transparent Cover	1	6	26220020	STOP Button	1	7	60380400	Resetting Spring	2	8	20440190	Switch Pressplate	1	9	20940450	Sealing Gasket	1	10	30041360	STOP Signal Wire	1	11	26410030	Wafer Assembly	1	12	20650250	Upper Cover	1	13	20530210	Button Stopper	2	14	20940440	STOP Button Sealing Ring	1	15	20550070	Sealing Cover Plate	1	16	60020800	Cross Recessed Pan Head Tapping Screw	4	20	30041350	Charging Line	1	24	80010320	Thread Clamp	4	55	60020590	Height Adjustment Locking Piece	1	56	60020600	Rain Detection Bolt	2	58	60150030	Hexagon	2	60	30041410	Rain Detection Signal Wire	1	
No.	Material Code	Discription	Q-ty																																																																																
1	60170670	Cross Recessed Pan Head Tapping Screw	12																																																																																
2	25190290	Transparent Cover	1																																																																																
6	26220020	STOP Button	1																																																																																
7	60380400	Resetting Spring	2																																																																																
8	20440190	Switch Pressplate	1																																																																																
9	20940450	Sealing Gasket	1																																																																																
10	30041360	STOP Signal Wire	1																																																																																
11	26410030	Wafer Assembly	1																																																																																
12	20650250	Upper Cover	1																																																																																
13	20530210	Button Stopper	2																																																																																
14	20940440	STOP Button Sealing Ring	1																																																																																
15	20550070	Sealing Cover Plate	1																																																																																
16	60020800	Cross Recessed Pan Head Tapping Screw	4																																																																																
20	30041350	Charging Line	1																																																																																
24	80010320	Thread Clamp	4																																																																																
55	60020590	Height Adjustment Locking Piece	1																																																																																
56	60020600	Rain Detection Bolt	2																																																																																
58	60150030	Hexagon	2																																																																																
60	30041410	Rain Detection Signal Wire	1																																																																																
<i>Sold as set only.</i>																																																																																			
RM18--10 	Upper Cover Assembly of Charging Base	<table border="1"> <thead> <tr> <th>No.</th> <th>Material Code</th> <th>Discription</th> <th>Q-ty</th> </tr> </thead> <tbody> <tr> <td>1</td> <td>26400020</td> <td>Upper Cover of Charging Base</td> <td>1</td> </tr> <tr> <td>2</td> <td>70031140</td> <td>Inserting Pin</td> <td>2</td> </tr> <tr> <td>3</td> <td>70031110</td> <td>Charging Inserting Torsion Tension</td> <td>2</td> </tr> <tr> <td>4</td> <td>30011380</td> <td>Charging Line Assembly</td> <td>1</td> </tr> <tr> <td>5</td> <td>60170670</td> <td>Cross Recessed Pan Head Tapping Screw</td> <td>7</td> </tr> <tr> <td>6</td> <td>26390020</td> <td>Charging Base Bracket</td> <td>1</td> </tr> <tr> <td>7</td> <td>30011330</td> <td>Charging Base PCB Assembly</td> <td>1</td> </tr> <tr> <td>8</td> <td>26350030</td> <td>Wire Pressplate</td> <td>1</td> </tr> <tr> <td>9</td> <td>60020830</td> <td>Cross Recessed Pan Head Tapping Screw</td> <td>2</td> </tr> <tr> <td>10</td> <td>30041430</td> <td>Power Line</td> <td>1</td> </tr> <tr> <td>11</td> <td>20420130</td> <td>Back Cover of Charging Base</td> <td>1</td> </tr> <tr> <td>12</td> <td>20800410</td> <td>Light Pipe</td> <td>1</td> </tr> </tbody> </table>	No.	Material Code	Discription	Q-ty	1	26400020	Upper Cover of Charging Base	1	2	70031140	Inserting Pin	2	3	70031110	Charging Inserting Torsion Tension	2	4	30011380	Charging Line Assembly	1	5	60170670	Cross Recessed Pan Head Tapping Screw	7	6	26390020	Charging Base Bracket	1	7	30011330	Charging Base PCB Assembly	1	8	26350030	Wire Pressplate	1	9	60020830	Cross Recessed Pan Head Tapping Screw	2	10	30041430	Power Line	1	11	20420130	Back Cover of Charging Base	1	12	20800410	Light Pipe	1																													
No.	Material Code	Discription	Q-ty																																																																																
1	26400020	Upper Cover of Charging Base	1																																																																																
2	70031140	Inserting Pin	2																																																																																
3	70031110	Charging Inserting Torsion Tension	2																																																																																
4	30011380	Charging Line Assembly	1																																																																																
5	60170670	Cross Recessed Pan Head Tapping Screw	7																																																																																
6	26390020	Charging Base Bracket	1																																																																																
7	30011330	Charging Base PCB Assembly	1																																																																																
8	26350030	Wire Pressplate	1																																																																																
9	60020830	Cross Recessed Pan Head Tapping Screw	2																																																																																
10	30041430	Power Line	1																																																																																
11	20420130	Back Cover of Charging Base	1																																																																																
12	20800410	Light Pipe	1																																																																																
<i>Sold as set only.</i>																																																																																			

RM18--11 	Canopy Assembly	<table border="1"> <thead> <tr> <th>No.</th> <th>Material Code</th> <th>Discription</th> <th>Q-ty</th> </tr> </thead> <tbody> <tr> <td>1</td> <td>20940070</td> <td>Canopy Cover</td> <td>1</td> </tr> <tr> <td>2</td> <td>26440010</td> <td>Fixing Pegs</td> <td>6</td> </tr> <tr> <td>3</td> <td>60130020</td> <td>Cap Nut</td> <td>4</td> </tr> <tr> <td>4</td> <td>60020730</td> <td>Hexagon Bolts Serratedflange</td> <td>4</td> </tr> <tr> <td>5</td> <td>70080300</td> <td>Right Bracket for Fixing Canopy</td> <td>1</td> </tr> <tr> <td>6</td> <td>70080120</td> <td>Left Bracket for Fixing Canopy</td> <td>1</td> </tr> </tbody> </table>	No.	Material Code	Discription	Q-ty	1	20940070	Canopy Cover	1	2	26440010	Fixing Pegs	6	3	60130020	Cap Nut	4	4	60020730	Hexagon Bolts Serratedflange	4	5	70080300	Right Bracket for Fixing Canopy	1	6	70080120	Left Bracket for Fixing Canopy	1					
No.	Material Code	Discription	Q-ty																																
1	20940070	Canopy Cover	1																																
2	26440010	Fixing Pegs	6																																
3	60130020	Cap Nut	4																																
4	60020730	Hexagon Bolts Serratedflange	4																																
5	70080300	Right Bracket for Fixing Canopy	1																																
6	70080120	Left Bracket for Fixing Canopy	1																																
		Sold as set only.																																	
RM18--12 	Blade Disc Assembly	<table border="1"> <thead> <tr> <th>No.</th> <th>Material Code</th> <th>Discription</th> <th>Q-ty</th> </tr> </thead> <tbody> <tr> <td>47</td> <td>26370020</td> <td>Blade Disc</td> <td>1</td> </tr> </tbody> </table>	No.	Material Code	Discription	Q-ty	47	26370020	Blade Disc	1																									
No.	Material Code	Discription	Q-ty																																
47	26370020	Blade Disc	1																																
		Sold as set only.																																	
RM18--13 	Comb Board Assembly	<table border="1"> <thead> <tr> <th>No.</th> <th>Material Code</th> <th>Discription</th> <th>Q-ty</th> </tr> </thead> <tbody> <tr> <td>1</td> <td>60170670</td> <td>Cross Recessed Pan Head Tapping Screw</td> <td>6</td> </tr> <tr> <td>38</td> <td>20920790</td> <td>Right Protection Cover</td> <td>1</td> </tr> <tr> <td>63</td> <td>20920780</td> <td>Left Protection Cover</td> <td>1</td> </tr> </tbody> </table>	No.	Material Code	Discription	Q-ty	1	60170670	Cross Recessed Pan Head Tapping Screw	6	38	20920790	Right Protection Cover	1	63	20920780	Left Protection Cover	1																	
No.	Material Code	Discription	Q-ty																																
1	60170670	Cross Recessed Pan Head Tapping Screw	6																																
38	20920790	Right Protection Cover	1																																
63	20920780	Left Protection Cover	1																																
		Sold as set only.																																	
RM18--14 	Key Display Board Assembly	<table border="1"> <thead> <tr> <th>No.</th> <th>Material Code</th> <th>Discription</th> <th>Q-ty</th> </tr> </thead> <tbody> <tr> <td>53</td> <td>30011350</td> <td>Key Display Board Assembly</td> <td>1</td> </tr> </tbody> </table>	No.	Material Code	Discription	Q-ty	53	30011350	Key Display Board Assembly	1																									
No.	Material Code	Discription	Q-ty																																
53	30011350	Key Display Board Assembly	1																																
		Sold as set only.																																	
RM18--15 	Main PCB Assembly	<table border="1"> <thead> <tr> <th>No.</th> <th>Material Code</th> <th>Discription</th> <th>Q-ty</th> </tr> </thead> <tbody> <tr> <td>23</td> <td>30011320</td> <td>Main PCB Assembly</td> <td>1</td> </tr> </tbody> </table>	No.	Material Code	Discription	Q-ty	23	30011320	Main PCB Assembly	1																									
No.	Material Code	Discription	Q-ty																																
23	30011320	Main PCB Assembly	1																																
		Sold as set only.																																	
RM18--16 	Harness Assembly	<table border="1"> <thead> <tr> <th>No.</th> <th>Material Code</th> <th>Discription</th> <th>Q-ty</th> </tr> </thead> <tbody> <tr> <td>17</td> <td>30011360</td> <td>Bumping Detection PCB Assembly</td> <td>1</td> </tr> <tr> <td>52</td> <td>20800360</td> <td>Switch Tarpaulin</td> <td>1</td> </tr> <tr> <td>54</td> <td>30041340</td> <td>Main Switch Wire</td> <td>1</td> </tr> <tr> <td>57</td> <td>30011340</td> <td>Boundary Wire PCB Assembly</td> <td>1</td> </tr> <tr> <td>59</td> <td>30011390</td> <td>Side Bumping Detection PCB Assembly</td> <td>1</td> </tr> <tr> <td>61</td> <td>30041420</td> <td>Key Dispay Board Harness</td> <td>1</td> </tr> <tr> <td>62</td> <td>30011370</td> <td>Lifting Detection PCB Assembly</td> <td>1</td> </tr> </tbody> </table>	No.	Material Code	Discription	Q-ty	17	30011360	Bumping Detection PCB Assembly	1	52	20800360	Switch Tarpaulin	1	54	30041340	Main Switch Wire	1	57	30011340	Boundary Wire PCB Assembly	1	59	30011390	Side Bumping Detection PCB Assembly	1	61	30041420	Key Dispay Board Harness	1	62	30011370	Lifting Detection PCB Assembly	1	
No.	Material Code	Discription	Q-ty																																
17	30011360	Bumping Detection PCB Assembly	1																																
52	20800360	Switch Tarpaulin	1																																
54	30041340	Main Switch Wire	1																																
57	30011340	Boundary Wire PCB Assembly	1																																
59	30011390	Side Bumping Detection PCB Assembly	1																																
61	30041420	Key Dispay Board Harness	1																																
62	30011370	Lifting Detection PCB Assembly	1																																
		Sold as set only.																																	
RM18--17 	Height Adjustment Pressplate	<table border="1"> <thead> <tr> <th>No.</th> <th>Material Code</th> <th>Discription</th> <th>Q-ty</th> </tr> </thead> <tbody> <tr> <td>4</td> <td>26280020</td> <td>Height Adjustment Pressplate</td> <td>1</td> </tr> </tbody> </table>	No.	Material Code	Discription	Q-ty	4	26280020	Height Adjustment Pressplate	1																									
No.	Material Code	Discription	Q-ty																																
4	26280020	Height Adjustment Pressplate	1																																
		Sold as set only.																																	

RM18--18 Height Adjustment Handle 	<table border="1"> <thead> <tr> <th>No.</th> <th>Material Code</th> <th>Discription</th> <th>Q-ty</th> </tr> </thead> <tbody> <tr> <td>5</td> <td>26270020</td> <td>Height Adjustment Handle</td> <td>1</td> </tr> </tbody> </table> <p style="text-align: center; color: red;">Sold as set only.</p>	No.	Material Code	Discription	Q-ty	5	26270020	Height Adjustment Handle	1																													
No.	Material Code	Discription	Q-ty																																			
5	26270020	Height Adjustment Handle	1																																			
RM18--19 Protection Cover 	<table border="1"> <thead> <tr> <th>No.</th> <th>Material Code</th> <th>Discription</th> <th>Q-ty</th> </tr> </thead> <tbody> <tr> <td>45</td> <td>20920800</td> <td>Protection Cover</td> <td>1</td> </tr> </tbody> </table> <p style="text-align: center; color: red;">Sold as set only.</p>	No.	Material Code	Discription	Q-ty	45	20920800	Protection Cover	1																													
No.	Material Code	Discription	Q-ty																																			
45	20920800	Protection Cover	1																																			
RM18--20 Lower Base Assembly of Charging Base 	<table border="1"> <thead> <tr> <th>No.</th> <th>Material Code</th> <th>Discription</th> <th>Q-ty</th> </tr> </thead> <tbody> <tr> <td>13</td> <td>26440010</td> <td>Charging Base Fixing Peg</td> <td>6</td> </tr> <tr> <td>14</td> <td>26010020</td> <td>Lower Base of Charging Base</td> <td>1</td> </tr> </tbody> </table> <p style="text-align: center; color: red;">Sold as set only.</p>	No.	Material Code	Discription	Q-ty	13	26440010	Charging Base Fixing Peg	6	14	26010020	Lower Base of Charging Base	1																									
No.	Material Code	Discription	Q-ty																																			
13	26440010	Charging Base Fixing Peg	6																																			
14	26010020	Lower Base of Charging Base	1																																			
RM18--21 Standard Parts 1 	<table border="1"> <thead> <tr> <th>No.</th> <th>Material Code</th> <th>Discription</th> <th>Q-ty</th> </tr> </thead> <tbody> <tr> <td>1</td> <td>60170670</td> <td>Cross Recessed Pan Head Tapping Screw</td> <td>60</td> </tr> <tr> <td>3</td> <td>60171060</td> <td>Cross Recessed Countersunk Head Tapping Screw</td> <td>10</td> </tr> <tr> <td>18</td> <td>60020580</td> <td>Bumping Detection Fixing Gasket</td> <td>4</td> </tr> <tr> <td>19</td> <td>60020830</td> <td>Cross Recessed Pan Head Tapping Screw</td> <td>8</td> </tr> <tr> <td>24</td> <td>80010320</td> <td>Thread Clamp</td> <td>8</td> </tr> <tr> <td>26</td> <td>26350030</td> <td>Wire Pressplate</td> <td>2</td> </tr> <tr> <td>46</td> <td>60020840</td> <td>Cross Recessed Pan Head Tapping Screw</td> <td>4</td> </tr> <tr> <td>50</td> <td>71270070</td> <td>Bumping Detection</td> <td>4</td> </tr> </tbody> </table> <p style="text-align: center; color: red;">Sold as set only.</p>	No.	Material Code	Discription	Q-ty	1	60170670	Cross Recessed Pan Head Tapping Screw	60	3	60171060	Cross Recessed Countersunk Head Tapping Screw	10	18	60020580	Bumping Detection Fixing Gasket	4	19	60020830	Cross Recessed Pan Head Tapping Screw	8	24	80010320	Thread Clamp	8	26	26350030	Wire Pressplate	2	46	60020840	Cross Recessed Pan Head Tapping Screw	4	50	71270070	Bumping Detection	4	
No.	Material Code	Discription	Q-ty																																			
1	60170670	Cross Recessed Pan Head Tapping Screw	60																																			
3	60171060	Cross Recessed Countersunk Head Tapping Screw	10																																			
18	60020580	Bumping Detection Fixing Gasket	4																																			
19	60020830	Cross Recessed Pan Head Tapping Screw	8																																			
24	80010320	Thread Clamp	8																																			
26	26350030	Wire Pressplate	2																																			
46	60020840	Cross Recessed Pan Head Tapping Screw	4																																			
50	71270070	Bumping Detection	4																																			
RM18--22 Standard Parts 2 	<table border="1"> <thead> <tr> <th>No.</th> <th>Material Code</th> <th>Discription</th> <th>Q-ty</th> </tr> </thead> <tbody> <tr> <td>1</td> <td>26440010</td> <td>Charging Base Fixing Peg</td> <td>6</td> </tr> <tr> <td>2</td> <td>30020110</td> <td>Connector for Boundary Wires</td> <td>4</td> </tr> <tr> <td>3</td> <td>30020160</td> <td>T Type Connecting Terminal</td> <td>4</td> </tr> <tr> <td>4</td> <td>/</td> <td>Blade Assembly</td> <td>9</td> </tr> </tbody> </table> <p style="text-align: center; color: red;">Sold as set only.</p>	No.	Material Code	Discription	Q-ty	1	26440010	Charging Base Fixing Peg	6	2	30020110	Connector for Boundary Wires	4	3	30020160	T Type Connecting Terminal	4	4	/	Blade Assembly	9																	
No.	Material Code	Discription	Q-ty																																			
1	26440010	Charging Base Fixing Peg	6																																			
2	30020110	Connector for Boundary Wires	4																																			
3	30020160	T Type Connecting Terminal	4																																			
4	/	Blade Assembly	9																																			
RM18--23 Adaptor 	<table border="1"> <thead> <tr> <th>No.</th> <th>Material Code</th> <th>Discription</th> <th>Q-ty</th> </tr> </thead> <tbody> <tr> <td>1</td> <td>30080380</td> <td>Adaptor</td> <td>1</td> </tr> </tbody> </table>	No.	Material Code	Discription	Q-ty	1	30080380	Adaptor	1																													
No.	Material Code	Discription	Q-ty																																			
1	30080380	Adaptor	1																																			