

Válvula Solenoide Acero Inoxidable Pilotada NC Alto Flujo

Guía Técnica

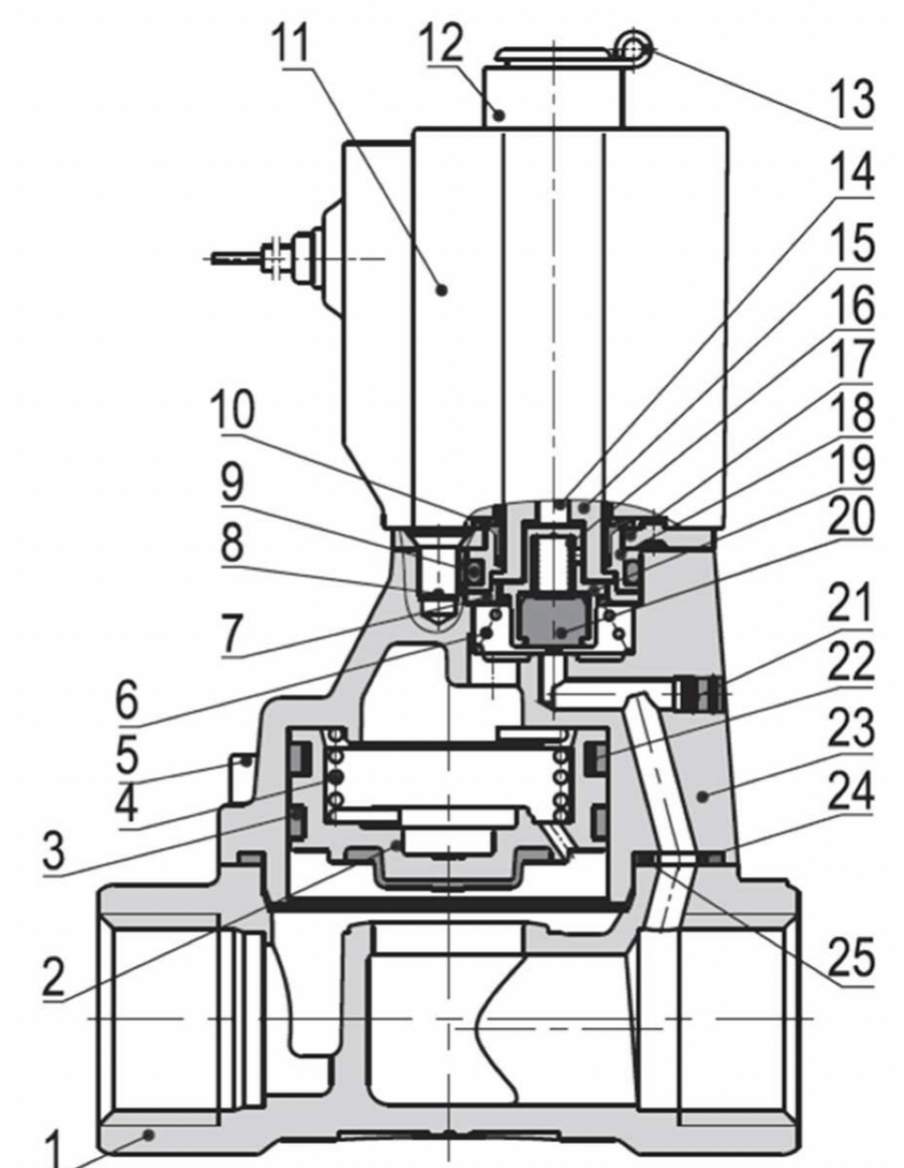


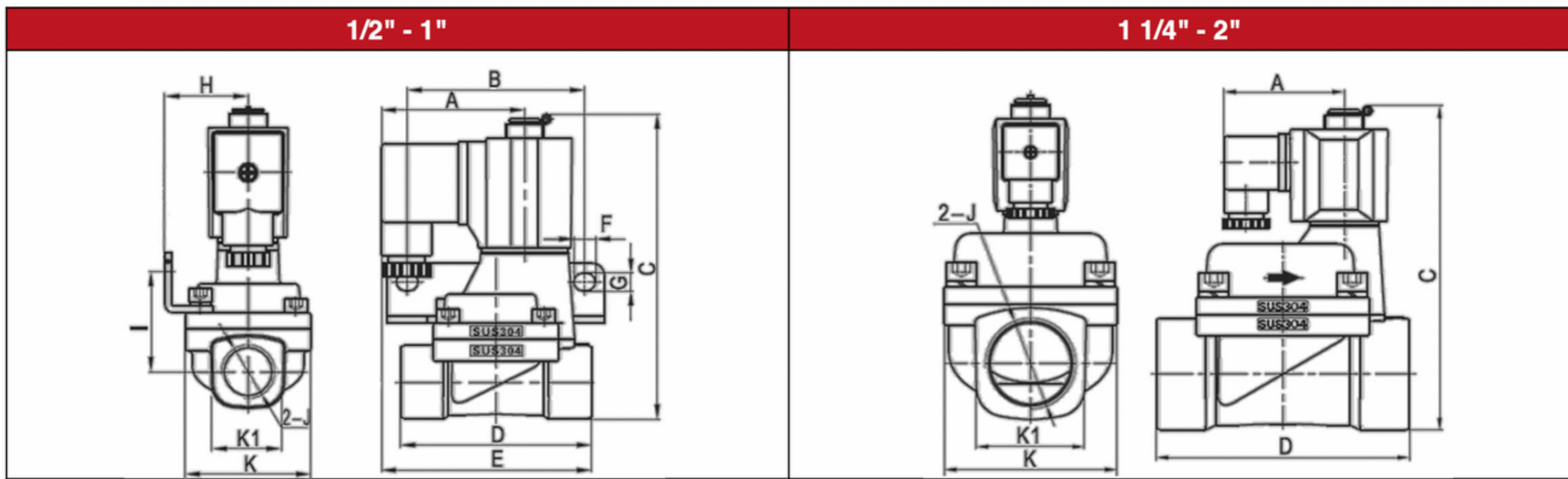
Cematic

Válvula Solenoide Acero Inoxidable Pilotada NC Alto Flujo

| PPI | |
|--------------------|---|
| Diseño | Solenoide |
| Acción | Pilotada |
| Cuerpo | Acero Inoxidable 304 |
| Vías | 2/2 |
| Sello | FPM-F (Vitón), PTFE (Teflón) para la línea alta temperatura |
| Alto Flujo | |
| Presión de Trabajo | 10-100 psi |
| Fluidos | Agua, Aceite y Aire comprimido; Vapor para línea alta temperatura |
| Roscada | NPT |
| ALTA TEMPERATURA | |

| No. | Parte | No. | Parte |
|-----|--------------------|-----|--------------------|
| 1 | Cuerpo | 14 | Mandril |
| 2 | Pistón | 15 | Núcleo movable |
| 3 | Anillo de desgaste | 16 | Resorte |
| 4 | Resorte | 17 | Placa Fijo |
| 5 | Tornillo | 18 | Tapa Fija |
| 6 | Resorte | 19 | Cojinete Hermético |
| 7 | Anillo Fijo | 20 | Anillo Hermético |
| 8 | Tornillo | 21 | Enchufe |
| 9 | O-Ring | 22 | Resorte |
| 10 | Arandela | 23 | Cubierta |
| 11 | Bobina | 24 | Cojinete |
| 12 | Anillo de posición | 25 | O-Ring |
| 13 | Clip E | | |





| Modelo | Tipo | Temperatura de trabajo | Medida (J) | A | B | C | D | E | F | G | H | I | K | K1 | Voltaje |
|-----------|------|------------------------|------------|------|----|-------|-----|------|---|-----|------|------|-----|------|--------------|
| PPI01042 | NA | -20° – 90° C | 1/2" | 52.5 | 65 | 112.3 | 70 | 77 | 8 | 6.4 | 30.5 | 36.5 | 46 | 27.5 | 24 DC 20 W |
| PPI01044 | | | | | | | | | | | | | | | 110 AC 25 VA |
| PPI01045 | | | | | | | | | | | | | | | 220 AC 12 VA |
| PPI02042 | NC | -20° – 180° C | 1/2" | 52.5 | 65 | 112.3 | 70 | 77 | 8 | 6.4 | 30.5 | 36.5 | 46 | 27.5 | 24 DC 20 W |
| PPI02044 | | | | | | | | | | | | | | | 110 AC 25 VA |
| PPI02045 | | | | | | | | | | | | | | | 220 AC 12 VA |
| PPIH02042 | NC | -20° – 180° C | 1/2" | 52.5 | 65 | 112.3 | 70 | 77 | 8 | 6.4 | 30.5 | 36.5 | 46 | 27.5 | 24 DC 20 W |
| PPIH02044 | | | | | | | | | | | | | | | 110 AC 25 VA |
| PPIH02045 | | | | | | | | | | | | | | | 220 AC 12 VA |
| PPI01052 | NA | -20° – 90° C | 3/4" | 52.5 | 75 | 120.8 | 82 | 78.5 | 8 | 6.4 | 34 | 40 | 53 | 33.5 | 24 DC 20 W |
| PPI01054 | | | | | | | | | | | | | | | 110 AC 25 VA |
| PPI01055 | | | | | | | | | | | | | | | 220 AC 12 VA |
| PPI02052 | NC | -20° – 180° C | 3/4" | 52.5 | 75 | 120.8 | 82 | 78.5 | 8 | 6.4 | 34 | 40 | 53 | 33.5 | 24 DC 20 W |
| PPI02054 | | | | | | | | | | | | | | | 110 AC 25 VA |
| PPI02055 | | | | | | | | | | | | | | | 220 AC 12 VA |
| PPIH02052 | NC | -20° – 180° C | 3/4" | 52.5 | 75 | 120.8 | 82 | 78.5 | 8 | 6.4 | 34 | 40 | 53 | 33.5 | 24 DC 20 W |
| PPIH02054 | | | | | | | | | | | | | | | 110 AC 25 VA |
| PPIH02055 | | | | | | | | | | | | | | | 220 AC 12 VA |
| PPI01062 | NA | -20° – 90° C | 1" | 52.5 | 80 | 129.3 | 92 | 81 | 8 | 6.4 | 36 | 44.5 | 59 | 40.5 | 24 DC 20 W |
| PPI01064 | | | | | | | | | | | | | | | 110 AC 25 VA |
| PPI01065 | | | | | | | | | | | | | | | 220 AC 12 VA |
| PPI02062 | NC | -20° – 180° C | 1" | 52.5 | 80 | 129.3 | 92 | 81 | 8 | 6.4 | 36 | 44.5 | 59 | 40.5 | 24 DC 20 W |
| PPI02064 | | | | | | | | | | | | | | | 110 AC 25 VA |
| PPI02065 | | | | | | | | | | | | | | | 220 AC 12 VA |
| PPIH02062 | NC | -20° – 180° C | 1" | 52.5 | 80 | 129.3 | 92 | 81 | 8 | 6.4 | 36 | 44.5 | 59 | 40.5 | 24 DC 20 W |
| PPIH02064 | | | | | | | | | | | | | | | 110 AC 25 VA |
| PPIH02065 | | | | | | | | | | | | | | | 220 AC 12 VA |
| PPI01072 | NA | -20° – 90° C | 1 1/4" | 62.7 | - | 159.6 | 125 | - | - | - | - | - | 80 | 52 | 24 DC 20 W |
| PPI01074 | | | | | | | | | | | | | | | 110 AC 25 VA |
| PPI01075 | | | | | | | | | | | | | | | 220 AC 12 VA |
| PPI02072 | NC | -20° – 180° C | 1 1/4" | 62.7 | - | 159.6 | 125 | - | - | - | - | - | 80 | 52 | 24 DC 20 W |
| PPI02074 | | | | | | | | | | | | | | | 110 AC 25 VA |
| PPI02075 | | | | | | | | | | | | | | | 220 AC 12 VA |
| PPIH02072 | NC | -20° – 180° C | 1 1/4" | 62.7 | - | 159.6 | 125 | - | - | - | - | - | 80 | 52 | 24 DC 20 W |
| PPIH02074 | | | | | | | | | | | | | | | 110 AC 25 VA |
| PPIH02075 | | | | | | | | | | | | | | | 220 AC 12 VA |
| PPI01082 | NA | -20° – 90° C | 1 1/2" | 62.7 | - | 167.1 | 132 | - | - | - | - | - | 90 | 58 | 24 DC 20 W |
| PPI01084 | | | | | | | | | | | | | | | 110 AC 25 VA |
| PPI01085 | | | | | | | | | | | | | | | 220 AC 12 VA |
| PPI02082 | NC | -20° – 180° C | 1 1/2" | 62.7 | - | 167.1 | 132 | - | - | - | - | - | 90 | 58 | 24 DC 20 W |
| PPI02084 | | | | | | | | | | | | | | | 110 AC 25 VA |
| PPI02085 | | | | | | | | | | | | | | | 220 AC 12 VA |
| PPIH02082 | NC | -20° – 180° C | 1 1/2" | 62.7 | - | 167.1 | 132 | - | - | - | - | - | 90 | 58 | 24 DC 20 W |
| PPIH02084 | | | | | | | | | | | | | | | 110 AC 25 VA |
| PPIH02085 | | | | | | | | | | | | | | | 220 AC 12 VA |
| PPI01102 | NA | -20° – 90° C | 2" | 62.7 | - | 182.1 | 150 | - | - | - | - | - | 100 | 70 | 24 DC 20 W |
| PPI01104 | | | | | | | | | | | | | | | 110 AC 25 VA |
| PPI01105 | | | | | | | | | | | | | | | 220 AC 12 VA |
| PPI02102 | NC | -20° – 180° C | 2" | 62.7 | - | 182.1 | 150 | - | - | - | - | - | 100 | 70 | 24 DC 20 W |
| PPI02104 | | | | | | | | | | | | | | | 110 AC 25 VA |
| PPI02105 | | | | | | | | | | | | | | | 220 AC 12 VA |
| PPIH02102 | NC | -20° – 180° C | 2" | 62.7 | - | 182.1 | 150 | - | - | - | - | - | 100 | 70 | 24 DC 20 W |
| PPIH02104 | | | | | | | | | | | | | | | 110 AC 25 VA |
| PPIH02105 | | | | | | | | | | | | | | | 220 AC 12 VA |



Certificaciones

ISO 9001:2015, ISO 14001:2015

IATF 16949:2016
