



Características y Medidas

Válvula Neumática con accionamiento de palanca

Cuerpo en Aluminio, Palanca en Nylon

Lubricación: No Necesaria

Retorno: Manual o Resorte

Vías: 5/2 o 5/3

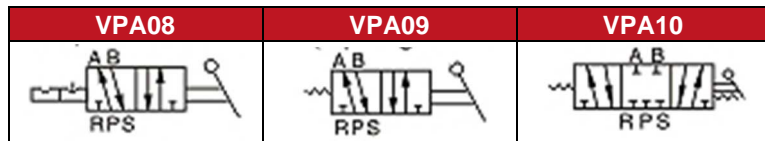
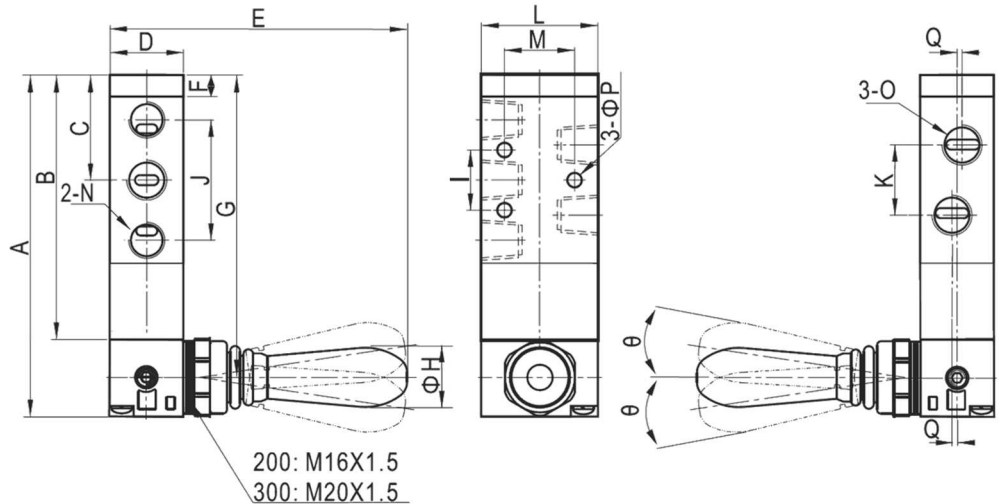
Presión de trabajo: 0 — 115 psi

Temperatura de trabajo -20° — 70° C

Fluidos: Aire comprimido filtrado a 40 µm

Material del O-Ring: NBR

Tipo de cuerda: NPT



| Modelo | Vías | Retorno | A | B | C | D | E | F | G | H | I | J | K | L | M | N | O | P | Q | φ | L/Min Max |
|---------|--------------|----------|------|------|------|----|------|-----|------|----|----|----|----|----|------|------|------|-----|-----|-----|-----------|
| VPA0802 | 5/2 | Manual | 81.5 | 57.5 | 32.5 | 22 | 90 | 7.5 | 69.5 | 18 | 20 | 36 | 21 | 35 | 23.5 | 1/8" | 1/4" | 4.3 | 1.5 | 15 | 1700 |
| VPA0902 | | Resortes | | | | | | | | | | | | | | | | | | | |
| VPA0803 | | Manual | 101 | 73 | 40 | 27 | 93.5 | 8 | 87 | 18 | 24 | 45 | 24 | 40 | 27.5 | 1/4" | 3/8" | 4.3 | 2 | 18 | 2500 |
| VPA0903 | | Resortes | | | | | | | | | | | | | | | | | | | |
| VPA1002 | 5/3 Cerrados | Resortes | 101 | 76.5 | 32.5 | 22 | 90.5 | 7.5 | 88.5 | 18 | 20 | 36 | 21 | 35 | 23.5 | 1/8" | 1/4" | 4.3 | 1.5 | 8.5 | 1700 |
| VPA1003 | | Resortes | 120 | 92 | 40.5 | 27 | 94 | 8 | 106 | 18 | 24 | 45 | 24 | 40 | 27.5 | 1/4" | 3/8" | 4.3 | 2 | 10 | 2500 |