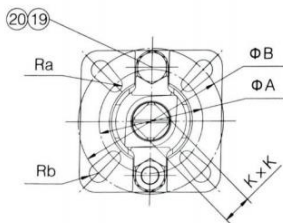
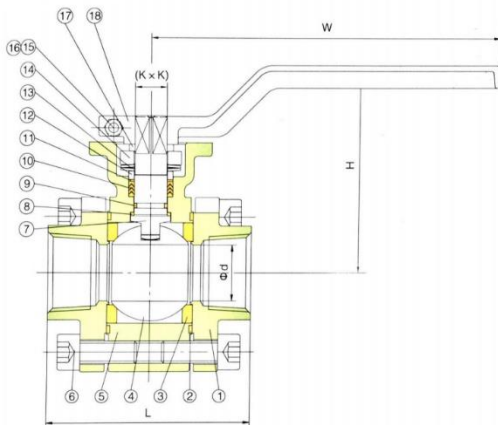


Válvula de Bola 3200 WOG, Acero Inoxidable Serie PB03

Características:

- Cuerpo en Acero Inoxidable 316
- Puerto completo 1/4 – 4 "(DN8-BN100)
- Presión de trabajo 3200 WOG (PN200)
- Temperatura de trabajo -20°C – 180°C
- Fundición de inversión
- Vástago a prueba de explosiones
- Montaje para Actuador ISO 5211
- Tipo de rosca: NPT
- Medidas: 1/2", 3/4", 1", 1 1/2", 2"



| No. | PARTS | MATERIAL | | |
|-----|-----------------|-------------|-----|------|
| 1 | BONNET | WCB | CF8 | CF8M |
| 2 | GASKET | PTFE | | |
| 3 | SEAT | RPTFE/PEEK | | |
| 4 | BALL | CF8 | CF8 | CF8M |
| 5 | BODY | WCB | CF8 | CF8M |
| 6 | HEX SOCKET BOLT | 304 | | |
| 7 | STEM | 304 | 304 | 316 |
| 8 | STEM WASHER | PTFE+25% GF | | |
| 9 | O-RING | FPM | | |
| 10 | PACKING | PTFE | | |
| 11 | WEAR WASHER | PTFE+25% GF | | |
| 12 | GLAND | 304 | | |
| 13 | DISC SPRING | 304 | | |
| 14 | GLAND FLANGE | CF8 | | |
| 15 | NUT | 304 | | |
| 16 | HEX SOCKET BOLT | 304 | | |
| 17 | STOPPER | 304 | | |
| 18 | HANDLE | WCB/CF8 | | |
| 19 | BOLT | 304 | | |
| 20 | NUT | 304 | | |

| SIZE | | d | L | H | W | KxK | A | B | Ra | Rb |
|--------|-------|-----|-----|-----|-----|-------|----|-----|-----|-----|
| 1/4" | DN8 | 10 | 68 | 75 | 140 | 9x9 | 36 | 42 | 3.0 | 3.0 |
| 3/8" | DN10 | 12 | 68 | 75 | 140 | 9x9 | 36 | 42 | 3.0 | 3.0 |
| 1/2" | DN15 | 15 | 75 | 75 | 140 | 9x9 | 36 | 42 | 3.0 | 3.0 |
| 3/4" | DN20 | 20 | 80 | 79 | 140 | 9x9 | 36 | 42 | 3.0 | 3.0 |
| 1" | DN25 | 25 | 90 | 92 | 170 | 11x11 | 42 | 50 | 3.0 | 3.5 |
| 1-1/4" | DN32 | 32 | 110 | 98 | 170 | 11x11 | 42 | 50 | 3.0 | 3.5 |
| 1-1/2" | DN40 | 38 | 120 | 110 | 200 | 14x14 | 50 | 70 | 3.5 | 4.5 |
| 2" | DN50 | 50 | 140 | 118 | 200 | 14x14 | 50 | 70 | 3.5 | 4.5 |
| 2-1/2" | DN65 | 65 | 185 | 145 | 300 | 17x17 | 70 | 102 | 4.5 | 5.5 |
| 3" | DN80 | 80 | 205 | 158 | 300 | 17x17 | 70 | 102 | 4.5 | 5.5 |
| 4" | DN100 | 100 | 240 | 177 | 300 | 17x17 | 70 | 102 | 4.5 | 5.5 |