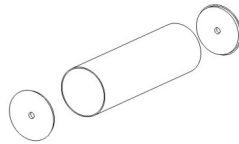
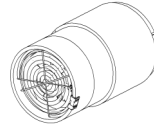
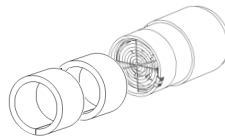
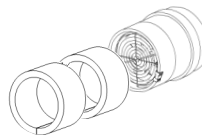


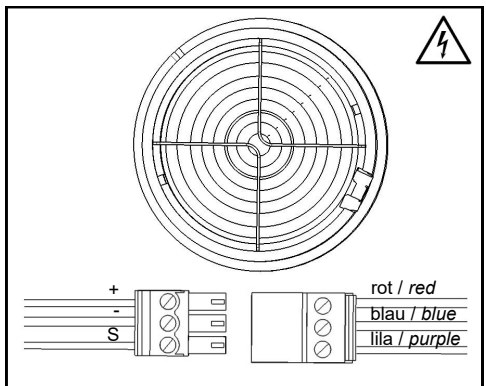
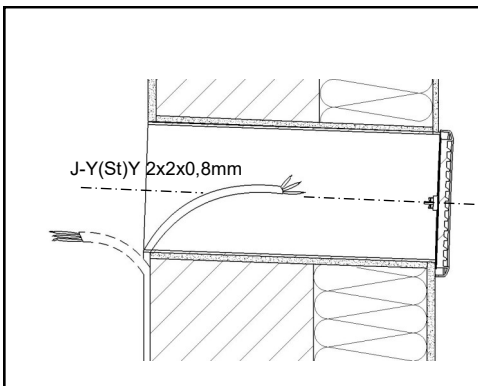
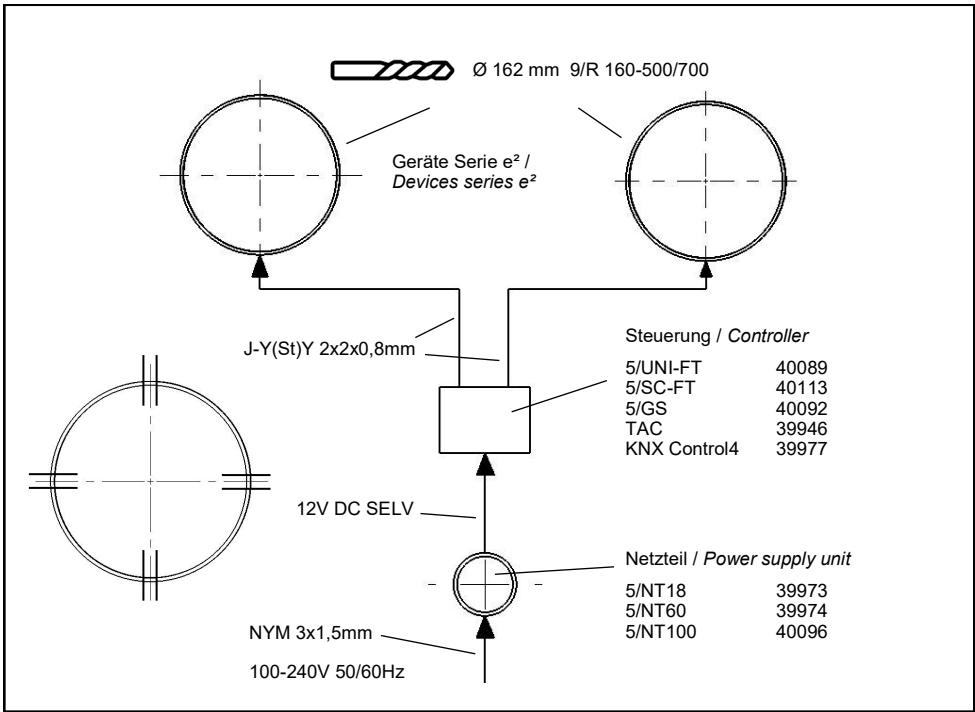
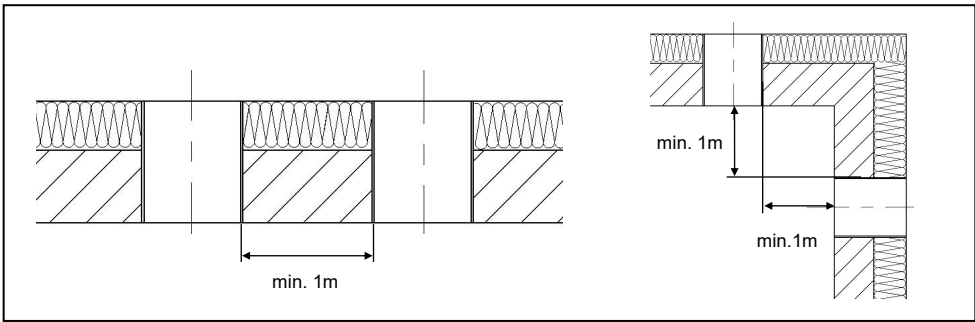
**DE Einbauanleitung
Dezentrales Lüftungssystem
mit Wärmerückgewinnung
Serie e²**

- Bitte an den Nutzer weiterleiten -

**EN Installation Manual
Decentralised Ventilation
System with Heat Recovery
Series e²**

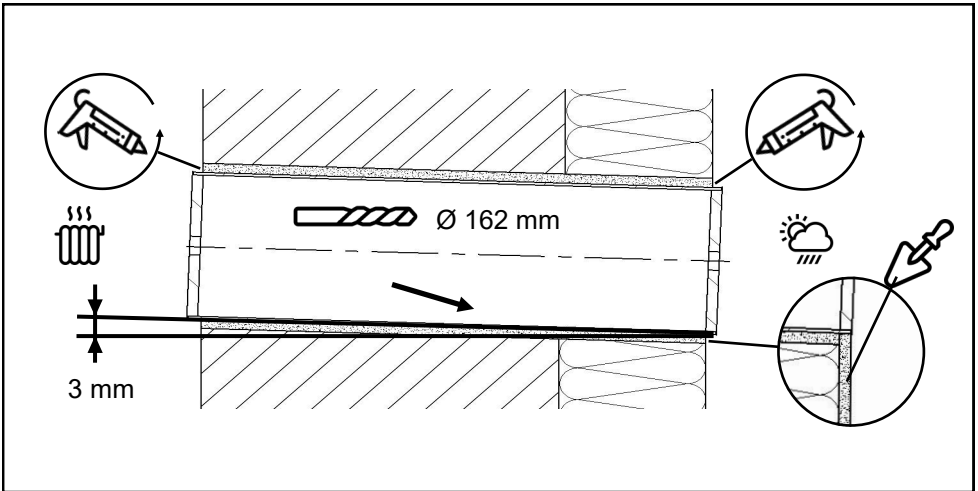
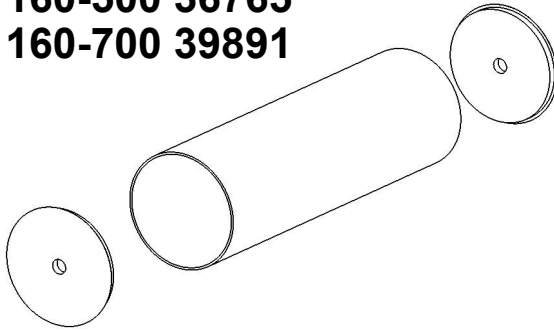
- Please pass on to user -

Inhaltsverzeichnis / Content**9/R 160-500
9/R 160-700****36765
39891****4****e²****39993****5****e²kurz****40003****6****e²60****41157****7****e²60kurz****40150****8****Elektrischer Anschluss
Electrical connection****9****Hinweise
Notes****11
12**

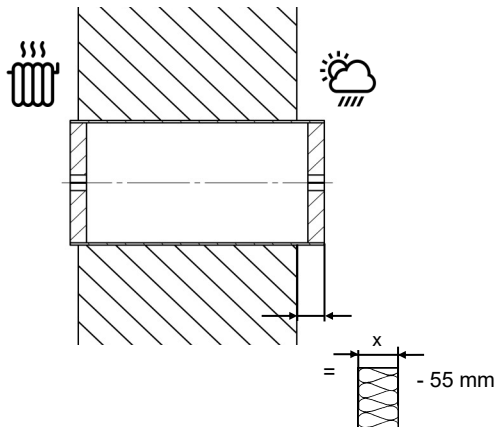
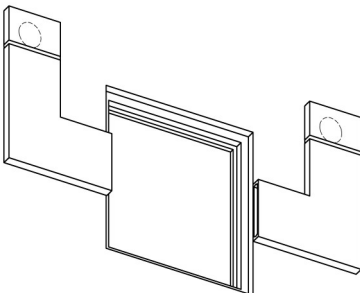




9/R 160-500 36765
9/R 160-700 39891



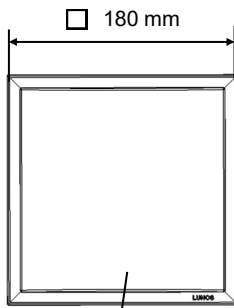
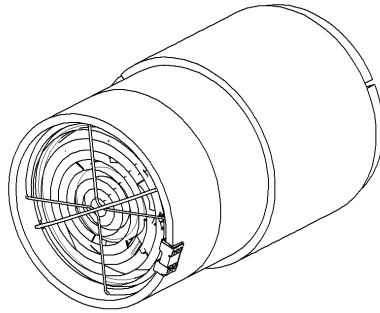
LUNOtherm-S



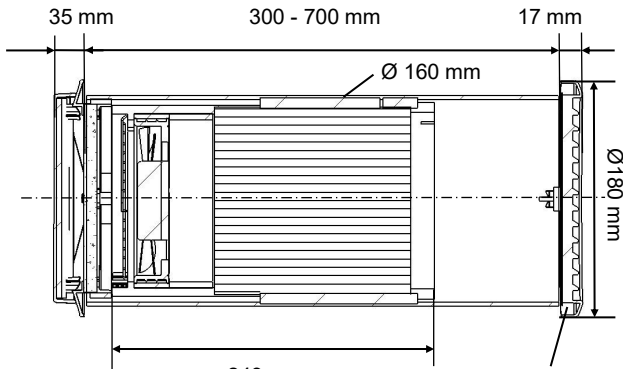


e² 39993

1 (9/FIB-3R 37214)



9/IBE 39851



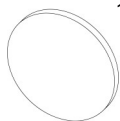
243 mm

1/WE180 39852

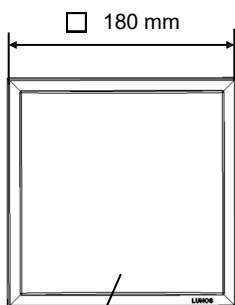
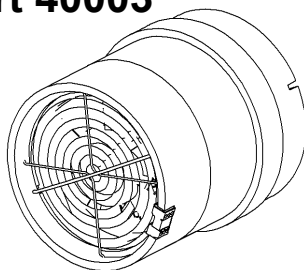
Gerätespannung / <i>Unit voltage</i>	12 V DC SELV, max. 12,6 V
Abmessungen (Ø x L) / <i>Dimensions (Ø x l)</i>	Ø 154 mm, 243 mm
Schutzart / <i>Protection class</i>	IP 22
Volumenstrom / <i>Volume flow</i>	15 - 38 m ³ /h
Schalleistungspegel / <i>Sound power level</i>	29 - 49 dB (A)
Schalldruckpegel 1 m / <i>Sound pressure level 1 m</i>	21 - 41 dB(A)
Wärmebereitstellungsgrad / <i>Heat recovery rate</i>	88%
Spezifische Leistungsaufnahme / <i>Specific power consumption</i>	0,08 W/m ³ /h
Energieeffizienzklasse / <i>Energy efficiency class</i>	A+
DIBt Zulassung / <i>DIBt approval</i>	Z-51.3-450



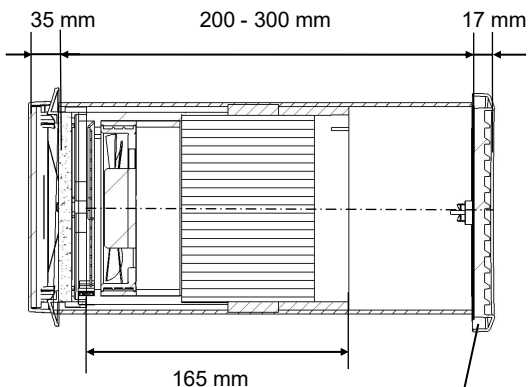
e²kurz / e²short 40003



1 (9/FIB-3R 37214)



9/IBE 39851



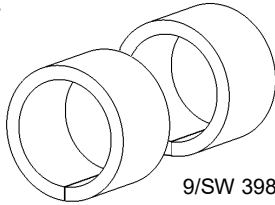
1/WE180 39852

Gerätespannung / <i>Unit voltage</i>	12 V DC SELV, max. 12,6 V
Abmessungen (Ø x L) / <i>Dimensions (Ø x l)</i>	Ø 154 mm, 165 mm
Schutzart / <i>Protection class</i>	IP 22
Volumenstrom / <i>Volume flow</i>	15 - 38 m ³ /h
Schalleistungspegel / <i>Sound power level</i>	29 - 49 dB (A)
Schalldruckpegel 1 m / <i>Sound pressure level 1 m</i>	21 - 41 dB(A)
Wärmebereitstellungsgrad / <i>Heat recovery rate</i>	86%
Spezifische Leistungsaufnahme / <i>Specific power consumption</i>	0,08 W/m ³ /h
Energieeffizienzklasse / <i>Energy efficiency class</i>	A+
DIBt Zulassung / <i>DIBt approval</i>	Z-51.3-450

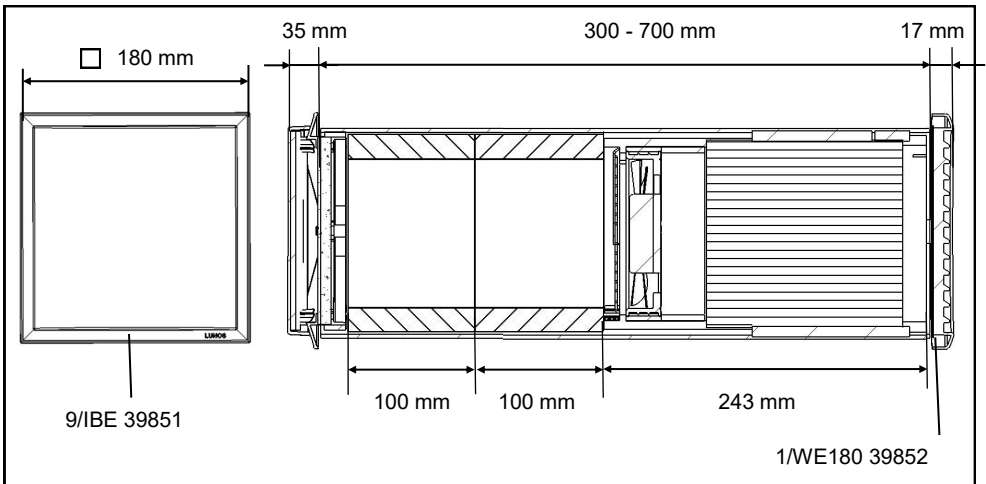
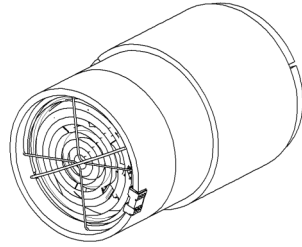


e²60 41157

9/FIB-3R 37214



9/SW 39850

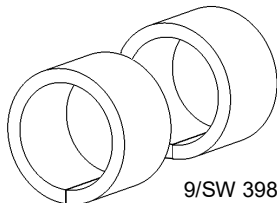
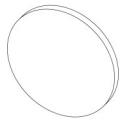


Gerätespannung / Unit voltage	12 V DC SELV, max. 12,6 V
Abmessungen (Ø x L) / Dimensions (Ø x l)	Ø 154 mm, 243 mm
Schutzart / Protection class	IP 22
Volumenstrom / Volume flow	5 - 60 m ³ /h
Schallleistungspegel / Sound power level	18 - 56 dB(A)
Schalldruckpegel 1 m / Sound pressure level 1 m	10 - 48 dB(A)
Wärmebereitstellungsgrad / Heat recovery rate	85%
Spezifische Leistungsaufnahme / Specific power consumption	0,05 W/m ³ /h
Energieeffizienzklasse / Energy efficiency class	A+
DIBt Zulassung / DIBt approval	Z-51.3-455

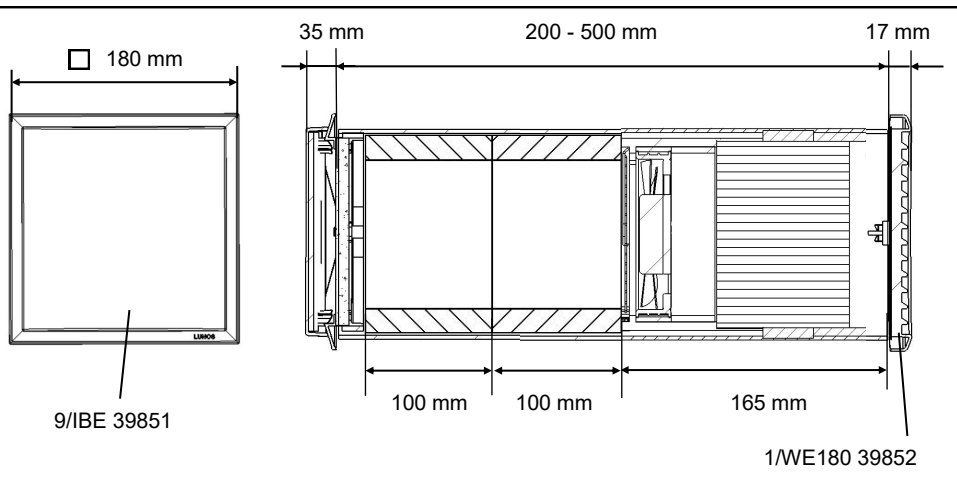
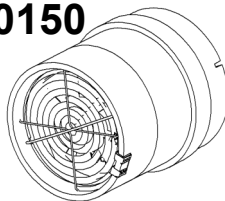


e²60kurz / e²60short 40150

9/FIB-3R 37214



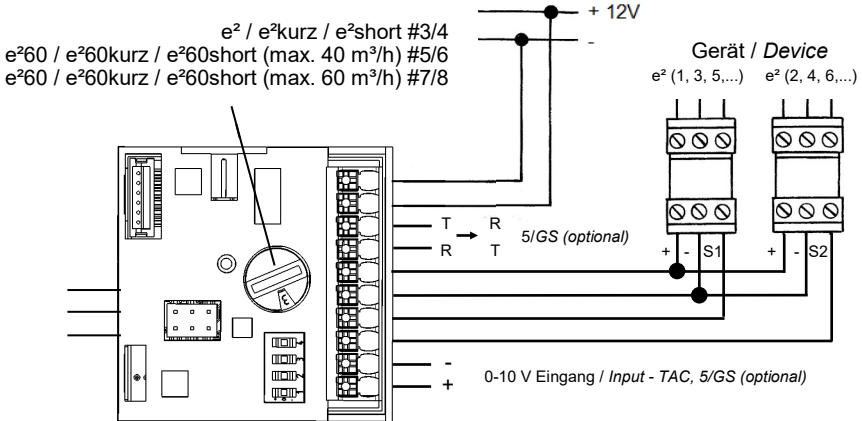
9/SW 39850



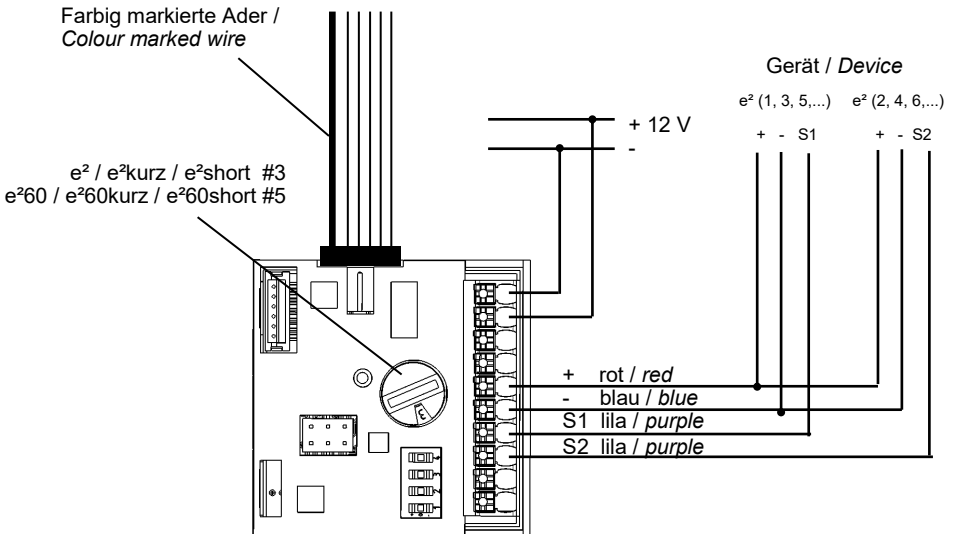
Gerätespannung / Unit voltage	12 V DC SELV, max. 12,6 V
Abmessungen (Ø x L) / Dimensions (Ø x l)	Ø 154 mm, 165 mm
Schutzart / Protection class	IP 22
Volumenstrom / Volume flow	5 - 60 m ³ /h
Schalleistungspegel / Sound power level	18 - 56 dB(A)
Schalldruckpegel 1 m / Sound pressure level 1 m	10 - 48 dB(A)
Wärmebereitstellungsgrad / Heat recovery rate	83%
Spezifische Leistungsaufnahme / Specific power consumption	0,05 W/m ³ /h
Energieeffizienzklasse / Energy efficiency class	A+
DIBt Zulassung / DIBt approval	Z-51.3-455



5/UNI-FT 40089

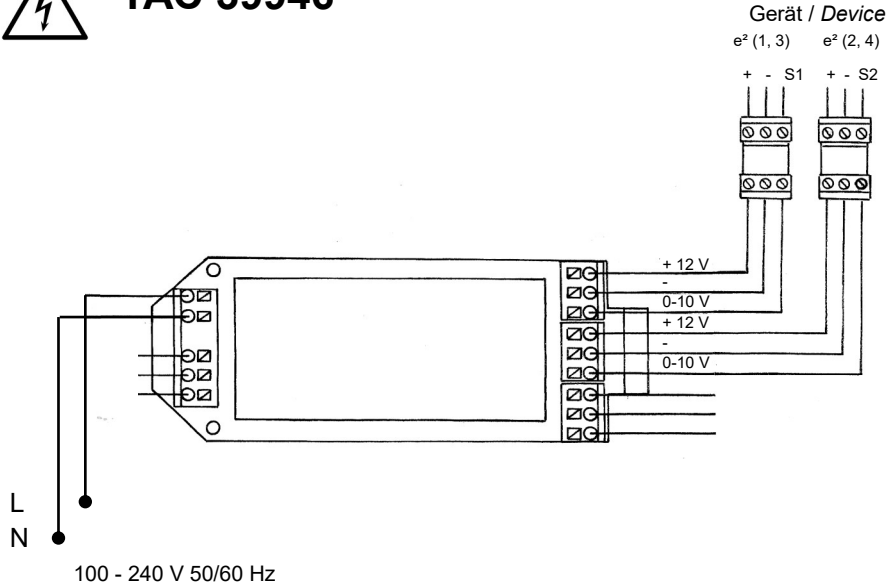


5/SC-FT 40113



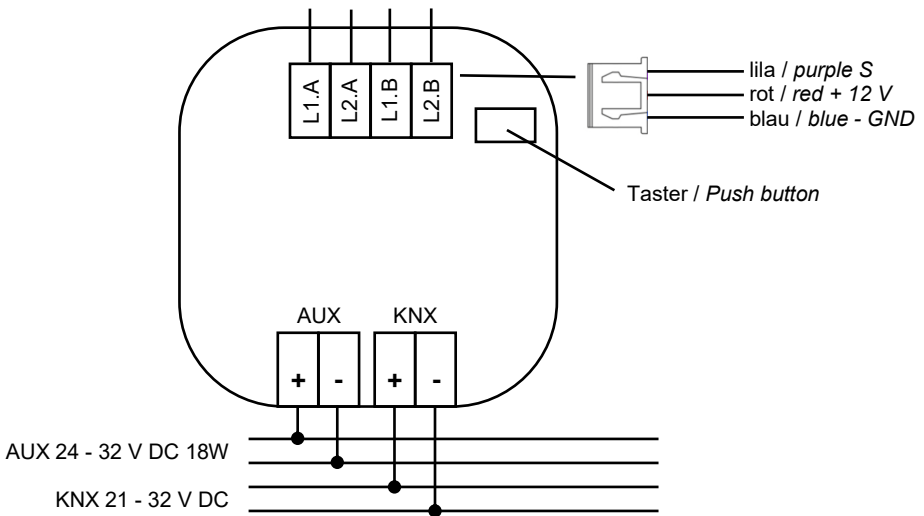


TAC 39946



KNX Control4 39977

Gerät / Device 1 2 3 4



- Read this manual carefully and completely before assembly! Always observe the general safety instructions and the safety symbols with information in the text.
- Hand out this manual to the user (tenants, proprietors, property management etc.) after completing assembly.

Disposal



The packaging must be sorted before disposal. If you wish to dispose of the device, observe the currently applicable regulations. The municipal office in charge will provide information.

Installation position

Do not position the device above sensitive furniture, surfaces or pictures; the wall beneath the device should remain unused.
Do not position the device above or near room thermostats.

Electrical connection

- ⚠ Caution! Any assembly work (connection to power supply and setting of the miniature switches) may only be carried out after disconnecting the supply voltage.
- ⚠ Make sure that the supply voltage of all connection lines is voltage-free (dead). (Separation from the power supply with a minimum contact opening of 3 mm, e.g. electric fuse).
- ⚠ Each electric circuit of this ventilation system must be fitted with a residual current protection (e.g. FI switch/RCCB).
- ⚠ Electric connection only by a specialist.

Additional installations and electrical components in the ventilation unit are not allowed.
Connection diagrams for further fan functions upon request.

Use the following cables for the electric connection:

- Cable to the ventilation units: e.g. J-Y(St)Y(2x2x0,8), min. 0,5 mm², max. 1,5 mm²
- Cable for the supply voltage of the power supply unit e.g. NYM 3 x 1,5 mm²

Note regarding LUNOS outer covers

The solid plastic outer covers provided by LUNOS ensure high resistance to driving rain and can be used in Stress Group III pursuant to DIN 4108-3 (2012-04). Metal or metal-coated covers can be used in Stress Group I pursuant to DIN 4108-3 (2012-04).
In the case of buildings exposed to wind or the risk of strong winds and rain to the outer covers, further measures of weather protection may be required.

Filter replacement

Check the filter (1) every 3 months for contamination. Clean or replace, if required. After inserting the filter, snap the design screen into place in "open position".
The ventilation openings must not be covered or obstructed.

Note: Alternative inner screens are supplied with the corresponding instructions on filter replacement!