

LWZ 180/280

LWZ 180 Premium
LWZ 280 Premium

Product features

- › Centralised ventilation for optimum air quality
- › Heat recovery up to 94%
- › Made in Germany
- › Inbuilt display
- › Easy filter change
- › ERV (Energy Recovery Ventilation) core available for latent energy and humidity management



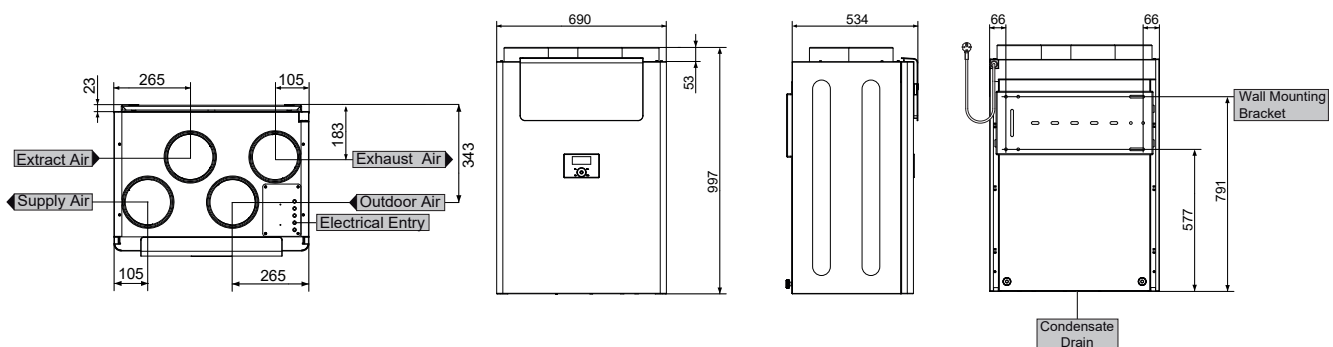
LWZ 180 / 280

Both the LWZ 180 and LWZ 280 heat recovery ventilation units are highly efficient appliances, offering heat recovery levels of up to 94% through an optimised cross-flow heat exchanger. This makes the LWZ 180 and LWZ 280 ventilation units an excellent choice for apartments, houses and small commercial properties.

Model		LWZ 180	LWZ 280
		232361	232362
Heat recovery		Up to 94%	Up to 94%
Air flow rate	m ³ /h	60 - 250	60 - 350
Connection		230 V 1/N/PE 50 Hz	230 V 1/N/PE 50 Hz
Current consumption	A	0.6	0.8
Current consumption with preheating coil	A	7.1	7.3
Power consumption	W	74	134
Power consumption with preheating coil	W	1574	1634
IP rating		IP 21	IP 21
Filter class		Coarse G4, M5 (F7 Optional)	
Application range	°C	15 - 35	15 - 35
Max. ambient temperature	°C	40	40
Available external pressure, ventilation	Pa	160	160
Sound power level with standard ventilation and 50 Pa external	dB(A)	43	48
Type of installation		Wall mounted	Wall mounted
Air duct connection	mm	160	160
Condensate connection	mm	22	22
Width	mm	690	690
Height	mm	997	997
Depth	mm	534	534
Weight	kg	78	78
Electrical installation		AS/NZS3000 & local requirements	
Colour		White	White



Dimensions



STIEBEL ELTRON is committed to our policy of continual improvement, some features may have subsequently been changed or even removed. Our advisors will be happy to consult with you regarding the currently applicable equipment features. The images used in this data sheet are for reference only.