

The Bedenza



- Free-standing cabinet bed is 40% smaller than sleeper sofas
- Low cost alternative to the Murphy bed
- Easy to open and close
- Comfortable - no sagging or rolling to the middle with two sleepers
- Comes with 6-inch mattress





The Kinston features fabulous wicker inlays on the drawer and front panel. Unique.

Dimensions:

W 64" x D 23" x H 43"
Opens to 81 Inches

Available in Queen Size Only

Kinston



Classic features a white bead board. Classic.

Dimensions:

W 64" x D 23" x H 43"

Opens to 81 Inches

Available in Queen Size Only



Classic



Veranda

Veranda White is uniformly painted, sure to match any style.

Dimensions:

W 64" x D 23" x H 43"

Opens to 81 Inches

Available in Queen Size Only





Veranda Ash is pickled finish on acacia veneer that shows natural wood features. Brilliant.

Dimensions:

W 64" x D 23" x H 43"

Opens to 81 Inches

Available in Queen Size Only

Veranda Ash

Veranda Charcoal is hand painted and as such shows variation in the silvery gray stain. Elegant.

Dimensions:

W 64" x D 23" x H 43"

Opens to 81 Inches

Available in Queen Size Only



Veranda Charcoal



Queenie White is uniformly painted. Gorgeous.

Dimensions:

W 64" x D 23" x H 43"

Opens to 81 Inches

Available in Queen Size Only



Queenie White

Queenie Black is uniformly painted. Chic.

Dimensions:

W 64" x D 23" x H 43"

Opens to 81 Inches

Available in Queen Size Only



Queenie Black



Queenie Ash has a pickle finish on acacia veneer that shows natural wood features.

Dimensions:

W 64" x D 23" x H 43"
Opens to 81 Inches

Available in Queen Size Only



Queenie Ash

Espresso is wire brushed finish on poplar veneer with brushed aluminum hardware. Love.

Dimensions:

Queen
W 64" x D 23" x H 43"
Opens to 81 Inches

OR

Full
W 58" x D 23" x H 39"
Opens to 76 Inches



Espresso



Geraldo has a wire brushed finish on poplar veneer with brass hardware. Beautiful.

Dimensions:

Queen

W 64" x D 23" x H 43"

Opens to 81 Inches

OR

Full

W 58" x D 23" x H 39"

Opens to 76 Inches



Geraldo

Chapela has a white wire brushed finish. Crisp, clean. Stunning.

Dimensions:

Queen

W 64" x D 23" x H 43"

Opens to 81 Inches

OR

Full

W 58" x D 23" x H 39"

Opens to 76 Inches



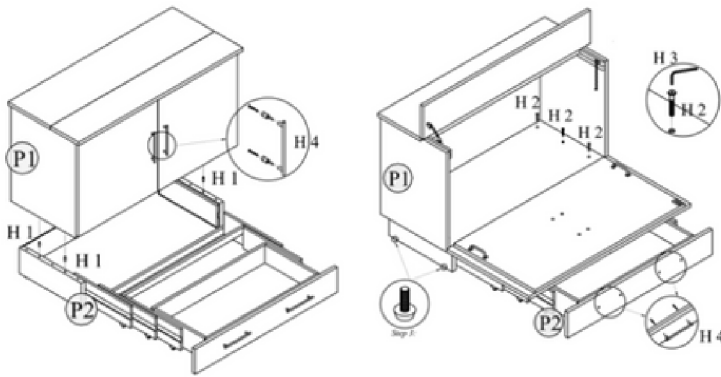
Chapela



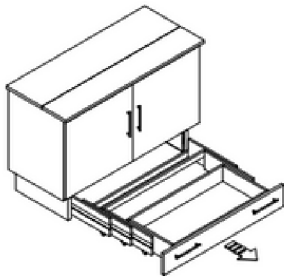
Assembly

Mattress, drawer and upper cabinet are packed in one carton. Open the carton, look for assembly instruction and hardware packet before disposing of packaging material. Hardware is in the drawer. Place drawer where bed will be used. Insert the 4 dowels to align the upper cabinet on the drawer base. Attach the upper cabinet to the drawer with the 6 bolts. Allen wrench is provided.

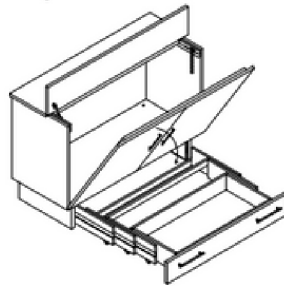
Important: Step 3 shows the levelers. Be sure to extend the levelers if the cabinet bed is used on carpet or there is an uneven floor.



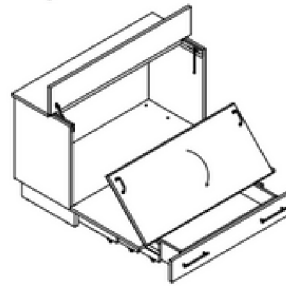
Step 1



Step 2



Step 3



Operation:

Step 1. Pull out the drawer from the center, until it fully extends. This supports the fold out door.

Step 2. Open the flip top and unlatch the slide bolts on either side and the security chain. Then open the fold out panel onto the drawer/base.

Step 3. Pull out the mattress.

Features

The front 10 inches of the top flips up for more head room and to expose the latches that are hidden inside for a clean look. Plus, items can stay on the top to the back when the bed is in use. Cabinet bed can be easily taken apart for moving.

Drawer

The drawer is housed inside of the base and can be used to hold pillows, bedding or whatever one wants. Drawer and runners are felt covered to protect the panels. The queen drawer is W 43-1/2 x D 16 x H 6-3/4 inches - 2.72 cubic feet.

Mattress

The mattress is constructed of two foam layers. The top two inches are a soft high resilient foam and the bottom four inches are a dense foam that keeps the sleeper from bottoming out. The three sections are sewn together forming a Z-fold that doesn't separate. Mattress fits *vertically* in the space saving cabinet.

Dimensions

Queen: W 64 x D 23 X H 43 , opens to 81 inches

Full size: W 58 x D 23 x H 39 , opens to 76 inches.



**Call Milk and Honey at 636.422.1122
for more information or to order.**