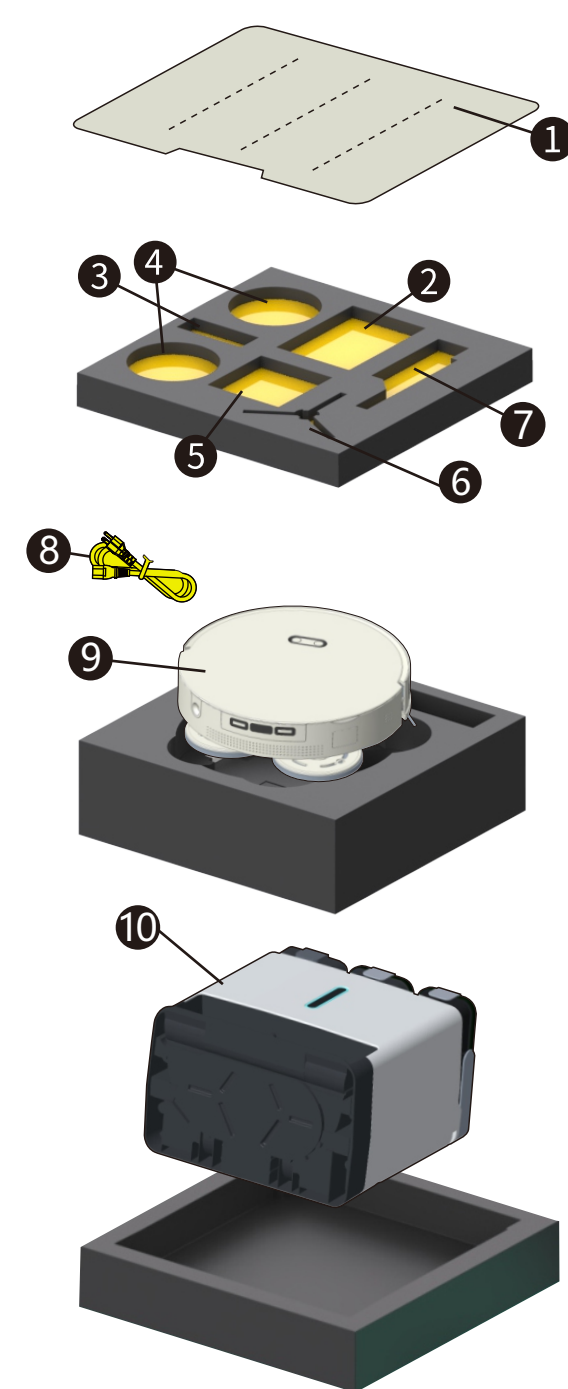


Quick Start Guide

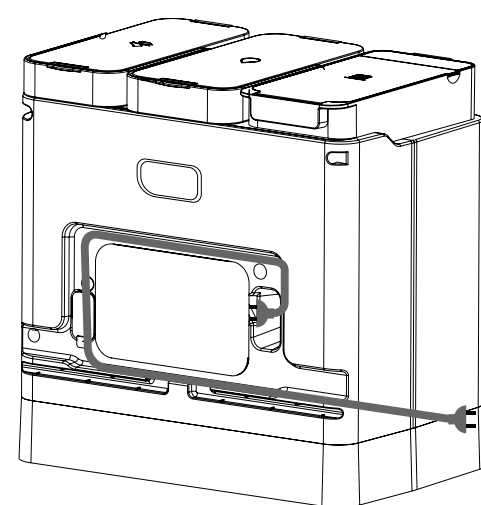
Product Introductions



- 1 Quick Start Guide
- 2 Owner's Manual
- 3 HEPA*2
(installed in factory *1, replacement *1, one is already installed inside the robot and the other one is placed in the protective form)
- 4 Mopping cloth*2 pairs
(installed in factory *1, replacement *1, one is already installed inside the robot and the other one is placed in the protective form)
- 5 Disposable dust bag
(installed in factory *1, replacement *1, one is already installed inside the dock and the other one is placed in the protective form)
- 6 Edge sweeping brush
(installed in factory *1, replacement *1, one is already installed inside the robot and the other one is placed in the protective form)
- 7 Cleaning brush
- 8 Power cord
- 9 Robot
- 10 Dock

Installation

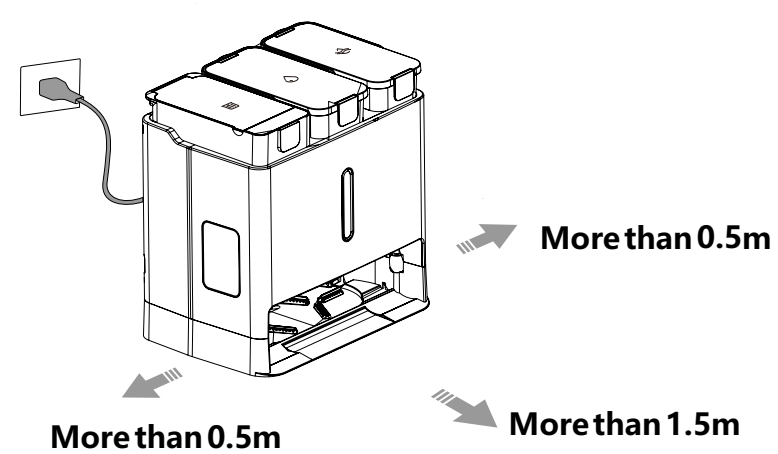
- 1 Plug the power cord in place as shown in the figure, and wrap excessive cord back to the cord holder.



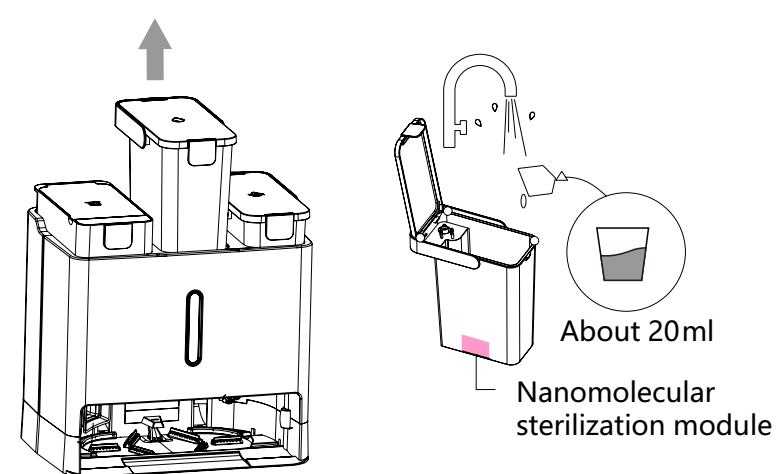
Tips: The power cord can be led out from both the left and the right side of the cord holder.

- 2 Place the dock on a hard and level ground (such as floor or tile) against a wall, and connect the power supply.

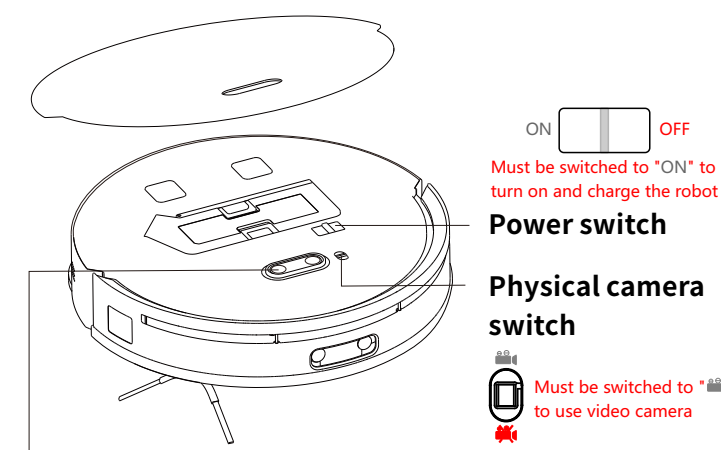
With good WiFi coverage



- 3 Open the clean water tank, add LYNKBHEY original cleaning solution (Optional, Sold separately), and then fill with tap water to the MAX level mark



- 4 Open the top cover of the robot, remove the anti-collision foam, and turn on the power switch, wait until the Start/Stop button indicator keeps on steadily. Then load the robot onto the dock for charging.



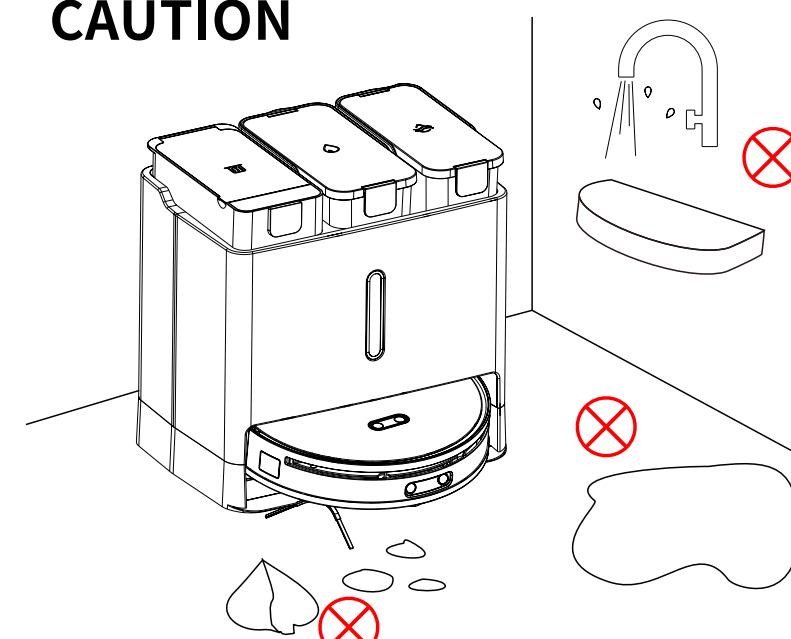
Description of

- Start/Stop Button
Press: Start/Stop
Press and hold for 3s: Exit current mode
- Home Button
Press: Return to the dock for charging
Press and hold for 10s: Restore to factory setting

Buttons and status indicators of dock

- Start/Stop Button
Press: Start/Stop
Press and hold for 3s: Exit current mode
- Home Button
Press: Return/leave dock
Press and hold for 3s: Start self-cleaning
- Start/Stop button and Home button
Press and hold simultaneously for 6s: Enable/disable child lock
- Clean water tank status
- Waste water tank status
- Dust bin status
- Battery display status

CAUTION



- Tips:
- Do not use this device to pick up hard or sharp objects on the floor directly, so as to avoid damage.
 - Do not use this device to pick up spills or viscous liquid on the floor directly, so as to prevent the device from immersed in liquid.
 - Do not wipe the robot and the dock with a wet cloth or rinse the same with any liquid.
 - It is recommended that the floor should be vacuumed twice before mopping in the first-time use.

Connecting to Mobile APP

- 1 Scan the QR code under the top cover of the robot, or search for "LINKBEY" in an APP store, or scan the following QR code to download and install LINKBEY App.



- Tips:
- Connect your mobile phone to 2.4GHz WiFi in your home before network configuration.
 - APPs of different versions may have different network configuration interfaces.

- 2 Open the LINKBEY App, click "hot spot connection" icon.



- 3 Add your robot according to the guide on the App.