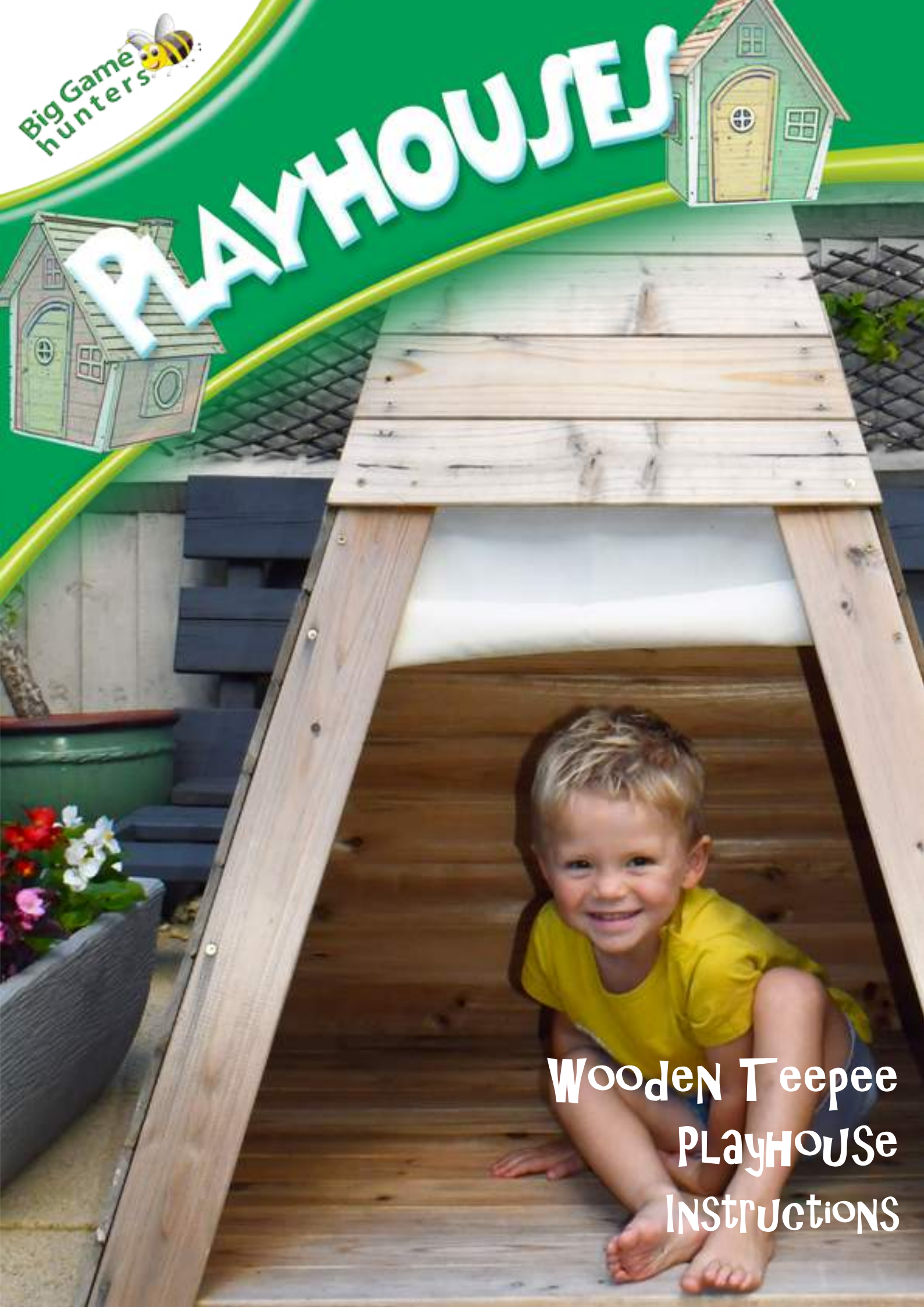


Big Game  
hunters



# PLAYHOUSES



Wooden Teepee  
PLAYHOUSE  
INSTRUCTIONS

## Before Installation

### Check all parts are present!

Our factory takes every effort to make sure everything is packed in its proper place. But just in case a small part has gone astray please make sure you check every piece is present before you begin installing - right down to the screws.

### Assemble with Care

Installation should be completed by two adults. Please make sure you follow all the instructions carefully. If you have any questions during installation please do not hesitate to contact us.

Please make sure you read all the safety warnings and advice in this instruction manual.

Install the playhouse on a level surface and ensure it is at least 2m away from other structures and obstacles such as houses, garages, fences, branches, clothes lines or electrical wires. Never place the playhouse on a wet or loose surface. Never place the playhouse on a hard surface like concrete or asphalt. A fall from a playhouse onto a hard surface like this could result in serious injury. Any modifications made by the consumer must be carried out according to the manufacturer's instructions.

**Please follow the warnings to ensure proper use of this playhouse and ultimately to ensure full enjoyment!**



## Remember...

We strongly recommend looking after these instructions, after all without them it will be a bit tricky to put this product together. Even though we know our customers are more intelligent than most, we still think you may find these instructions useful.

*But if something unexpected were to happen, such as,*

*Your dog ate them or...*

*your children constructed a kite out of them?*

*Maybe your neighbour ran over it with their car?*

You would have nothing to fear because we have uploaded all of our instructions to our website:  
[www.biggamehunters.co.uk](http://www.biggamehunters.co.uk)

## Tools Required

Benötigtes Material / Accessoires / Herramientas  
Strumenti da lavoro / Benodigdheden



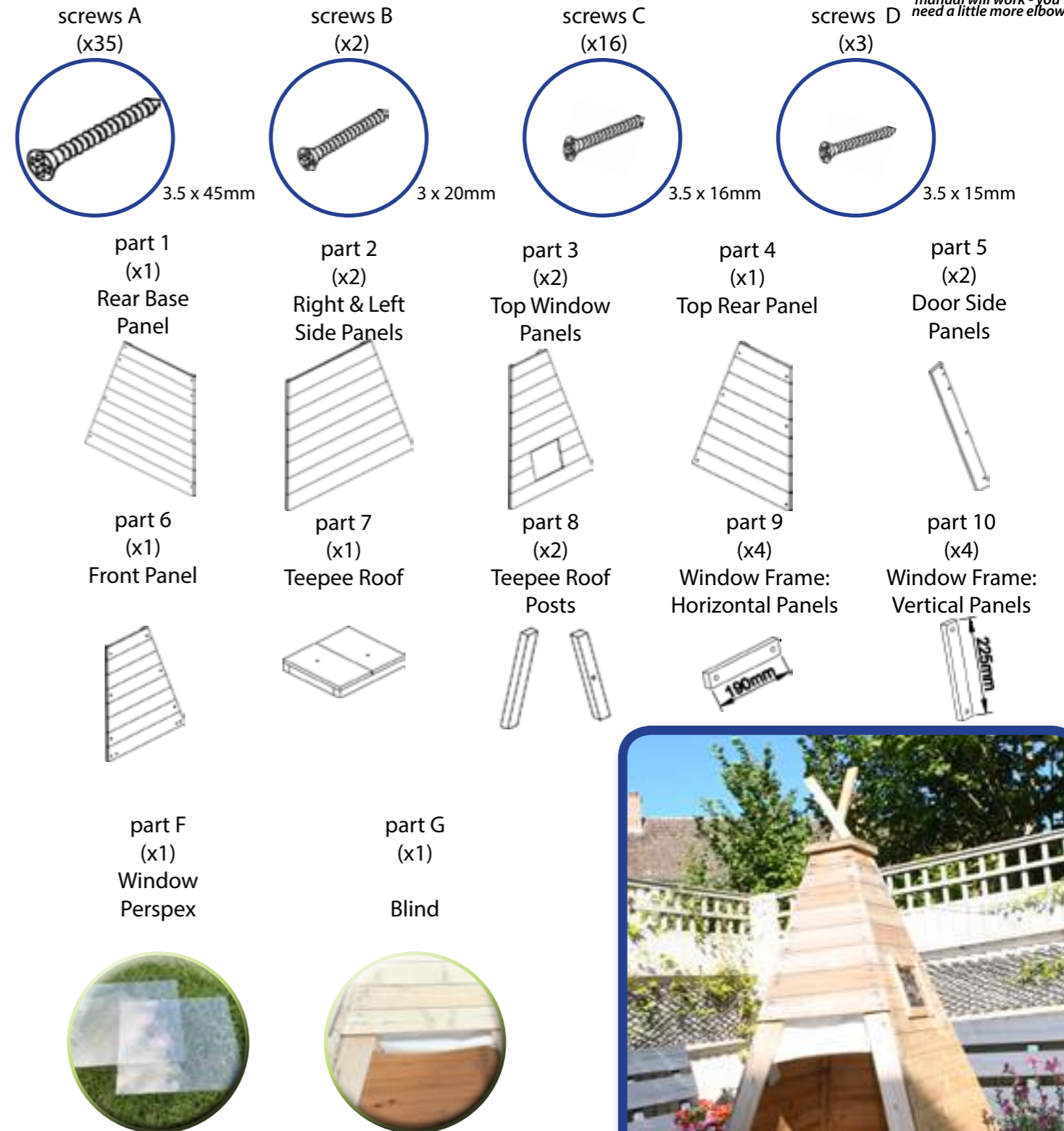
Two pairs of hands

Crosshead Screwdriver

*\*we recommend using an electric screwdriver for ease, but a manual will work - you will just need a little more elbow grease!*

## Parts Included

Unterteile / Liste des pièces / Lista de partes  
Elenco degli elementi / Onderdelen



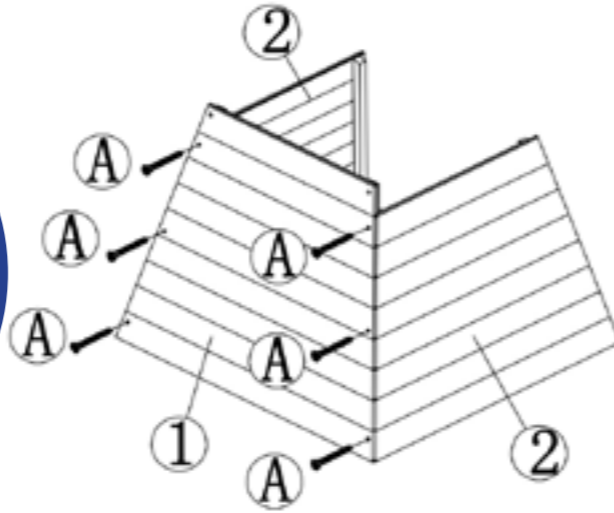
**Important!** Do not fully tighten screws until you get to Step 5

1

### Assemble the Base Panels

*You will need:*  
Part 1 (x1) Rear Base Panel  
Parts 2 (x2) Right & Left Side Panels  
6 x Screws 'A' (3.5 x 45mm)

Fix part 1 (rear base panel) to parts 2 (the side panels) using six screws A.  
Start with the two screws nearest the floor first - this will make it easier to screw the rest in.

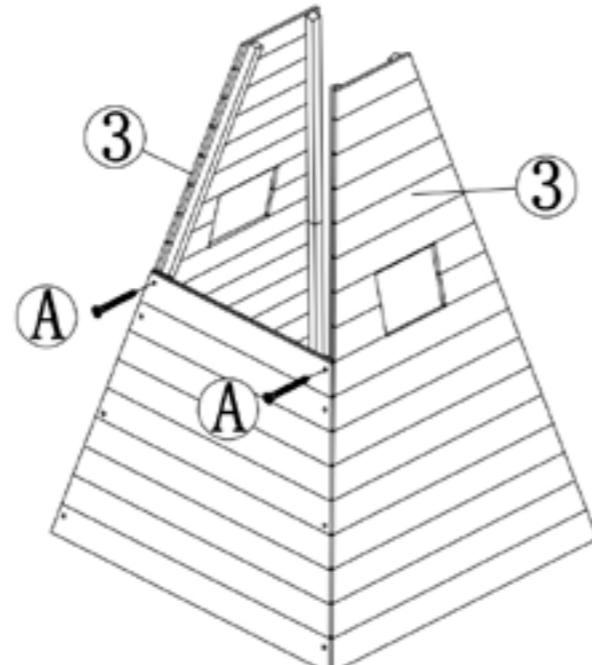


2

### Add the Window Panels

*You will need:*  
Parts 3 (x2) Window Panels  
2 x Screws 'A' (3.5 x 45mm)

Slot parts 3 on top of the assembled parts 1 and 2. Fix these in place with two more screws A.

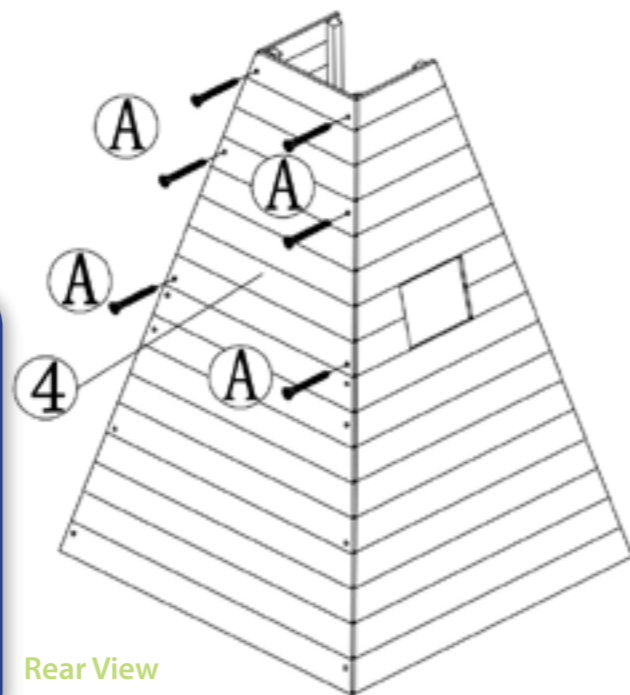


3

### Complete the Main Body

*You will need:*  
Part 4 (x1) Rear Top Panel  
6 x Screws 'A' (3.5 x 45mm)

Complete the main body/structure of the teepee by adding panel 4 to the top at the back. Fix this in place using six screws A.



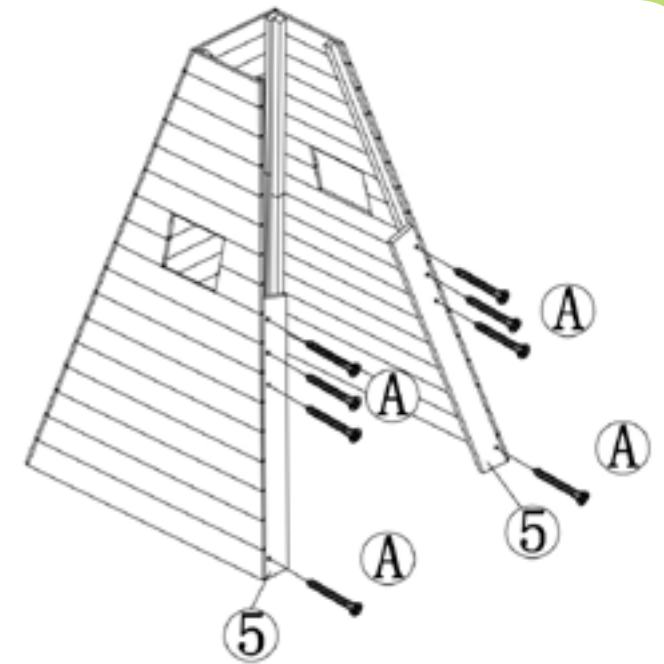
Rear View

4

### Attach Door Panels

*You will need:*  
Parts 5 (x2) Door Side Panels  
8 x Screws 'A' (3.5 x 45mm)

Fix parts 5 (door side panels) in place using four screws A on each.

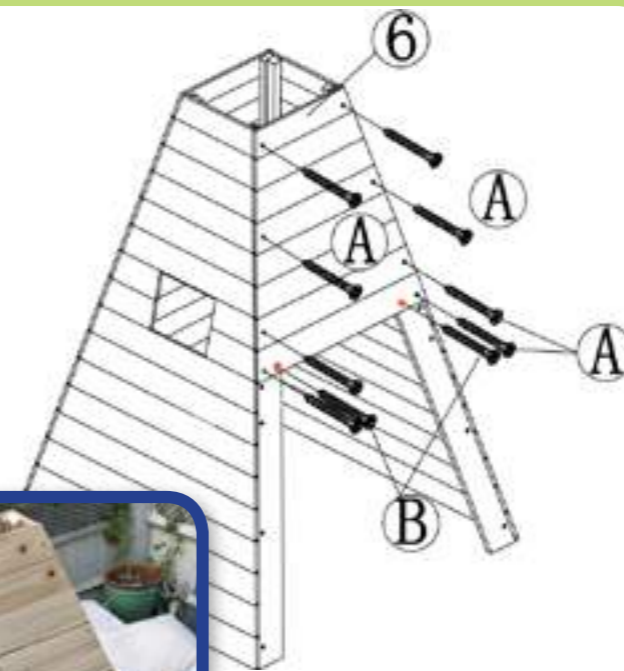


5

### Add the Front Panel

*You will need:*  
Part 6 (x1) Front Panel  
8 x Screws 'A' (3.5 x 45mm)  
2 x Screws 'B' (3.5 x 45mm)

Secure the front panel (part 6) to the front of the teepee using eight screws A and two screws B as shown in the diagram (screws B are the ones at the bottom marked with an orange circle). Then tighten ALL screws around the whole playhouse.



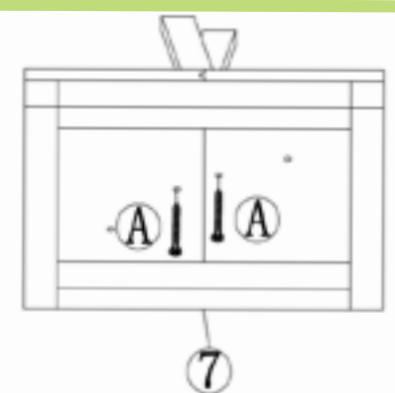
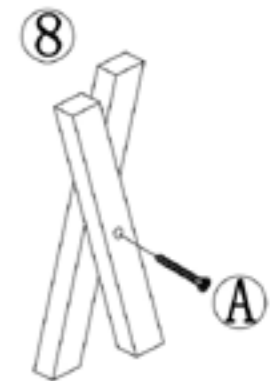
Front View

6

### Create the Roof

*You will need:*  
Parts 8 (x2) Teepee Roof Posts  
Part 7 (x1) Teepee Roof  
3 x Screws 'A' (3.5 x 45mm)

Fix two parts 8 together using one screw A. Then fix these to the roof by screwing two more screws A in from the underside of the roof panel.



7



7

### Attach the Roof

You will need:  
Assembled Roof from Step 6.  
2 x Screws 'A' (3.5 x 45 mm)

Fix the roof to the top of the playhouse using two screws A - as shown in the diagram.

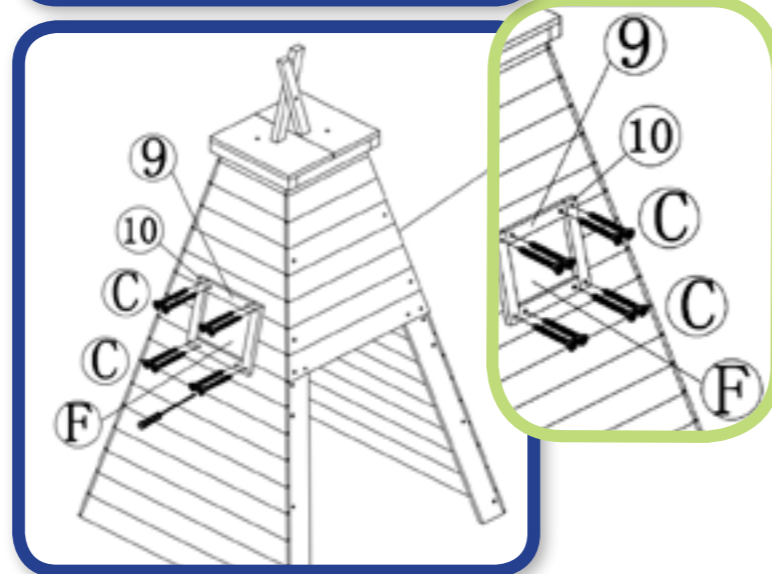


8

### Add the Windows

You will need:  
Parts 9 (x4) Parts 10 (x4) Window Frames  
Parts F (x2) Window Perspex  
16 x Screws 'C' (3 x 16 mm)

Fix the window perspex to the playhouse using parts 9 and 10 (the window frames) and two screws C in all four corners of each window.



9

### Attach the Blind

You will need:  
Parts G (x1) Blind  
3 x Screws 'D'

Screw the three screws D into the horizontal beam on the inside of the door/opening of the playhouse. Then hook the blind onto these screws. You can roll up the blind and secure in place using the sewn in tie. To remove, just unhook the blind - this allows you to wash it when required.



10

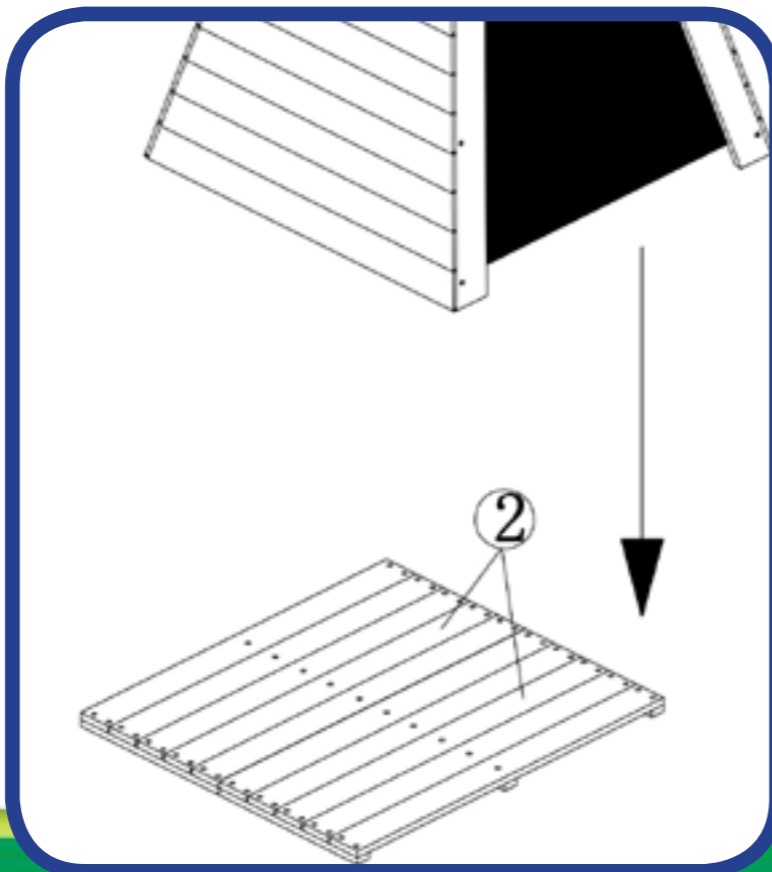
### Add the Floor

You will need:  
**Optional** Floor Panels

If you have not purchased the floor this won't apply to you.

Lay the two floor panels inside the playhouse. You may find it easier to lift the teepee onto the floor - using two adults. \*The floor panels are tapered so only lay along the width of the playhouse.

Make sure your playhouse is situated somewhere flat, well drained and safe - following the instructions on page 1 and 6.



### Inspection & Maintenance

We recommend the following maintenance.

#### Looking After Your Playhouse

Your playhouse is made from heat-treated natural wood. It is also sourced from sustainable forests. The playhouse should be treated on assembly with a wood preserver and it is strongly recommended that you re-treat it once a year to extend the life of your playhouse. On rare occasions, when you first erect the playhouse in wet conditions and where it is wet or rainy for a prolonged time, then followed by a burst of sunshine, it is possible to get some mould on some panels. Please be reassured that this can be washed off with a mould cleaner or wiped down with a baking soda solution. Baking soda is a natural disinfectant and very mild, so this solution cleans mould without leaving a scent. Dissolve baking soda into a water and vinegar solution, spray onto the surface, let it sit for a little while and then wipe with a damp cloth.

#### Weekly to monthly / routine inspection

Regularly check the playhouse for splinters and any signs of wear and tear. It is important to regularly check all parts, including the crossbeams, supports and panels. **If regular checks on the playhouse are not carried out, the unit could overturn or otherwise become a hazard.** It is important to check all screws and tighten or replace where necessary. The following inspection and maintenance should be carried out after assembly and then at least twice a month while in use and at the start of each season;

- check all screws for tightness and tighten when required;
- replace defective parts in accordance with the manufacturer's instructions.

#### Warnings!

**The playhouse is designed for children between 18 months - 10 years old only. The playhouse is designed for use by two children with a combined weight of 100 kg. Do not climb or play on top of the playhouse. Only for domestic use! Designed for outdoor use only! Keep Away From Fire!**

**Warnung! Das Spielhaus ist nur für Kinder zwischen 18 Monaten - 10 Jahren geeignet. Die Spielhäuser sind für zwei Kinder mit einem Gesamtgewicht von 100 kg ausgelegt. Klettern oder spielen Sie nicht auf dem Dach des Spielhauses. Nur für den Hausgebrauch! Nur für den Außenbereich geeignet! Von Feuer fernhalten!**

**Attention! Le théâtre est conçu pour les enfants entre 18 mois - 10 ans seulement. Les playhouses sont conçus pour être utilisés par deux enfants avec un poids combiné de 100kg. Ne grimpez pas et ne jouez pas sur le toit de la salle de spectacle. Pour usage domestique seulement! Conçu pour une utilisation en extérieur seulement! Tenir éloigné du feu!**

**¡Advertencia! La casa de juegos está diseñada para niños de entre 18 meses - 10 años solamente. Los teatros están diseñados para ser utilizados por dos niños con un peso combinado de 100 kg. No trepe ni juegue en el techo de la casa de juegos. ¡Exclusivamente para uso doméstico! Diseñado solo para uso al aire libre! ¡Mantener alejado del fuego!**

**Attenzione! La casetta è progettata per bambini tra i 18 mesi - 10 anni. Le casette sono progettate per essere utilizzate da due bambini con un peso combinato di 100 kg. Non salire o giocare sul tetto della casetta. Solo per uso domestico! Progettato solo per uso esterno! Stai lontano dal fuoco!**

**Waarschuwing! Het speelhuis is ontworpen voor kinderen tussen 18 maanden - 10 jaar oud. De speelhuizen zijn ontworpen voor gebruik door twee kinderen met een gecombineerd gewicht van 100 kg. Klim of speel niet op het dak van het speelhuisje. Alleen voor huishoudelijk gebruik! Alleen ontworpen voor gebruik buitenshuis! Blijf weg van vuur!**

# ARE YOU a PLAY EXPERT?

Take a photo and share it with us using **#littleplayexpert** or **#bigplayexpert** and be part of our growing network of play experts! Thousands of people every day are showing us that they are truly expert at play and playing in so many different ways - are you?



42 likes

@theplayexperts Literally jumping for joy! I think we are seriously #bigplayexpert s! #nevertooold #foreveryoung



107 likes

@theplayexperts our niece and daughter enjoying a game at a family wedding. Never too young for chess!



94 likes

loving the hi tower challenge @theplayexperts - its harder than it looks! #bigplayexpert #littleplayexpert



51 likes

The concentration on their faces! #littleplayexpert @theplayexperts

## Not Just PLAYHOUSES...

You may or may not be aware that we design and make many different kinds of garden games and play equipment as well as our wooden playhouse range. Big Game Hunters has been designing and creating games for children and families since 1997 - so by now we really do know what we are doing. Here are just a few that are great for the whole family as well as just the kids...

The Parachute Game



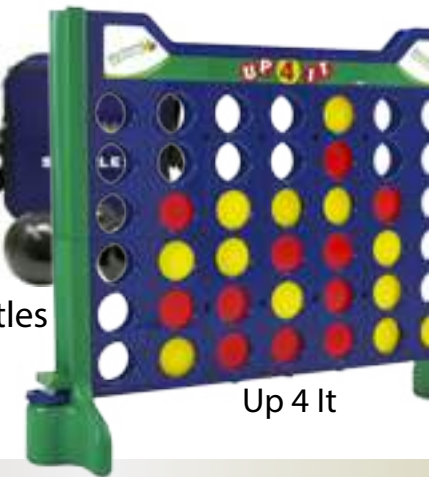
Mega Hi-Tower



Hardwood Boules



Wooden Skittles



Up 4 It

### The logo to look out for...

There are many more products we have created - just look out for our Big Game Hunters logo or flower emblem to be sure you have an official product. The brand is not just a logo, it is the whole family of ideas, service and quality that are behind every product. We are not a huge corporate and do not claim to be - we are proud of who we are and what we create so look out for our brand knowing that each product carrying our logo has a special standard we aim to maintain for years and years to come...



Random Factoid Bubbles

Wooden Playhouses are sometimes called 'Wendy Houses'. This is because in the play 'Peter Pan' by J. M. Barrie, Peter (the boy who never grew up) built a

small house around Wendy when she was shot in Neverland.



Please retain for future reference

+441865 392439  
sales@biggamehunters.co.uk  
biggamehunters.co.uk  
@theplayexperts

