

Big Game
hunters



Mud Kitchens



Triple
Mud Kitchen
Instructions

Tools Required

Benötigtes Material / Accessoires / Herramientas
Strumenti da lavoro / Benodigdheden



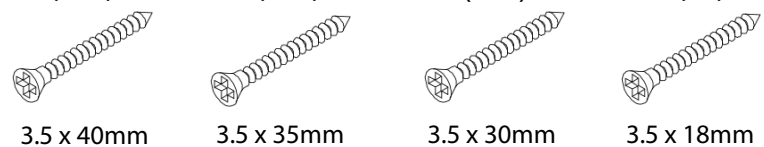
Two pairs of hands

Crosshead Screwdriver

Parts Included

Unterteile / Liste des pièces / Lista de partes
Elenco degli elementi / Onderdelen

screws A (x12) screws B (x37) screws C (x25) screws D (x6)

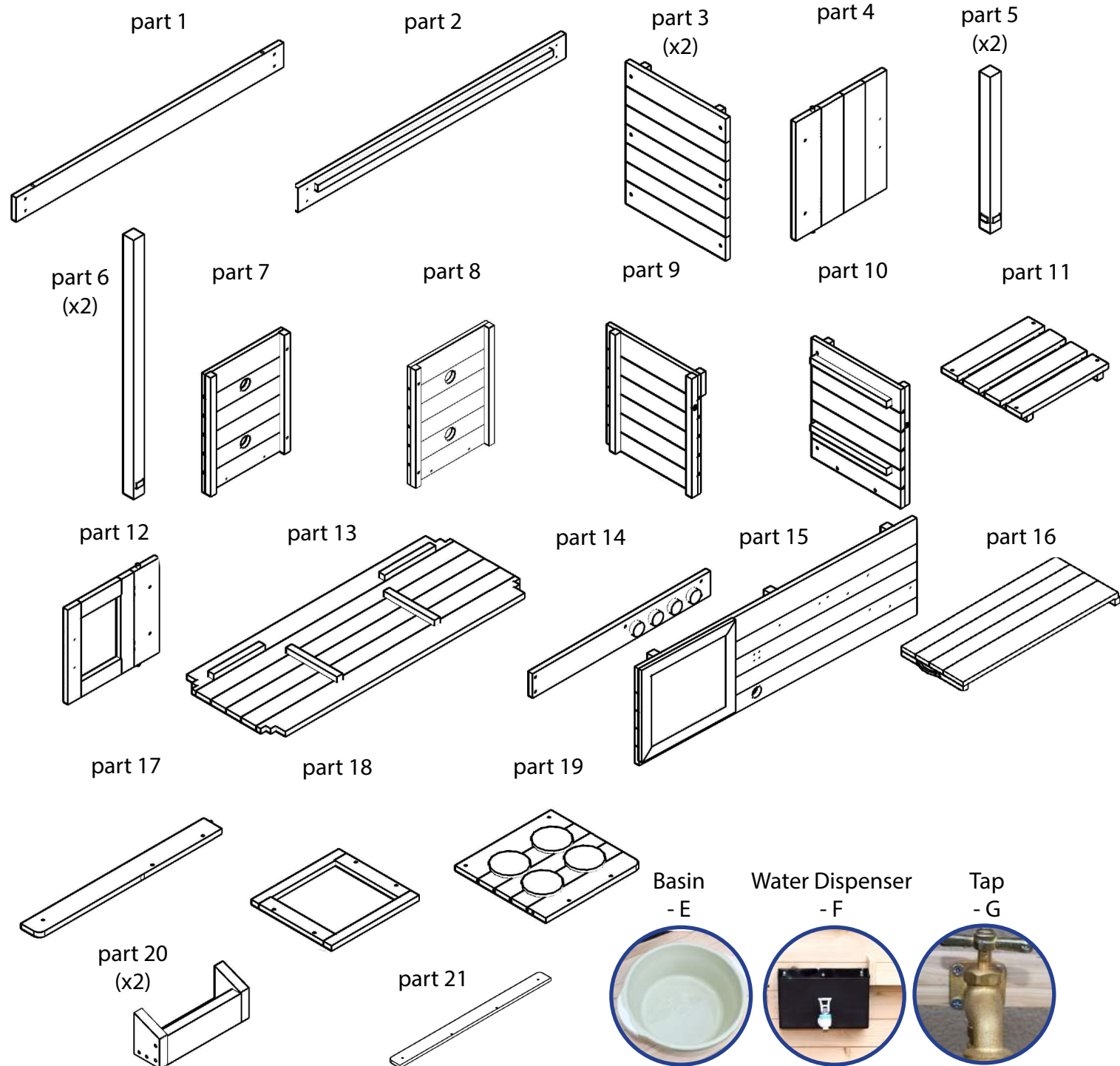


screws H (x4)



**we recommend using an electric screwdriver for ease, but a manual will work - you will just need a little more elbow grease!*

Handles - (x3)



Before Installation

Check all parts are present!

Our factory takes every effort to make sure everything is packed in its proper place. But just in case a small part has gone astray please make sure you check every piece is present before you begin installing - right down to the screws.

Assemble with Care

Installation should be completed by two adults. Please make sure you follow all the instructions carefully. If you have any questions during installation please do not hesitate to contact us. Please make sure you read all the safety warnings and advice in this instruction manual. Install the Mud Kitchen on a level surface and ensure it is at least 2m away from other structures and obstacles such as houses, garages, fences, branches, clothes lines or electrical wires. Never place the product on a wet or loose surface.

Your Mud Kitchen is made from heat-treated natural wood. It is also sourced from sustainable forests. The product is treated with a coat of water-based preserver, but it is **strongly recommended that you treat it with additional preserver on assembly.**

Please follow the warnings for proper use of this Mud Kitchen and ultimately to ensure full enjoyment!



Remember...

We strongly recommend looking after these instructions, after all without them it will be a bit tricky to put this product together. Even though we know our customers are more intelligent than most, we still think you may find these instructions useful.
But if something unexpected were to happen, such as,

Your dog ate them or...

your children constructed a kite out of them?

Maybe your neighbour ran over it with their car?

You would have nothing to fear because we have uploaded all of our instructions to our website:
www.biggamehunters.co.uk

1

Assemble the Sides

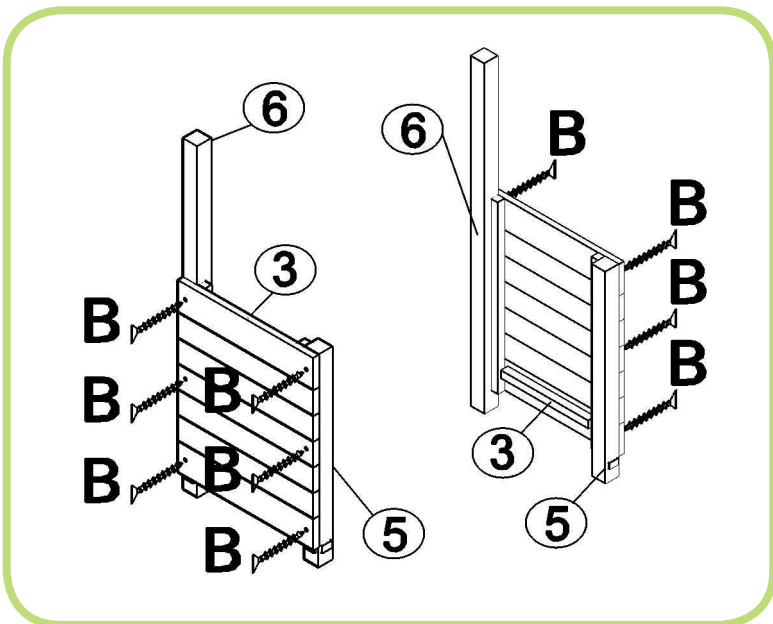
You will need:
 Parts 3 (x2), 5 (x2), 6 (x2)
 12 x Screws 'B' (3.5 x 35mm)

Fix a part 3 to a part 5 and 6 using three screws B on each side. Repeat for the other side.

The batons on parts 3 are at the bottom, facing inwards.

There are small square supports at the bottom of parts 5 and 6; make sure they are facing outwards.

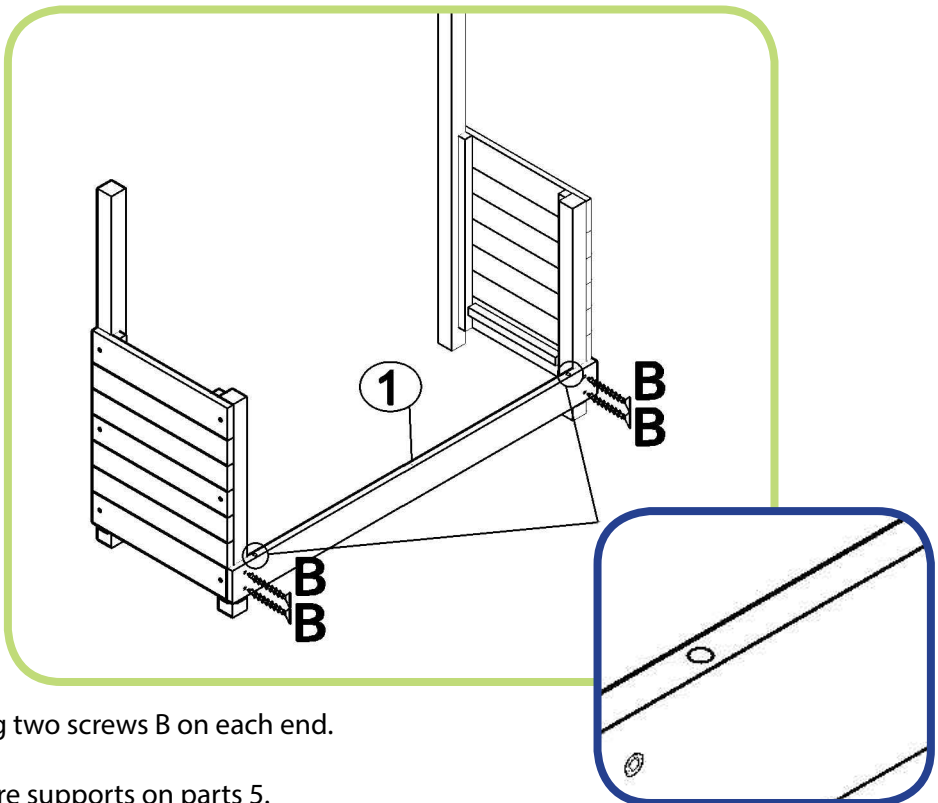
The predrilled holes in parts 3 line up with the holes in parts 5 and 6.



2

Join the Sides

You will need:
 Assembled parts from step 1
 Part 1
 4 x Screws 'B' (3.5 x 35mm)



Fix part 1 to each side using two screws B on each end.

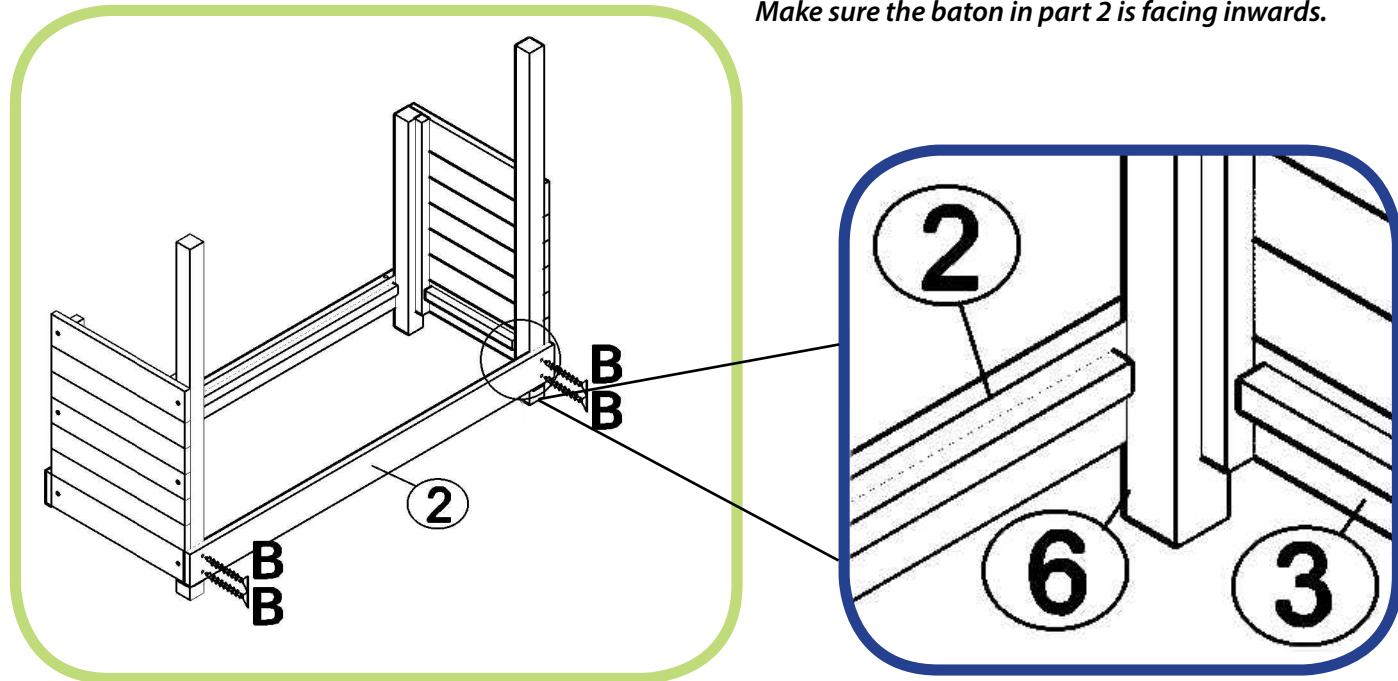
Part 1 sits on the little square supports on parts 5. Make sure the holes are facing upwards as shown.

3

Finish the Frame

You will need:
 Assembled frame from Steps 1 and 2
 4 x Screws 'B' (3.5 x 35mm)

Fix part 2 to the back using 2 screws B on each end. Part 2 sits on the little square supports on parts 6.
Please Note:
 Make sure the baton in part 2 is facing inwards.

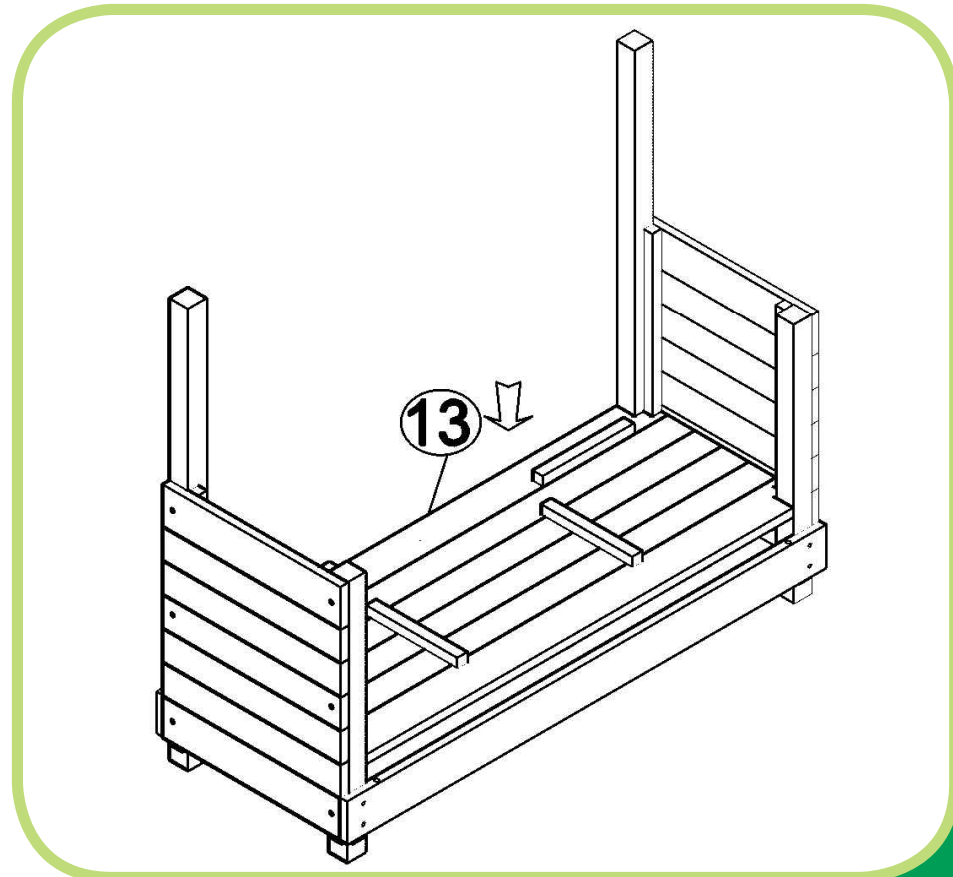


4

Add the Floor

You will need:
 Assembled frame from Step 1 and 2
 Part 13 (Base Shelf)

Slot part 13 in place as shown in the diagram.

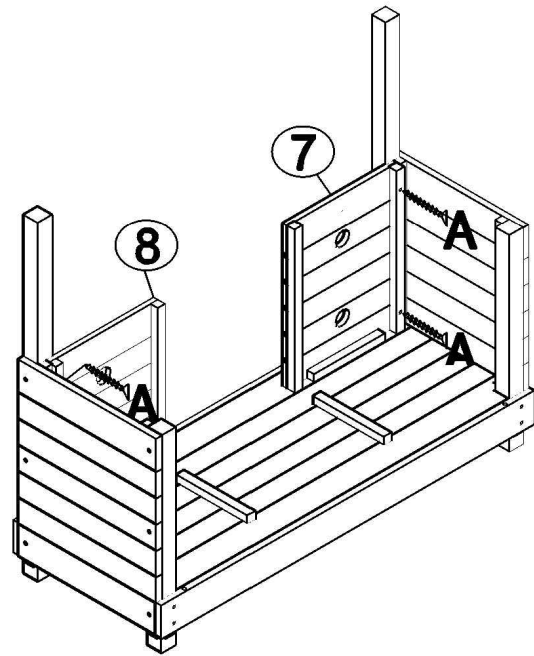


5

Add the Back

You will need:
Assembled parts from steps 1-4
Parts 7 & 8
4 x Screws A (3.5 x 40mm)

Slot parts 7 and 8 in front of the corner posts and fix in place using two screws A on each. Do this from the inside.

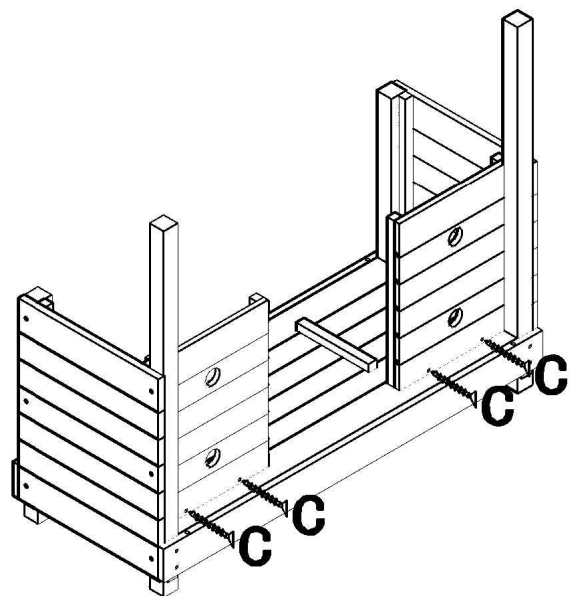


6

Secure the Back

You will need:
Assembled frame from steps 1-5
4 x Screws C (3.5 x 30mm)

Fix the back panels to the batons on the floor using four screws C as shown. These should screw in from the outside.

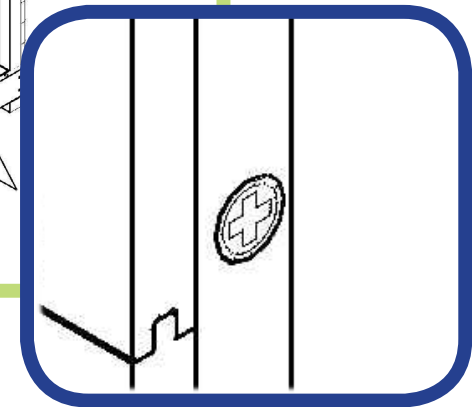
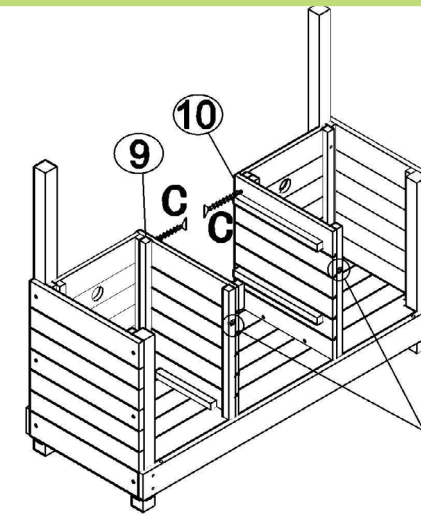


7

Add the Inside Walls

You will need:
Assembled frame from steps 1-6
Parts 9 & 10
4 x Screws C (3.5 x 30mm)

Slot parts 9 and 10 into place and fix to the back panels using two screws C at the top and two at the bottom.
Please Note: The block at the top of part 9 should be facing the front

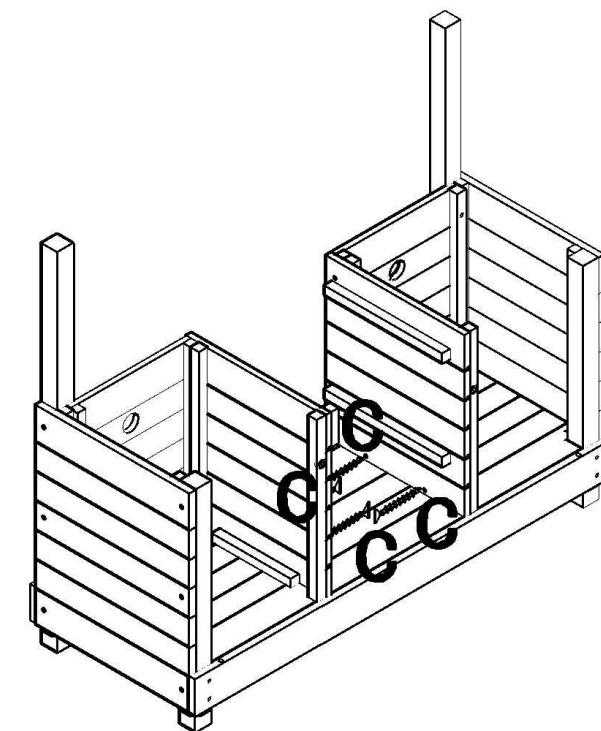


8

Secure the Inside Walls

You will need:
Assembled frame from steps 1-7
4 x Screws C (3.5 x 30mm)

Fix the inside walls to the batons on the floor using two screws C on each.



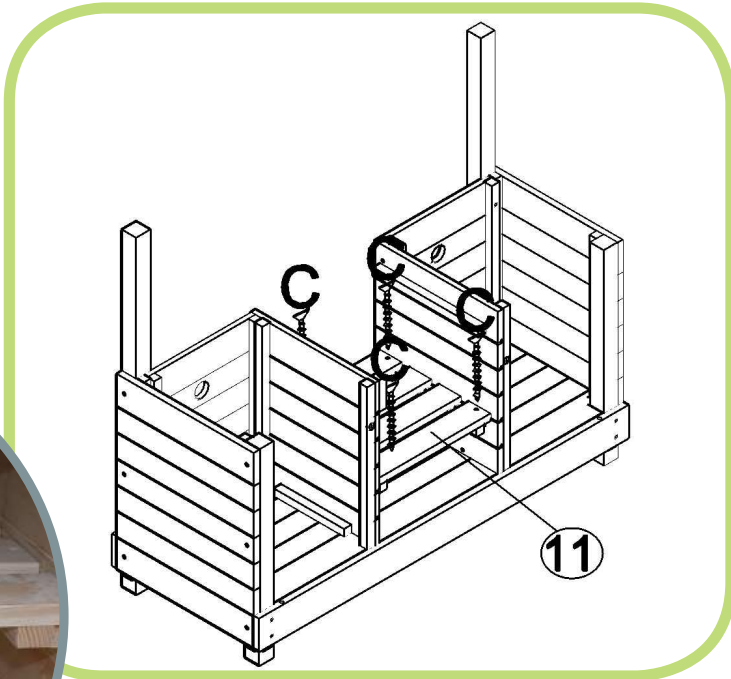
Add the Draining Board

9

You will need:
Assembled frame from steps 1-8
Part 11 (draining board)

4 x Screws C (3.5 x 30mm)

Slot part 11 on top of the lower supports and fix into place using four screws C.



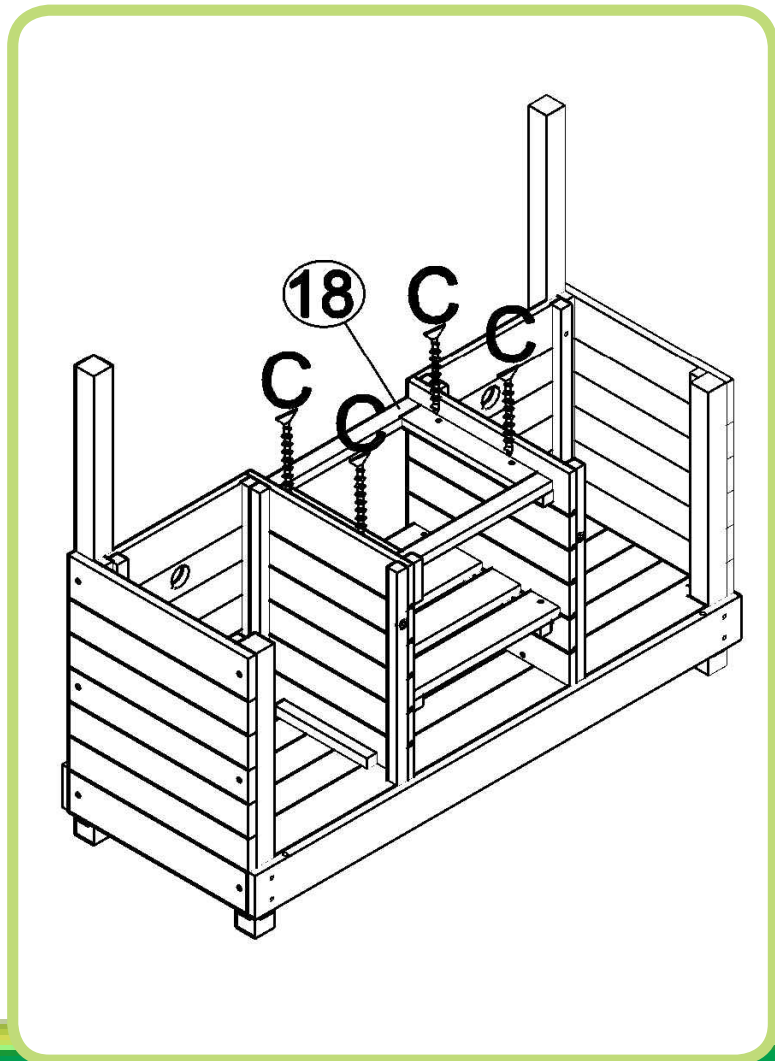
Add the Frame for the Sink

10

You will need:
Part 18 (sink frame)

4 x Screws C (3.5 x 30mm)

Place part 18 on the higher supports and fix into place using four screws C.



Add the Oven Door, Hob and Hob Dials

11

You will need:
Assembled Mud Kitchen from Steps 1-10
Part 12 (oven door)
Part 14 (hob dials)
Part 19 (hob)

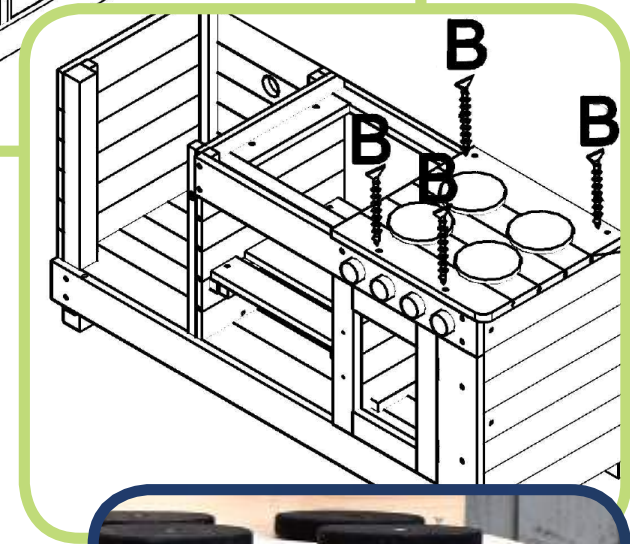
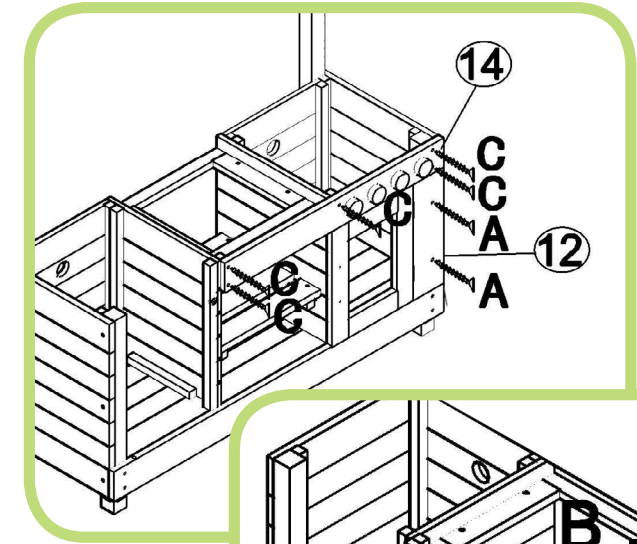
2 x Screw A (3.5 x 40mm)
4 x Screw B (3.5 x 35mm)
5 x Screws C (3.5 x 30mm)

Slot the door (part 12) onto the bottom bar (part 1); using the little dowel.

Fix in place using two screws A as shown.

Now, Slot the hob dials (part 14) onto the oven door, again using the dowel. Fix in place using five screws C.

Fix the hob (part 19) in place using four screws B, making sure the curved corner is front-right.



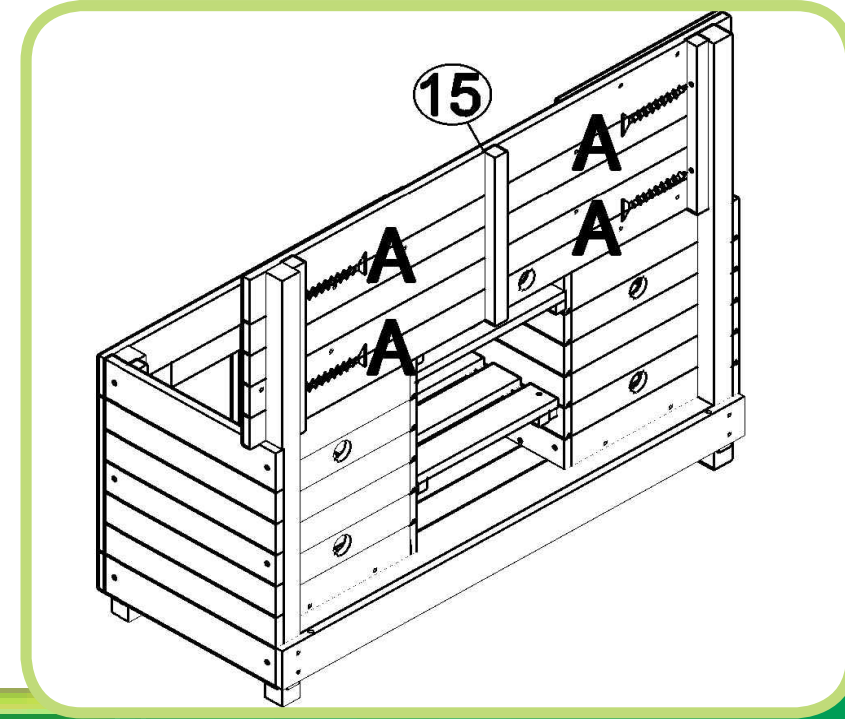
Add the Splash-Back

12

You will need:
Assembled Mud Kitchen from Steps 1-11
Part 15

4 x Screws A (3.5 x 40mm)

Place part 15 at the back of the kitchen, so the outer batons are inside the corner posts. Fix in place using two screws A on each side, outwards as shown.



13

Add the Draining Board and Cupboard Door

You will need:

Parts 4, 16 & 17

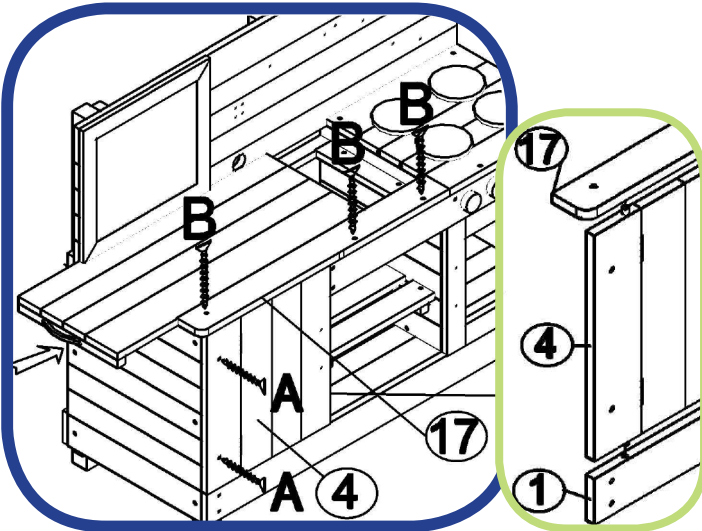
2 x screws A (3.5x40mm)

3 x screws B (3.5x35mm)

Slot the draining board (part 16) next to the splash-back, using the handle.

Slot the cupboard door (part 4) in place, using the dowel, and fix using two screws A.

Slot part 17 on top of the cupboard door, using the dowel, and fix down using three screws B.



Handles

The Finishing Touches

14

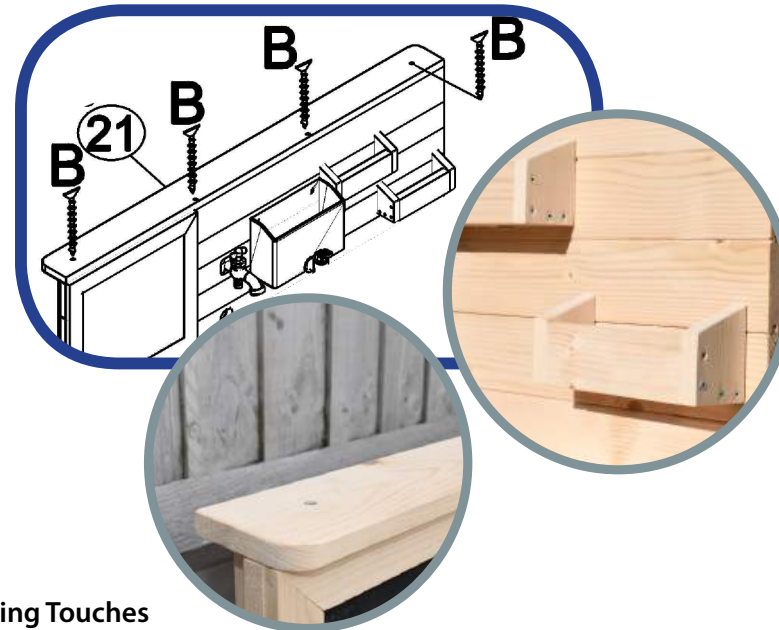
Add the Top Shelf & Little Shelves

You will need:

Part 21, 20 (x 2)

10 x screws B (3.5x35mm)

Line the two small shelves up with the holes in the splash-back. Slot three screws B through the back to fix each shelf in place. Next, place part 21 on top of the splash-back with the overhang at the back. Fix in place using four screws B.



Tap & Water Dispenser

16

You will need:

Tap - G, Water Dispenser - F & Basin - E

6 x screws D (3.5x18mm)

Line the tap up with the holes in the splash-back and screw in place using four screws D. Repeat with the water dispenser using just two screws D but don't fully tighten to allow you to easily lift the dispenser on and off (for filling with water). Place the basin in place.



Your Big Game Hunter's Mud Kitchen is now ready for your little one's many muddy creations...

Inspection & Maintenance

We recommend the following maintenance.



Looking After Your Mud Kitchen

Your Mud Kitchen must be treated once a year with a suitable wood preserver or child-friendly oil to keep the wood healthy and prevent water damage. Wipe the wood with a cloth to remove excess water after each use.

On rare occasions, when you first erect the product in wet conditions and where it is wet or rainy for a prolonged time, then followed by a burst of sunshine, it is possible to get some mould on some panels. Please be reassured that this can be washed off with a mould cleaner or wiped down with a baking soda solution. Baking soda is a natural disinfectant and very mild, so this solution cleans mould without leaving a scent. Dissolve baking soda into a water and vinegar solution, spray onto the surface, let it sit for a little while and then wipe with a damp cloth.

Weekly to monthly / routine inspection

Regularly check the Mud Kitchen for splinters and any signs of wear and tear. It is important to regularly check all parts, including the supports and panels. It is important to check all screws and tighten or replace where necessary.

This inspection and maintenance should be carried out after assembly and then at least twice a month while in use and at the start of each season.

Replace defective parts in accordance with the manufacturer's instructions.



Warnings!



The mud kitchen is designed for children aged 18 months +. For indoor or outdoor use. Do not climb on the Mud Kitchen. Only for domestic use!



Warnung! Die Schlammküche ist für Kinder ab 18 Monaten +. Für den Innen- oder Außenbereich. Klettern Sie nicht auf den Schlammküche. Nur für den Hausgebrauch!



Attention! Cuisine de Boue est conçu pour les enfants entre 18 mois +. Pour un usage extérieur ou intérieur. Ne grimpez pas sur le Cuisine de Boue. Pour usage domestique seulement!



¡Advertencia! La cocina de barro es para niños mayores de 18 meses +. Para uso interno o externo. No subas a la cocina de barro. ¡Exclusivamente para uso doméstico!



Attenzione! La cucina di fango per bambini 18 mesi +. Non arrampicarsi sulla cucina di fango. Per uso interno o esterno. Solo per uso domestico!



Waarschuwing! Het modderkeuken is ontworpen voor kinderen 18 maanden +. Voor gebruik binnen of buiten. Klim niet op de modderkeuken. Alleen voor huishoudelijk gebruik!

ARE YOU a PLAY EXPERT?

Take a photo and share it with us using **#littleplayexpert** or **#bigplayexpert** and be part of our growing network of play experts! Thousands of people every day are showing us that they are truly expert at play and playing in so many different ways - are you?



42 likes

@theplayexperts Literally jumping for joy! I think we are seriously #bigplayexpert s ! #nevertooold #foreveryoung



107 likes

@theplayexperts our niece and daughter enjoying a game at a family wedding. Never too young for chess!



94 likes

loving the hi tower challenge @theplayexperts - its harder than it looks! #bigplayexpert #littleplayexpert



51 likes

The concentration on their faces! #littleplayexpert @theplayexperts

Not Just MUD KITCHENS

You may or may not be aware that we design and make many different kinds of garden games and play equipment.

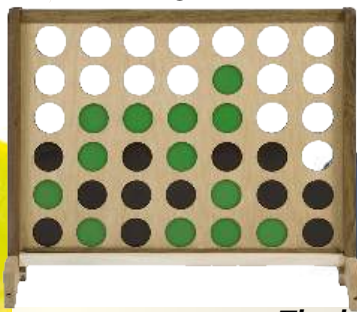
Big Game Hunters has been designing and creating games for children and families since 1997 - so by now we really do know what we are doing.

Here are just a few that are great for the whole family as well as just the kids...

The Parachute Game



Giant Four in a Row Games; Hardwood Big 4 & Jumbo 4



Hardwood Boules



Wooden Skittles



Up 4 It

The logo to look out for...

There are many more products we have created - just look out for our Big Game Hunters logo or flower emblem to be sure you have an official product. The brand is not just a logo, it is the whole family of ideas, service and quality that are behind every product. We are not a huge corporate and do not claim to be - we are proud of who we are and what we create so look out for our brand knowing that each product carrying our logo has a special standard we aim to maintain for years and years to come...



Random Factoid Bubbles

International Mud Day was established in 2009 by school children in Australia and Nepal.

Schools in many countries organise mud play events

CE Please retain for future reference EU Registered Design No. 007244256-0001

+441865 392439
sales@biggamehunters.co.uk
biggamehunters.co.uk
@theplayexperts