



Mud Kitchens



Big Game HUNTERS
SINGLE MUD KITCHEN
INSTRUCTIONS

Tools Required

Benötigtes Material / Accessoires / Herramientas
Strumenti da lavoro / Benodigdheden



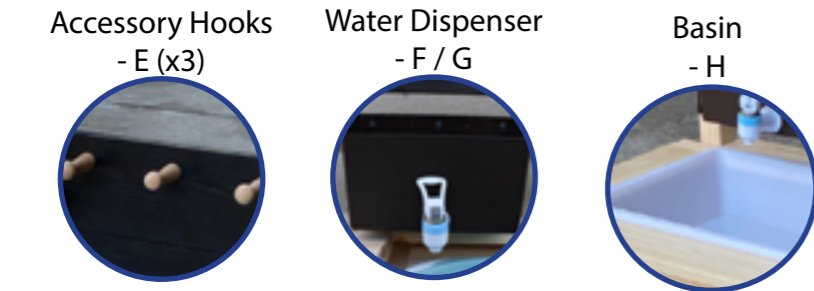
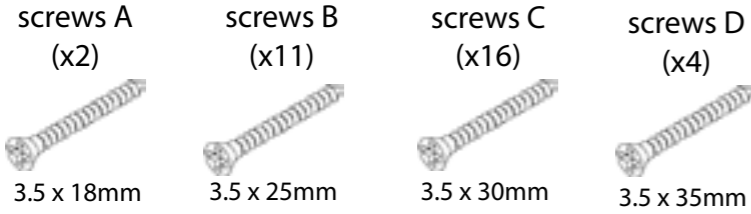
Two pairs of hands

Crosshead Screwdriver

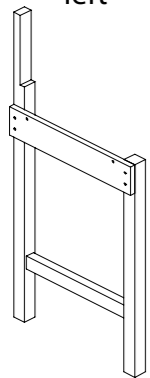
**we recommend using an electric screwdriver for ease, but a manual will work - you will just need a little more elbow grease!*

Parts Included

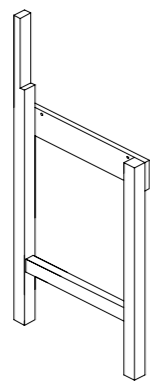
Unterteile / Liste des pièces / Lista de partes
Elenco degli elementi / Onderdelen



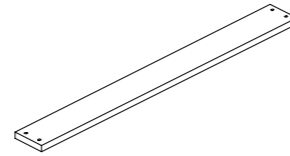
part 1L (x1) kitchen side - left



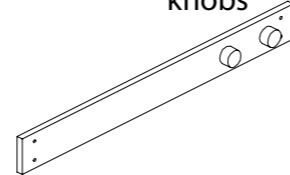
part 1R (x1) kitchen side - right



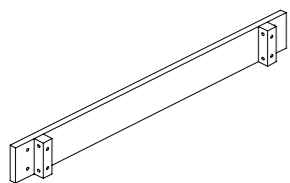
part 2 (x1) bottom ledge



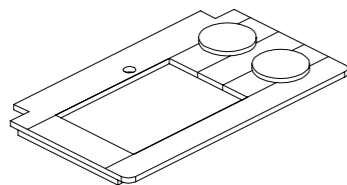
part 3 (x1) kitchen front with twisting knobs



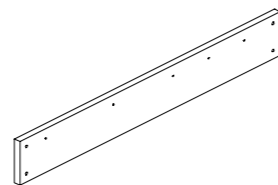
part 4 (x1) kitchen back



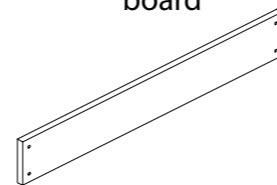
part 5 (x1) hob panel



part 6 (x1) top chalk board



part 7 (x1) bottom chalk board



Before Installation

Check all parts are present!

Our factory takes every effort to make sure everything is packed in its proper place. But just in case a small part has gone astray please make sure you check every piece is present before you begin installing - right down to the screws.

Assemble with Care

Installation should be completed by two adults. Please make sure you follow all the instructions carefully. If you have any questions during installation please do not hesitate to contact us. Please make sure you read all the safety warnings and advice in this instruction manual. Install the Mud Kitchen on a level surface and ensure it is at least 2m away from other structures and obstacles such as houses, garages, fences, branches, clothes lines or electrical wires. Never place the product on a wet or loose surface.

Your Mud Kitchen is made from heat-treated natural wood. It is also sourced from sustainable forests. The product is treated with a coat of water-based preserver, but it is **strongly recommended that you treat it with additional preserver on assembly.**

Please follow the warnings for proper use of this Mud Kitchen and ultimately to ensure full enjoyment!



Remember...

We strongly recommend looking after these instructions, after all without them it will be a bit tricky to put this product together. Even though we know our customers are more intelligent than most, we still think you may find these instructions useful.

But if something unexpected were to happen, such as,

Your dog ate them or...

your children constructed a kite out of them?

Maybe your neighbour ran over it with their car?

You would have nothing to fear because we have uploaded all of our instructions to our website:
www.biggamehunters.co.uk

1

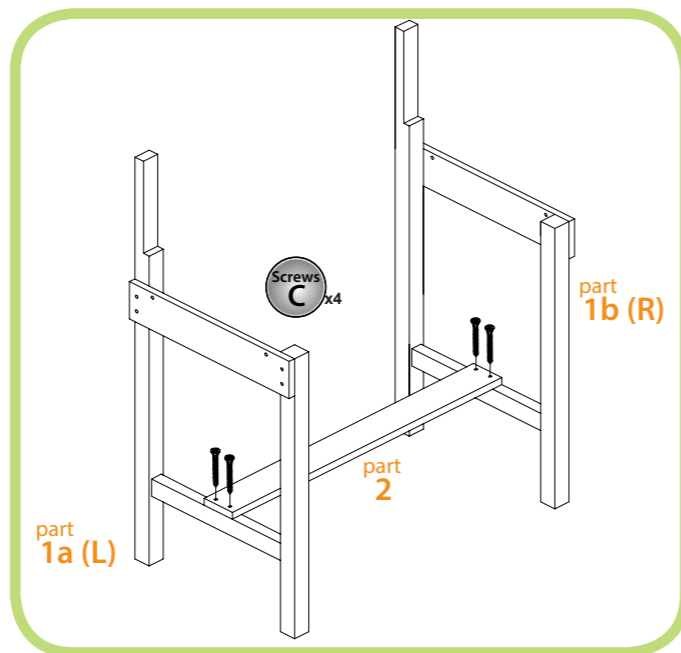
Assemble the Sides

You will need:

- Part 1a & 1b (L & R) kitchen sides
- Part 2 (bottom ledge)
- 4 x Screws C

Join parts 1a and 1b (left & right sides) together by placing part 2 across the bottom of each as shown. Use two screws C on each end to fix in place.

You may want to use a second pair of hands to hold it straight while you do this.



2

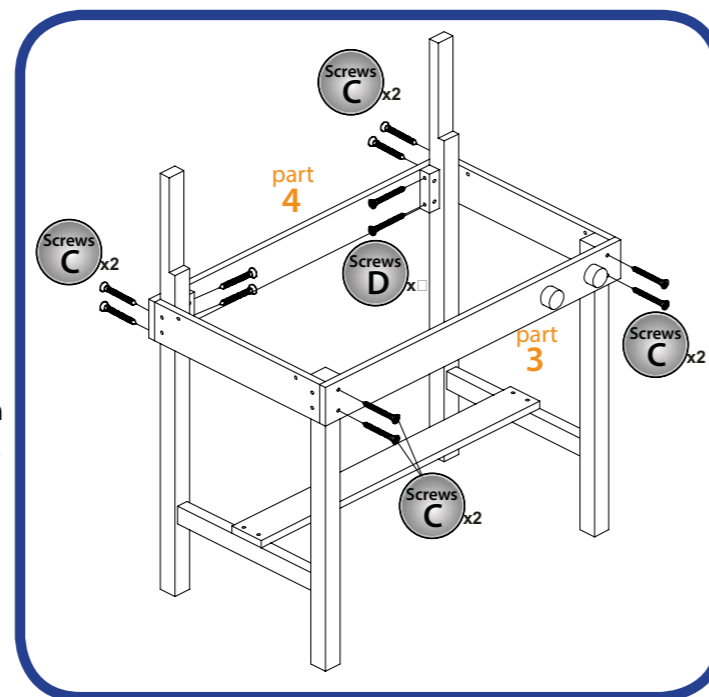
Add the Front and Back

You will need:

- Preassembled sides from step 1
- Part 3 (front panel with twisting knobs)
- Part 4 (back)
- 8 x Screws C
- 4 x Screws D

Place part 3 horizontally across the front so the top of part 3 is level with the top of the sides. Fix into place using two screws C at each end.

Place part 4 horizontally across the back, level with the sides. Use 4 screws C to fix into place from the back as shown. From the inside of part 4, use 2 screws D at each end to fix the back to the uprights.



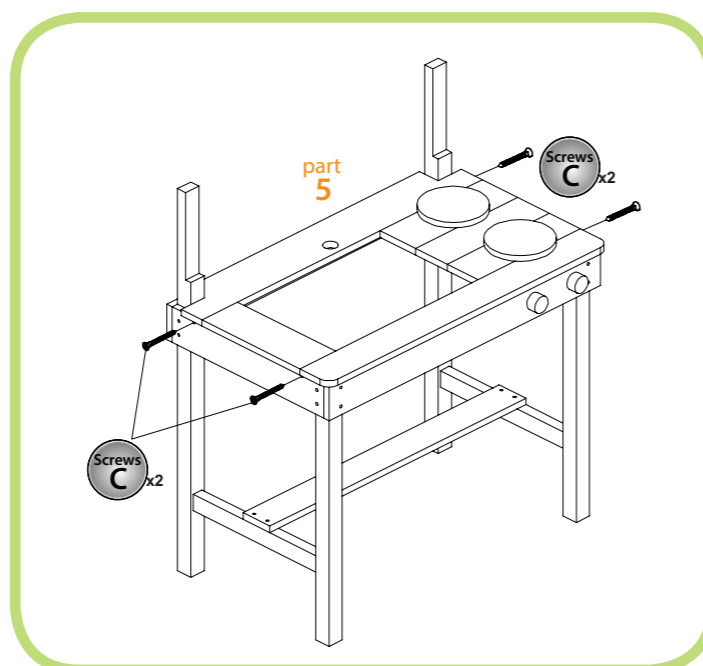
3

Add the Hobs and Basin Frame

You will need:

- Preassembled frame from steps 1-2
- Part 5 (hobs panel)
- 4 x Screws C

Slot part 5 onto the top of the frame, so the cut-out corners at the back are flush with the uprights. Fix into place using 2 screws C for each side.



4

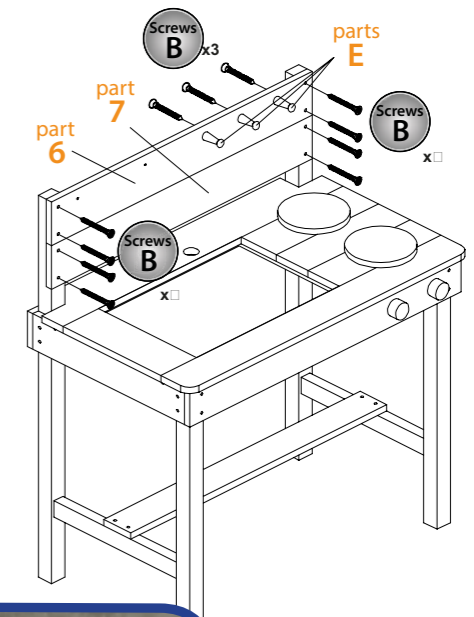
Add the Chalk Boards

You will need:

- Preassembled frame from steps 1-3
- Part 6 (top chalk board)
- Part 7 (bottom chalk board)
- 3 x Part E (hooks)
- 11 x Screws B

Place part 6 (top chalk board) across the front of the two uprights. Use 2 screws B on each end to fix into place. Now place part 7 (bottom chalk board) underneath the top blackboard so they are touching. Use 2 screws B on each end to fix into place.

Now place each of the 3 hooks on the top chalk board and screw into place from the back using 3 screws B and the predrilled holes.



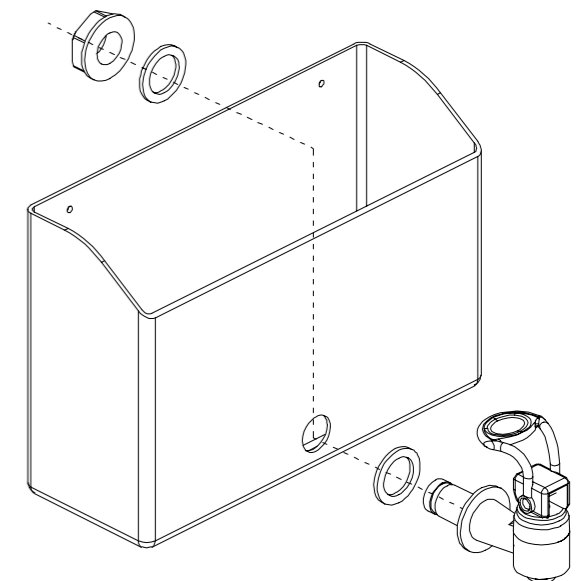
5

Assemble the Water Dispenser

You will need:

- Part F (water dispenser)
- Part G (tap for water dispenser)

With one washer around the back of the tap, push the tap through the hole in the dispenser. Then place the remaining washer around the back of the tap and tighten using the nut.



6

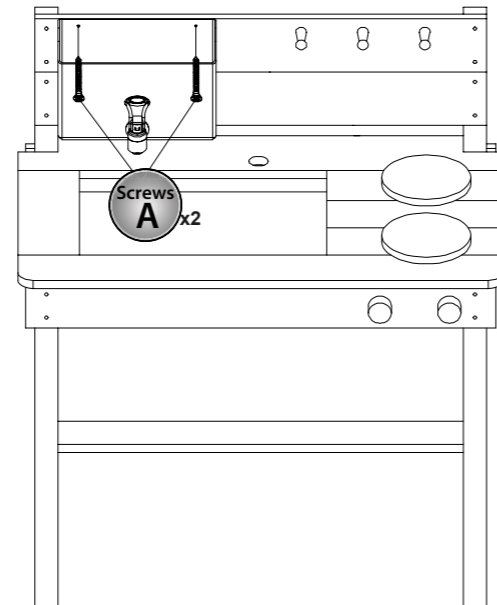
Install the Water Dispenser

You will need:

Assembled frame from steps 1-4
Assembled dispenser from step 5

2 x Screws A

Using the guide holes, fix the dispenser to the top blackboard using 2 screws A. Don't fully tighten to allow you to easily lift the dispenser on and off (for filling with water).



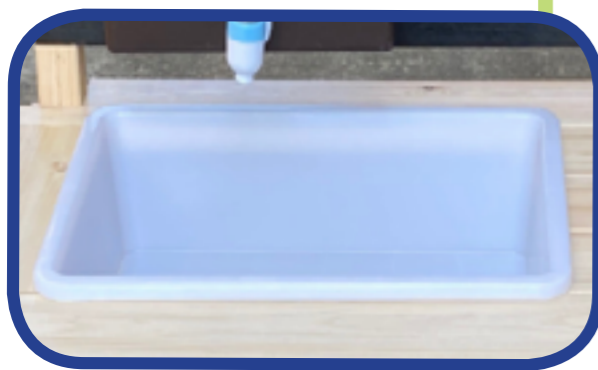
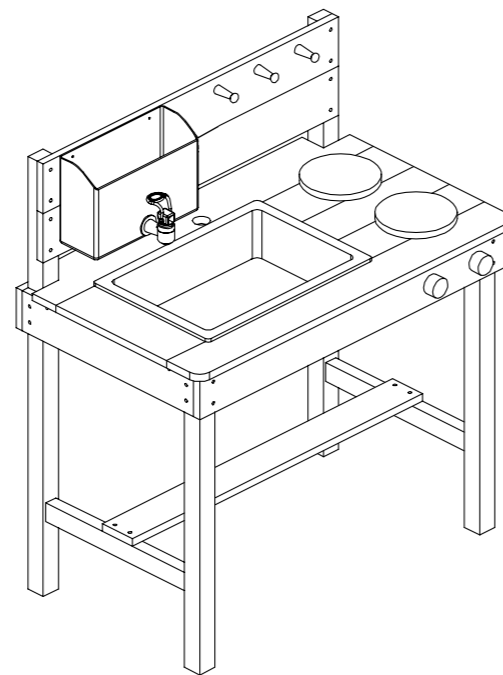
7

Add the Basin

You will need:

Assembled mud kitchen from steps 1-6
Part H (basin)

Slot the basin into the mud kitchen frame.



Now make sure all the screws are tightened and your mud kitchen is situated somewhere flat, well drained and safe - following the instructions on page 2. Fill the dispenser with water. Then the kitchen will be ready for your little one's many muddy culinary adventures!



Pictured:
391 Double Mud Kitchen

Inspection & Maintenance

We recommend the following maintenance.

Looking After Your Mud Kitchen

Your Mud Kitchen must be treated once a year with a suitable wood preserver or child-friendly oil to keep the wood healthy and prevent water damage. Wipe the wood with a cloth to remove excess water after each use. On rare occasions, when you first erect the product in wet conditions and where it is wet or rainy for a prolonged time, then followed by a burst of sunshine, it is possible to get some mould on some panels. Please be reassured that this can be washed off with a mould cleaner or wiped down with a baking soda solution. Baking soda is a natural disinfectant and very mild, so this solution cleans mould without leaving a scent. Dissolve baking soda into a water and vinegar solution, spray onto the surface, let it sit for a little while and then wipe with a damp cloth.


Weekly to monthly / routine inspection


Regularly check the Mud Kitchen for splinters and any signs of wear and tear. It is important to regularly check all parts, including the supports and panels. It is important to check all screws and tighten or replace where necessary.


This inspection and maintenance should be carried out after assembly and then at least twice a month while in use and at the start of each season.


Replace defective parts in accordance with the manufacturer's instructions.


Warnings!


 **The mud kitchen is designed for children aged 18 months +. For indoor or outdoor use. Do not climb on the Mud Kitchen. Only for domestic use!**

 **Warnung! Die Schlammküche ist für Kinder ab 18 Monaten +. Für den Innen- oder Außenbereich. Klettern Sie nicht auf den Schlammküche. Nur für den Hausgebrauch!**

 **Attention! Cuisine de Boue est conçu pour les enfants entre 18 mois +. Pour un usage extérieur ou intérieur. Ne grimpez pas sur le Cuisine de Boue. Pour usage domestique seulement!**

 **¡Advertencia! La cocina de barro es para niños mayores de 18 meses +. Para uso interno o externo. No subas a la cocina de barro. ¡Exclusivamente para uso doméstico!**

 **Attenzione! La cucina di fango per bambini 18 mesi + Non arrampicarsi sulla cucina di fango. Per uso interno o esterno. Solo per uso domestico!**

 **Waarschuwing! Het modderkeuken is ontworpen voor kinderen 18 maanden +. Voor gebruik binnen of buiten. Klim niet op de modderkeuken. Alleen voor huishoudelijk gebruik!**

ARE YOU a PLAY EXPERT?

Take a photo and share it with us using **#littleplayexpert** or **#bigplayexpert** and be part of our growing network of play experts! Thousands of people every day are showing us that they are truly expert at play and playing in so many different ways - are you?



42 likes

@theplayexperts Literally jumping for joy! I think we are seriously #bigplayexpert s! #nevertooold #foreveryyoung



107 likes

@theplayexperts our niece and daughter enjoying a game at a family wedding. Never too young for chess!



94 likes

loving the hi tower challenge @theplayexperts - its harder than it looks! #bigplayexpert #littleplayexpert



51 likes

The concentration on their faces! #littleplayexpert @theplayexperts

Not Just MUD KITCHENS

You may or may not be aware that we design and make many different kinds of garden games and play equipment as well as our wooden mud kitchen range.

Big Game Hunters has been designing and creating games for children and families since 1997 - so by now we really do know what we are doing.

Here are just a few that are great for the whole family as well as just the kids...

The Parachute Game



Café Shop Playhouse



Hardwood Boules



Wooden Skittles



Giant Four in a Row Games; Jumbo 4, Hardwood Big 4 & Up 4 It

The logo to look out for...

There are many more products we have created - just look out for our Big Game Hunters logo or flower emblem to be sure you have an official product. The brand is not just a logo, it is the whole family of ideas, service and quality that are behind every product. We are not a huge corporate and do not claim to be - we are proud of who we are and what we create so look out for our brand knowing that each product carrying our logo has a special standard we aim to maintain for years and years to come...



Random
Factoid
Bubbles

International
Mud Day
was established in 2009
by school children in
Australia and Nepal.

Schools in
many countries
organise mud
play events



Please retain for future reference

+441865 392439
sales@biggamehunters.co.uk
biggamehunters.co.uk
@theplayexperts

