

Big Game
hunters



PLAYHOUSES



RedWood Tower
INSTRUCTIONS

Before Installation

Check all parts are present!

Our factory takes every effort to make sure everything is packed in its proper place. But just in case a small part has gone astray please make sure you check every piece is present before you begin installing - right down to the screws.

Assemble with Care

Installation should be completed by two adults. Please make sure you follow all the instructions carefully.

If you have any questions during installation please do not hesitate to contact us on +441865 392439 or email sales@biggamehunters.co.uk and we will be happy to advise.

Please make sure you read all the safety warnings and advice in this instruction manual.

Install the playhouse on a level surface and ensure it is at least 2m away from other structures and obstacles such as houses, garages, fences, branches or clothes lines. Never place the playhouse on a wet or loose surface.

It is recommended to secure any playhouse with a platform to the ground using ground anchors (which are available for purchase separately). This provides extra stability and safety.

Never place the playhouse on a hard surface like concrete or asphalt. A fall from a playhouse onto a hard surface like this could result in serious injury. Playhouses with a platform height of 60cm (24ins) or more must be installed onto a shock absorbing surface such as grass, play bark or sand.

If your playhouse has a slide it is advisable not to place your slide facing south as the heat from the sun could make the slide hot to the touch.

Any modifications made by the consumer must be carried out according to the manufacturer's instructions.

Please adhere to the warnings to ensure proper use of this playhouse and ultimately to ensure full enjoyment!



Remember...

We strongly recommend looking after these instructions, after all without them it will be a bit tricky to put this product together. Even though we know our customers are more intelligent than most,

we still think you may find these instructions useful. *But if something unexpected were to happen, such as,*

Burger
Your dog ate them or...

your children constructed a kite out of them...

or your neighbour ran over them with their car?

You would have nothing to fear because we have uploaded all of our instructions to our website:
www.biggamehunters.co.uk

Tools Required

Benötigtes Material / Accessoires / Herramientas
Strumenti da lavoro / Benodigdgheden



Two pairs of hands

Crosshead Screwdriver

**we recommend using an electric screwdriver for ease, but a manual will work - you will just need a little more elbow grease!*

Parts Included

Unterteile / Liste des pièces / Lista de partes
Elenco degli elementi / Onderdelen



Screw A (x 17)
5/80mm



Screw B (x30)
4/40mm



Screw C (x31)
5/50mm



Screw D (x 4)
4/30mm



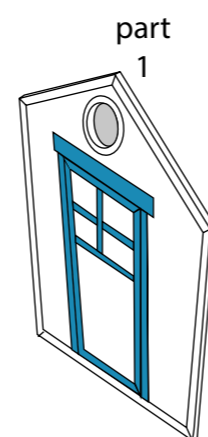
Screw E (x19)
4/25mm



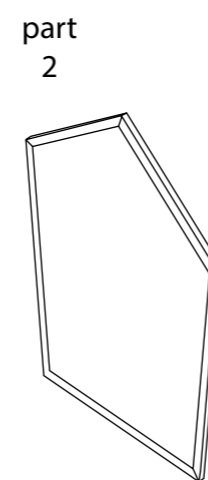
Screw F (x 14)
4/50mm



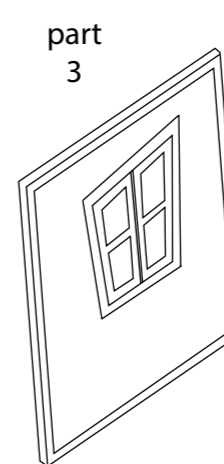
Door & window handles (x6)
Handle screws (x3)



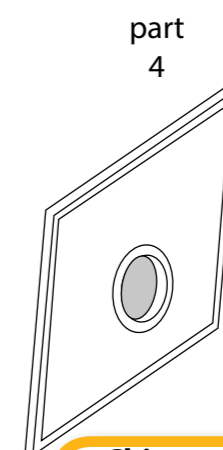
part 1



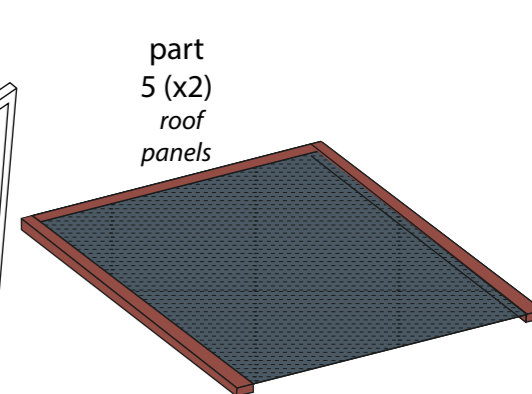
part 2



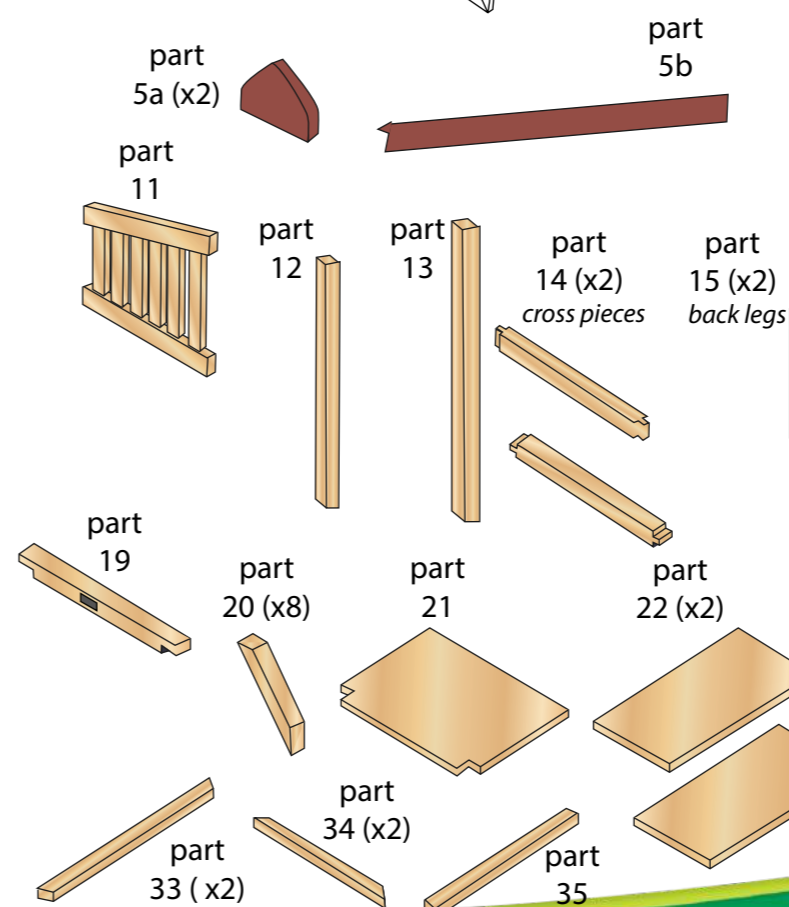
part 3



part 4



part 5 (x2)
roof panels



part 5a (x2)

part 5b

part 11

part 12

part 13

part 14 (x2)
cross pieces

part 15 (x2)
back legs

part 16
platform left side

part 17
platform right side

part 18

part 19

part 20 (x8)

part 21

part 22 (x2)

part 23

part 24

part 25 (x3)

part 33 (x2)

part 34 (x2)

part 35

Chimney

part 6

part 7

part 8

part 9

part 10

part 26

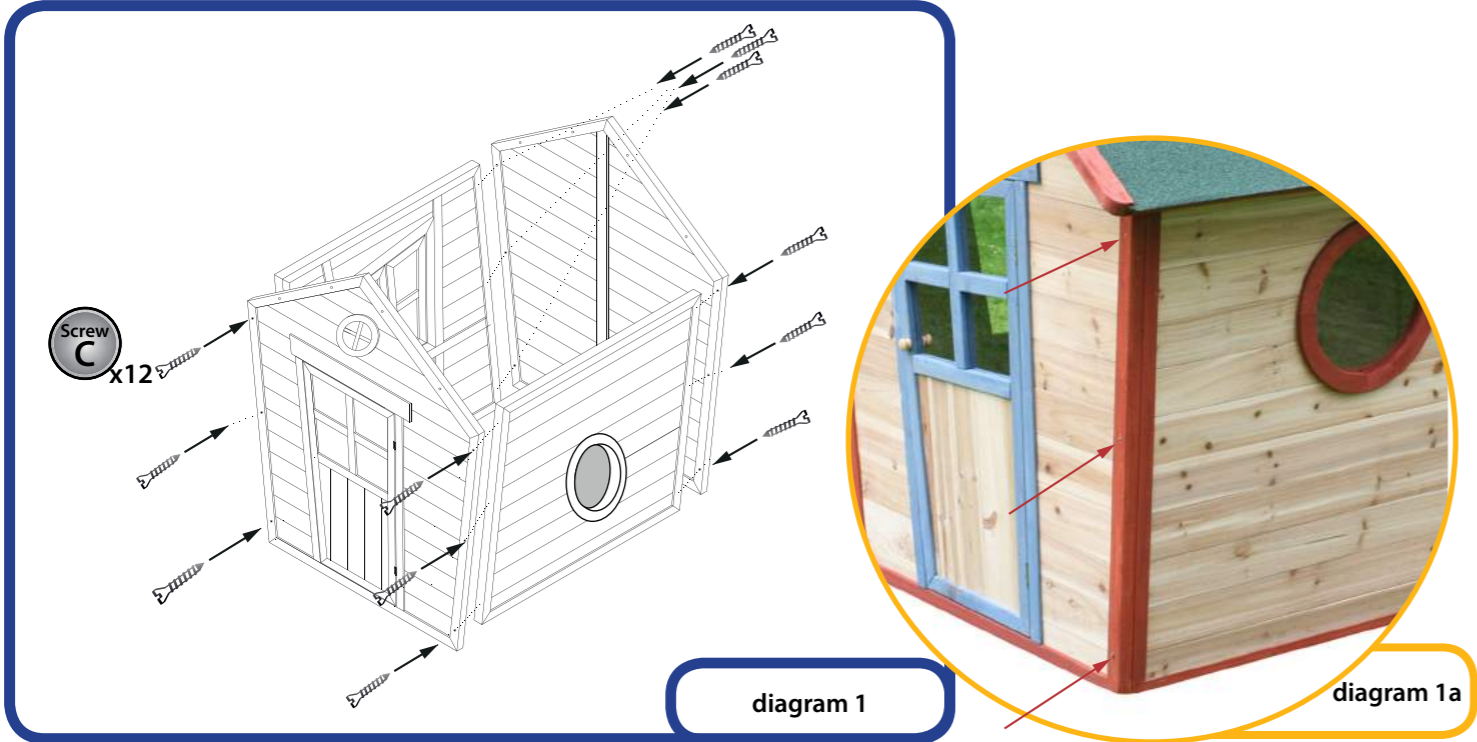
Slide (colour may vary)

1

Building the Main House: Assemble the Walls

You will need:
Parts 1, 2, 3 & 4
12 x Screws C (5 x 50mm)

Create the main frame of the house by screwing the walls (parts 3 & 4) to the front (part 1) and back (part 2) of the house using twelve Screws 'C' - as shown in diagram 1 below. The porthole window should be on the right side.

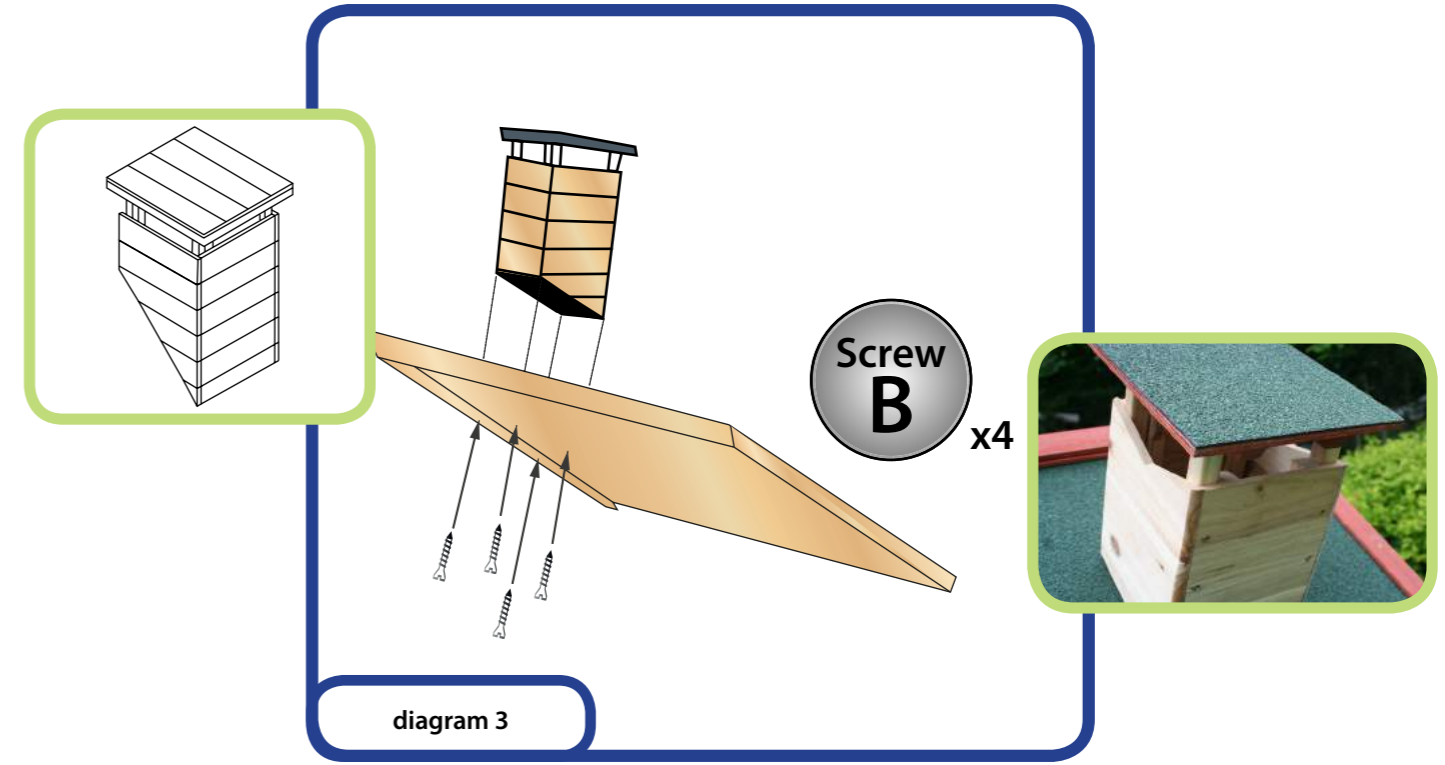


3

Building the Main House: Attach the Chimney to the Roof

You will need:
Assembled chimney from step 2 (parts 8 -12)
One Roof Panel (part 5)
4 x Screws B (4 x 40mm)

Screw the chimney to the roof panel by using four screws 'B'. The screws should go through the pre-drilled holes on the underside of the roof panel and into four corners on the underside of the chimney.

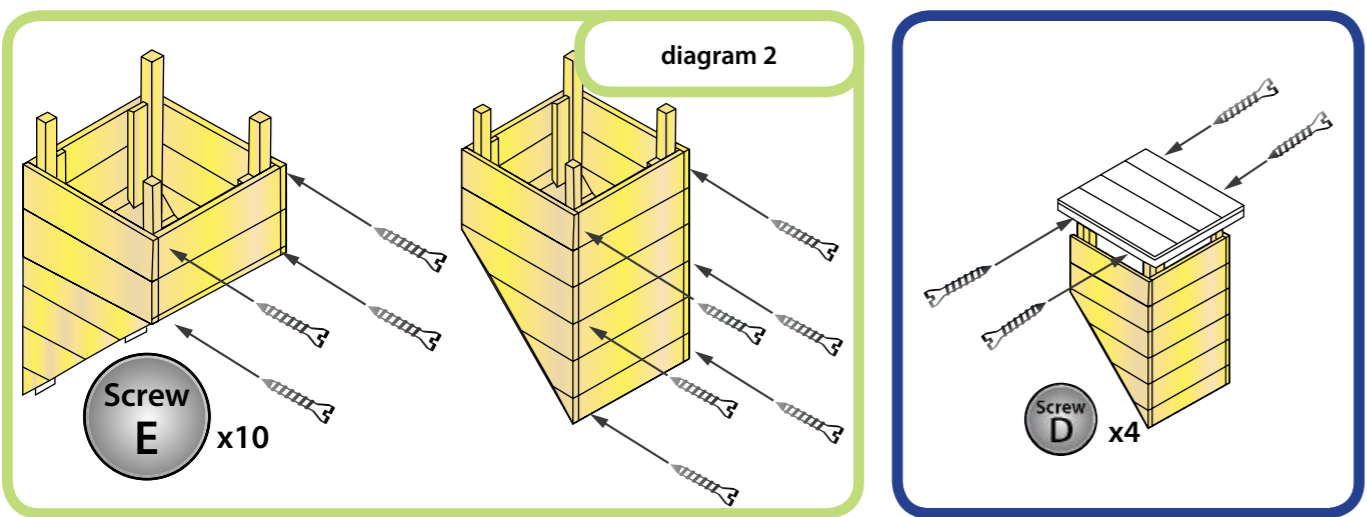


2

Building the Main House: Assemble the Chimney

You will need:
Chimney Parts - parts 6, 7, 8, 9 & 10
10 x Screws E (4 x 25mm) & 4 x Screws D (4 x 30mm)

Assemble the chimney by fixing the back part of the chimney (part 9) to the sides (parts 6 & 7) using four screws 'E' (two either side) then the front (part 8) using six screws 'E' (three either side) as in diagram 2. Finally add the top of the chimney (part 10) using four Screws 'D'.



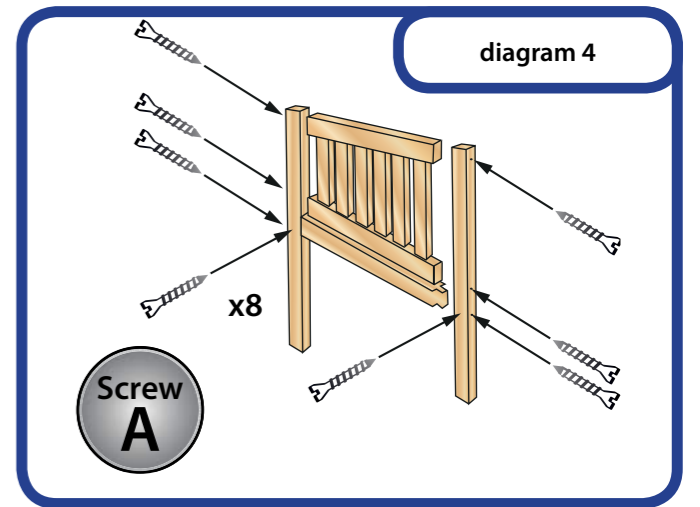
4

Building the Tower Platform: Assemble the Front Legs and Balustrades

You will need:
Front Balustrades (part 11)
8 x Screws A (5 x 80mm)
Two Front Uprights/Legs (part 12 & 13)
1 x Cross Piece (part 14)

Create the front of the playhouse tower by fitting ONE part 14 horizontally into the slots on parts 12 and 13 (to form the cross piece). Place part 11 above part 14 (between the two uprights) and secure in place using six Screws 'A' as shown in diagram 4.

Two additional Screws 'A' go into the front two legs - these will be tightened fully in Step 5 (diagram c).



5

Building the Tower Platform: Attach the Main Base Frame

You will need:

- Front of the platform as assembled in Step 4
- Back Legs x 2 (parts 15)
- Sides of Main Frame (parts 16 & 17)
- 1 x Cross Piece - at front of main frame (part 14)

- Central Horizontal Piece (part 18)
- Cross Piece - at back of main frame (part 19)
- 8 x Screws A (5 x 80mm) and 2 x Screws C (5 x 50mm)

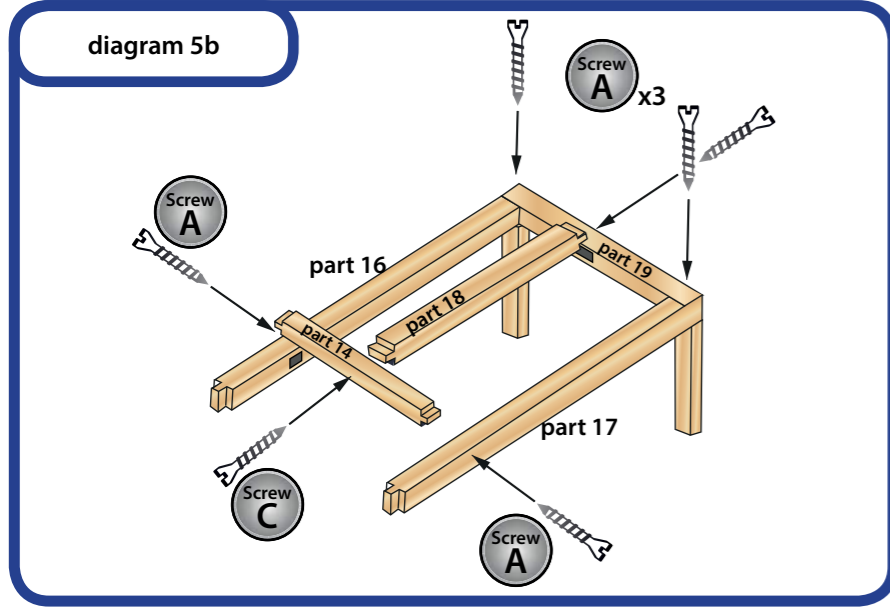
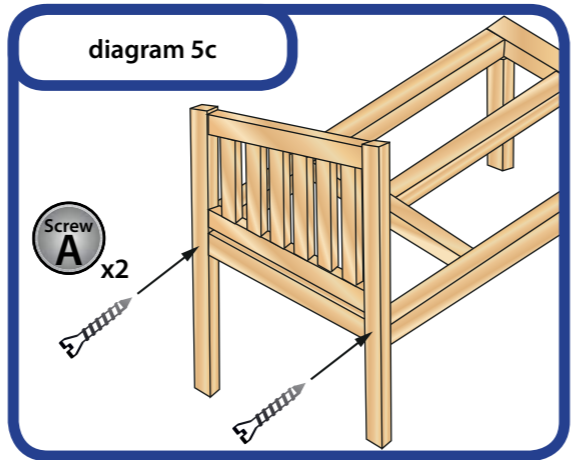
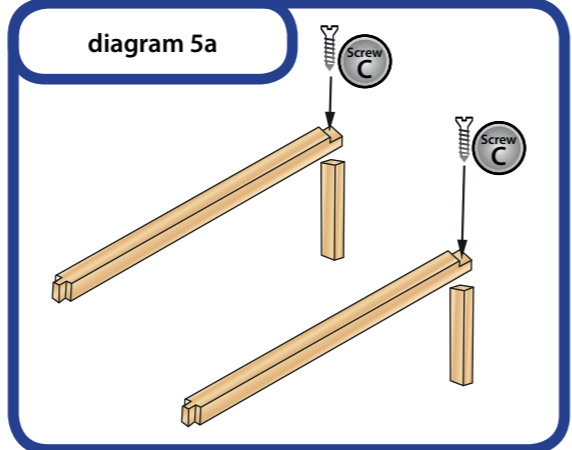
For this step - do not tighten all the screws until all parts are put together.

Using the two Screws 'C' - attach the back legs of the frame to the side pieces (parts 16 & 17) - see diagram 5a.

Place part 19 on top of the legs - ensuring the hole is facing inwards - and secure using two Screws 'C'. Slot in part 18 into the central hole in part 19 and secure with one Screw 'A'. Using part 14, complete the main part of the frame using two more Screws 'A' in the sides of parts 16 and 17 to secure part 14 in place (diagram 5b).

Add another Screw 'C' into the middle of part 14 to fix part 18 in place.

Finally attach the front legs and balustrades from Step 4 by slotting the sides in and tightening the two Screws 'A' see diagram 5c.



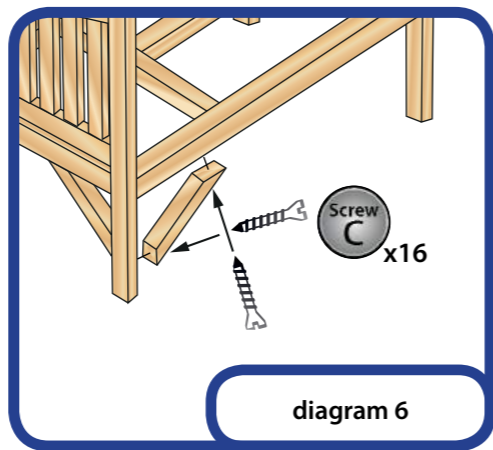
6

Building the Tower Platform: Attach the Leg Support Braces

You will need:

- Leg Support Braces x 8 (parts 20)
- 16 x Screws C (5 x 50mm)

Secure the base of the frame using eight support struts (parts 20) to attach diagonally between leg and frame. These are screwed in place using two Screws 'C' for each brace.



7a

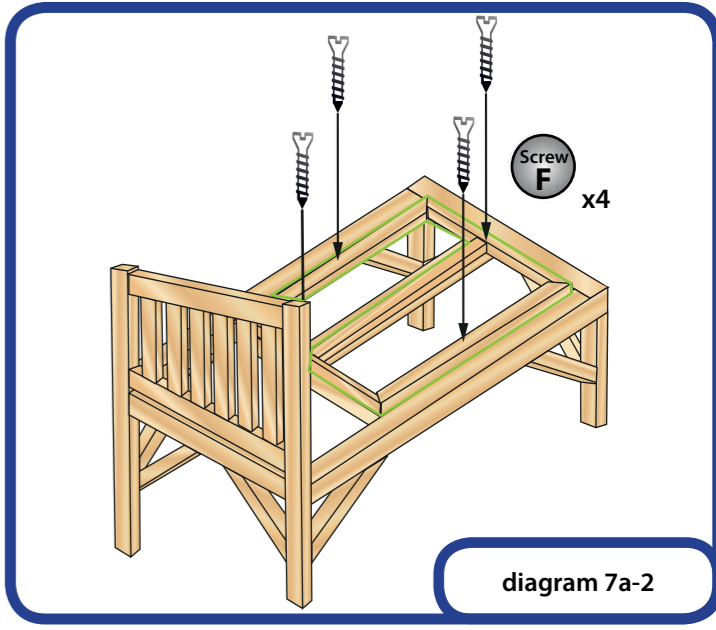
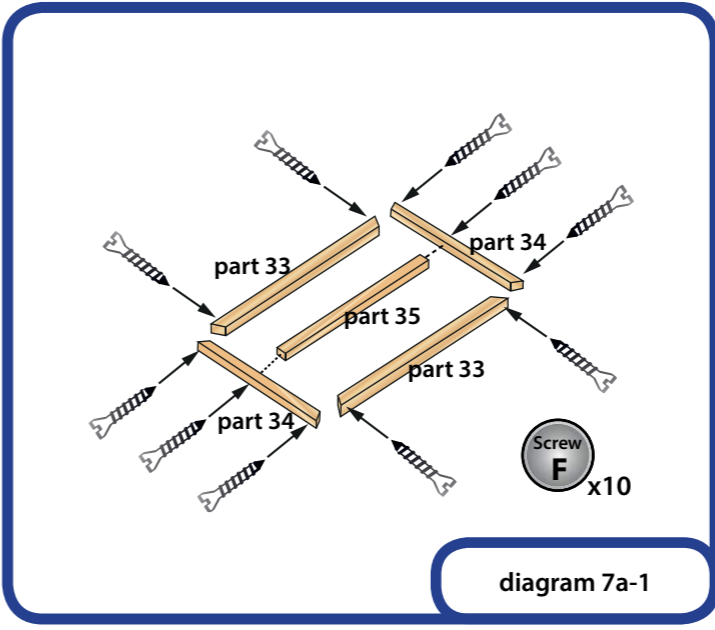
Building the Tower Platform: Creating the Frame for the House Floor

You will need:

- Pre-assembled Playhouse Tower Base from Steps 4 - 6
- House Floor Frame Pieces - Parts 33 (x 2), 34 (x 2) and 35 (x 1)
- 14 x Screws F (4 x 50mm)

Create the frame for the house floor by screwing together parts 33, 34 and 35 in the formation as shown in diagram 7a-1 below. Use ten Screws 'F' to fix together the frame.

Then use a further four Screws 'F' to attach the frame on top of the main base frame (see diagram 7a-2 - frame is highlighted in green).



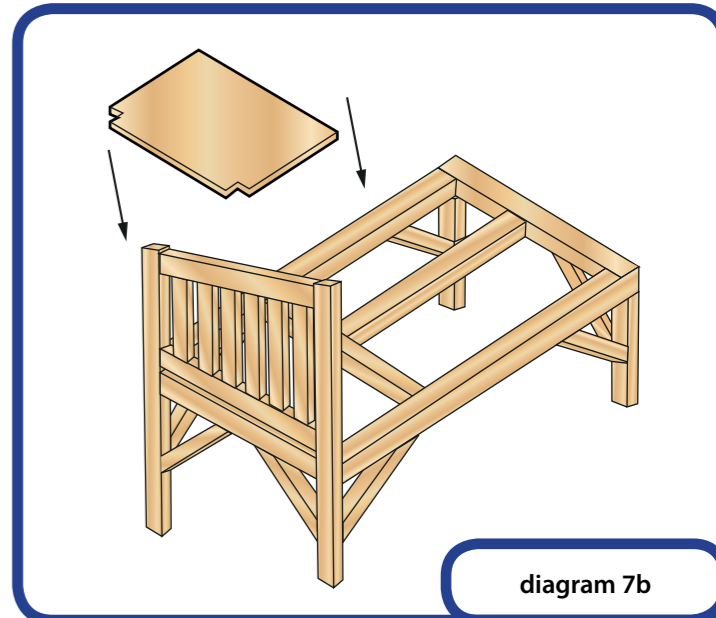
7b

Building the Tower Platform: Adding the Veranda

You will need:

- Pre-assembled Playhouse Tower Base from Steps 5 - 6
- Veranda Floor (part 21)

Place the veranda floor onto the playhouse tower base. This should just slot into place.



8

Assemble the Steps

You will need:
 Steps x 3 (parts 25)
 Step Side Pieces (parts 23 & 24)
 12 Screws B (4 x 40mm)

4 x Screws A (5 x 80mm)

Build the steps for the house by attaching them to the side rails using four Screws 'B' per step (two on either side) as shown in diagram 8a. Screw the steps onto the playhouse platform using four Screws 'A' shown in diagram 8b.

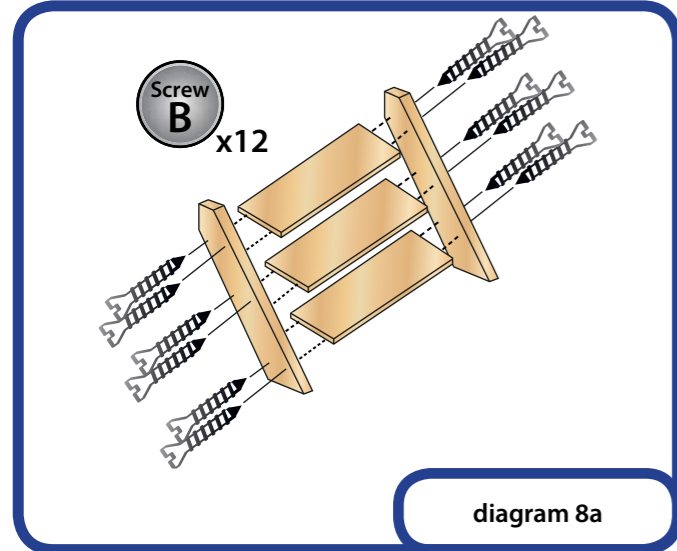


diagram 8a

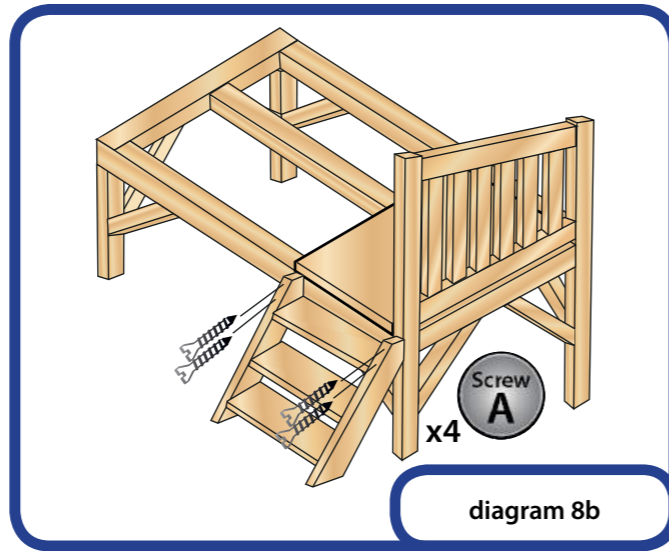


diagram 8b

Completing the Playhouse: Putting the Playhouse on the Platform

9

You will need:
 Assembled Playhouse Walls from Step 1
 Assembled Tower Platform from Steps 4 - 8
 2 x floor Panels (parts 22)

Playhouse Slide (part 26)
 6 x Screws B (4 x 40mm)

Carefully lift the assembled playhouse from Steps 1 onto the tower platform. We would recommend using two adults for this part. Place the internal floor panels (parts 22) inside the house and secure using four Screws 'B'. Attach the playhouse slide to the platform using two Screws 'B'. Now you should go round the house and platform ensuring all the screws are securely tightened.

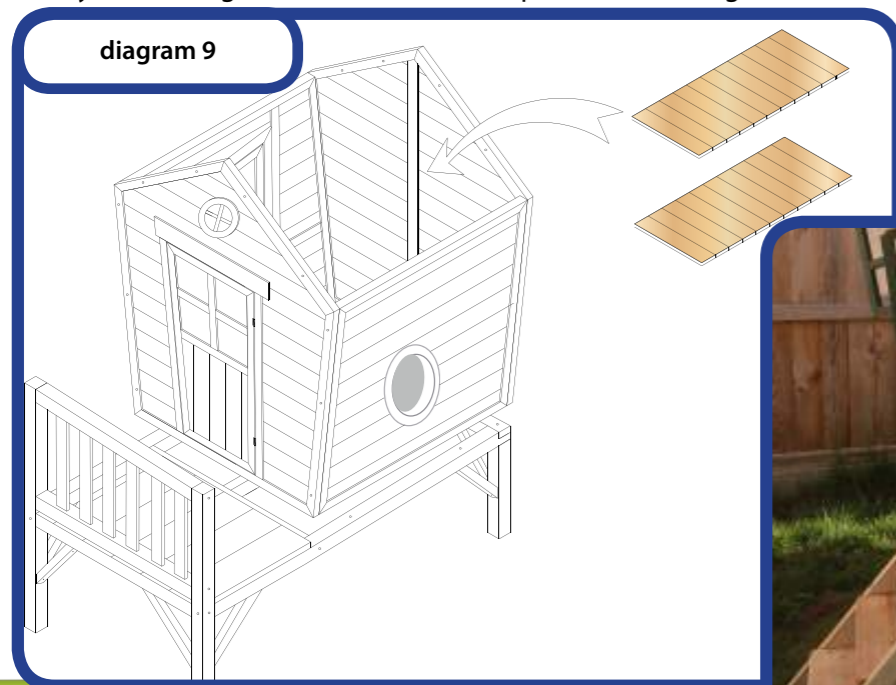


diagram 9

10

Building the Main House: Attach the Playhouse Roof

You will need:
 Main house frame as assembled in Step 1 (parts 1 - 4)

Roof Panels - parts 5
 8 x Screws B (4 x 40mm)

Lay the two roof panels (parts 5) onto the assembled frame from Step 1. Attach the front and back panels of the house to the wooden batons on the underside of the roof panels using eight Screws 'B'. You will need four for the front of the roof panels and four for the back (eight in total). The screws go through the front or back panel first, then into the batons on the underside of the roof panel.

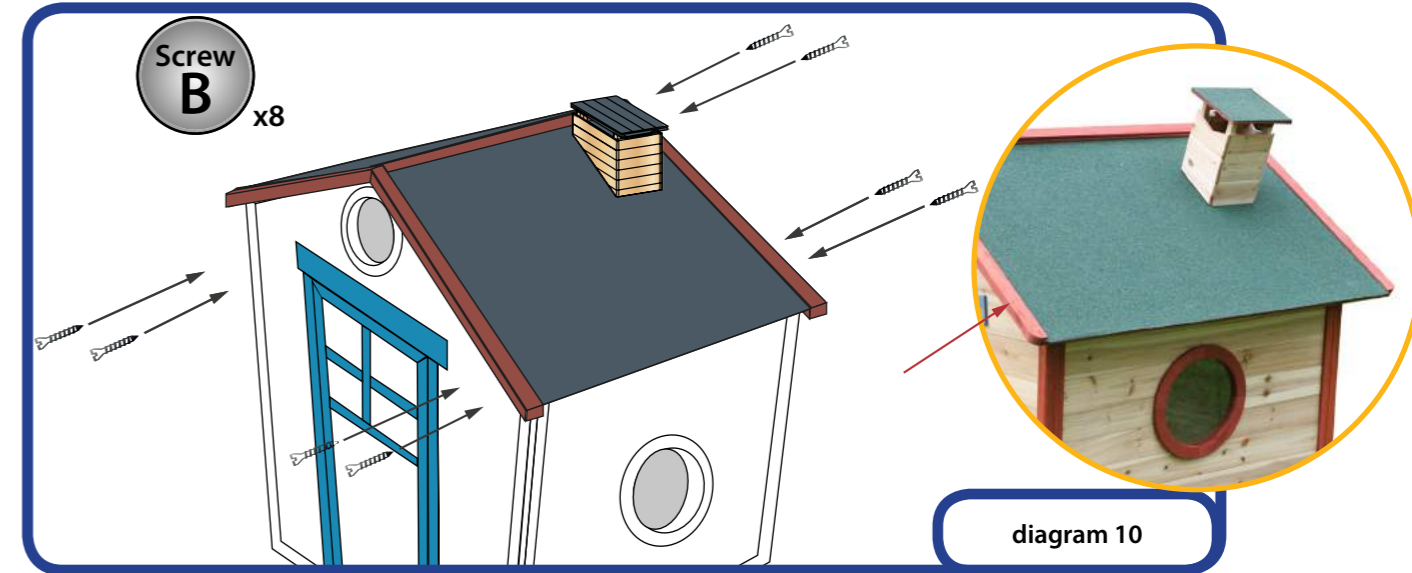


diagram 10

Completing the Playhouse: Playhouse Roof

11

You will need:
 Roof ridge and finials (2 x parts 5a & 5b)
 9 x Screws E (4 x 25mm)

Complete the roof of the playhouse by screwing on the roof ridge (part 5a) using five screws 'E'. Then add the finials (parts 5b) using four more screws 'E'.

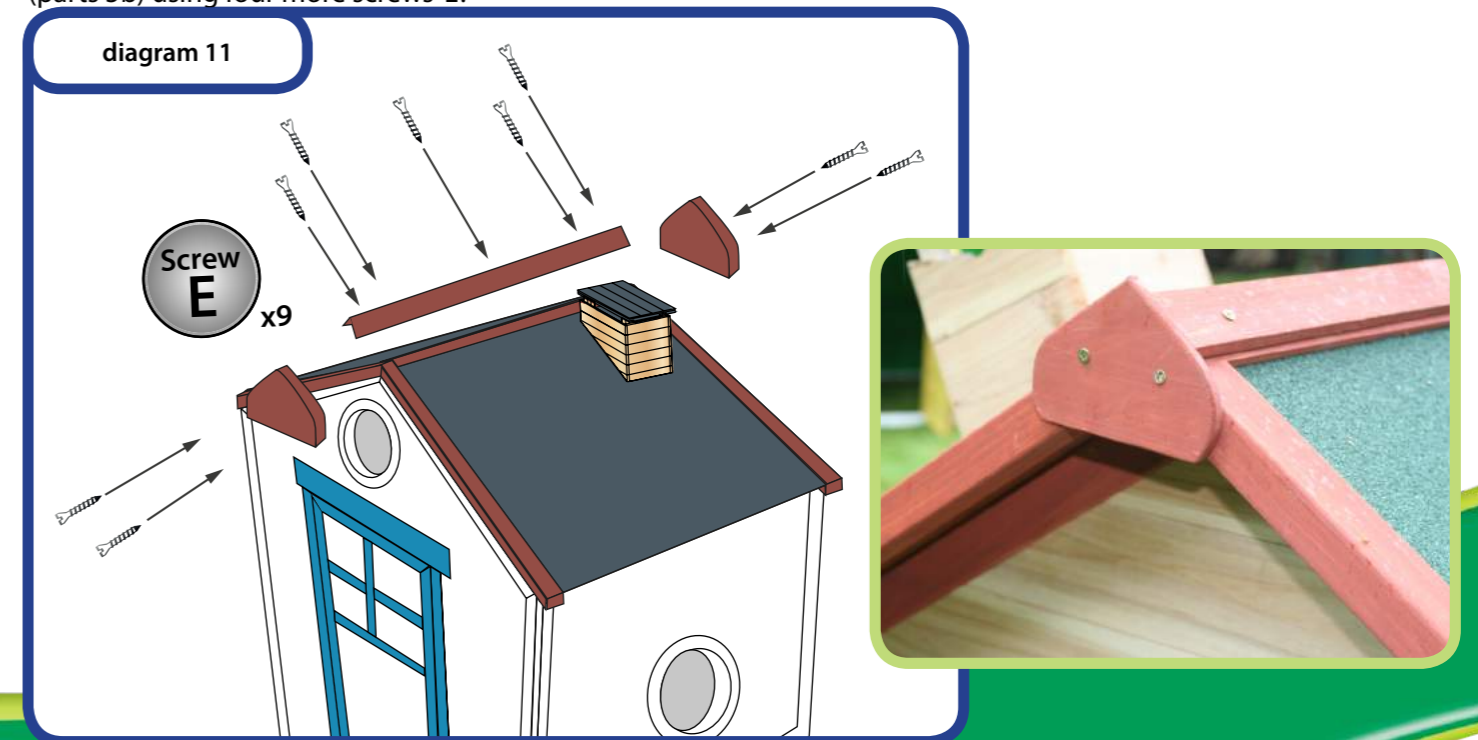


diagram 11

Attach the Window & Door Handles

You will need:

6 x Wooden Door & Window Handles

3 x Handle Screws

Attach the door and window handles by inserting the handle screws into the pre-existing holes and screwing the wooden knobs on, ensuring these are fully tightened.



Your playhouse is now ready for your little one's many adventures...



Inspection & Maintenance

We recommend the following maintenance.

Looking After Your Playhouse

Your playhouse is made from heat-treated and pre-painted natural wood. It is also protected from insect infestation and fungal growth, and sourced from sustainable forests. The pre-painted colour stain includes a mould inhibitor and UV protection to keep the colours vibrant, but it is strongly recommended that you re-treat the house once a year with a clear timber preserver to extend the life of your playhouse.

On rare occasions, when you first erect the playhouse in wet conditions and where it is wet or rainy for a prolonged time, then followed by a burst of sunshine, it is still possible to get some mould on some panels. Please be reassured that this can be washed off with a mould cleaner or wiped down with a baking soda solution.







Baking soda is a natural disinfectant and very mild, so this solution cleans mould without leaving a scent. Dissolve baking soda into a water and vinegar solution, spray onto the surface, let it sit for a little while and then wipe with a damp cloth.

Weekly to monthly / routine visual inspection

Regularly check the playhouse for splinters and any signs of wear and tear. It is important to check all screws and tighten or replace where necessary. This should be done after assembly and then at least twice a month while in use. If any parts are found to be defective or damaged they must be replaced immediately according to the manufacturer's requirements. If the regular checks on the playhouse are not carried out the unit could become a hazard and even tip over.



Warnings!

-  **The playhouse is designed for children between 18 months - 12 years old only. The playhouses are designed for use by two children with a combined weight of 100 kg. Do not climb or play on the roof of the playhouse. For domestic use only! Designed for outdoor use only!**
-  **Warnung! Das Spielhaus ist nur für Kinder zwischen 18 Monaten - 12 Jahren geeignet. Die Spielhäuser sind für zwei Kinder mit einem Gesamtgewicht von 100 kg ausgelegt. Klettern oder spielen Sie nicht auf dem Dach des Spielhauses. Nur für den Hausgebrauch! Nur für den Außenbereich geeignet!**
-  **Attention! Le théâtre est conçu pour les enfants entre 18 mois - 12 ans seulement. Les playhouses sont conçus pour être utilisés par deux enfants avec un poids combiné de 100kg. Ne grimpez pas et ne jouez pas sur le toit de la salle de spectacle. Pour usage domestique seulement! Conçu pour une utilisation en extérieur seulement!**
-  **¡Advertencia! La casa de juegos está diseñada para niños de entre 18 meses - 12 años solamente. Los teatros están diseñados para ser utilizados por dos niños con un peso combinado de 100 kg. No trepe ni juegue en el techo de la casa de juegos. ¡Exclusivamente para uso doméstico! Diseñado solo para uso al aire libre!**
-  **Attenzione! La casetta è progettata per bambini tra i 18 mesi - 12 anni. Le casette sono progettate per essere utilizzate da due bambini con un peso combinato di 100 kg. Non salire o giocare sul tetto della casetta. Solo per uso domestico! Progettato solo per uso esterno!**
-  **Waarschuwing! Het speelhuis is ontworpen voor kinderen tussen 18 maanden - 12 jaar oud. De speelhuizen zijn ontworpen voor gebruik door twee kinderen met een gecombineerd gewicht van 100 kg. Klim of speel niet op het dak van het speelhuisje. Alleen voor huishoudelijk gebruik! Alleen ontworpen voor gebruik buitenshuis!**

ARE YOU a PLAY EXPERT?

Take a photo and share it with us using #littleplayexpert or #bigplayexpert and be part of our growing network of play experts! Thousands of people every day are showing us that they are truly expert at play and playing in so many different ways - are you?



42 likes

@theplayexperts Literally jumping for joy! I think we are seriously #bigplayexpert s! #nevertooold #foreveryoung



107 likes

@theplayexperts our niece and daughter enjoying a game at a family wedding. Never too young for chess!



94 likes

loving the hi tower challenge @theplayexperts - its harder than it looks! #bigplayexpert #littleplayexpert



51 likes

The concentration on their faces! #littleplayexpert @theplayexperts

Not Just PLAYHOUSES...

You may or may not be aware that we design and make many different kinds of garden games and play equipment.

Big Game Hunters has been designing and creating games for children and families since 1997 - so by now we really do know what we are doing.

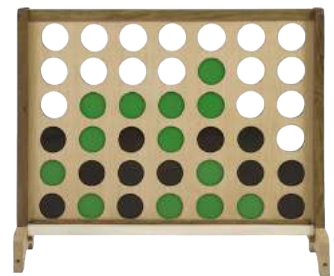
Here are just a few that are great for the whole family as well as just the kids...

The Parachute Game



Giant Hi-Tower

Giant Dominoes (in a box)



Giant Four in a Row Games; Hardwood Big 4 & Jumbo 4

The logo to look out for...

There are many more products we have created - just look out for our Big Game Hunters logo or flower emblem to be sure you have an official product. The brand is not just a logo, it is the whole family of ideas, service and quality that are behind every product. We are not a huge corporate and do not claim to be - we are proud of who we are and what we create so look out for our brand knowing that each product carrying our logo has a special standard we aim to maintain for years and years to come...



Random Factoid Bubbles

Wooden Playhouses are sometimes called 'Wendy Houses'. This is because in the play 'Peter Pan' by J. M. Barrie, Peter (the boy who never grew up) built a

small house around Wendy when she was shot in Neverland.

CE Please retain for future reference

Garden Games Limited
Chadwick Farm • Garford
Oxfordshire • OX13 5PD • England

+441865 392439
sales@biggamehunters.co.uk
biggamehunters.co.uk
@theplayexperts

