

Big Game
hunters



PLAYHOUSES



RedWood Penthouse

INSTRUCTIONS

Tools Required

Benötigtes Material / Accessoires / Herramientas
Strumenti da lavoro / Benodigdheden



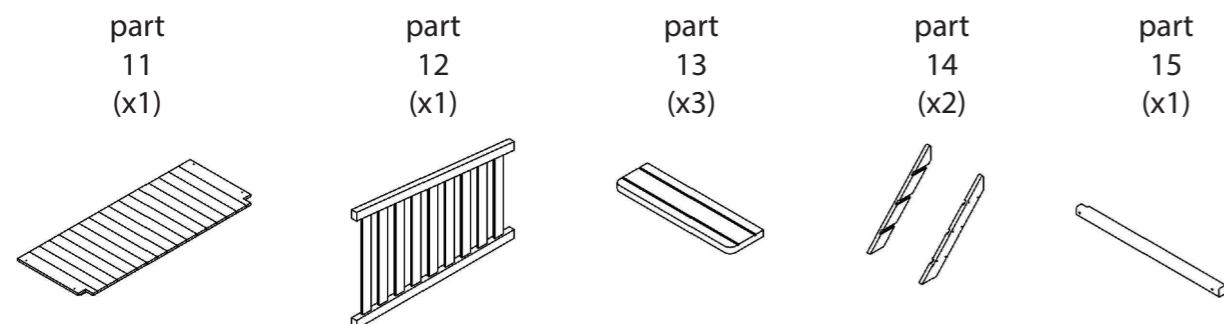
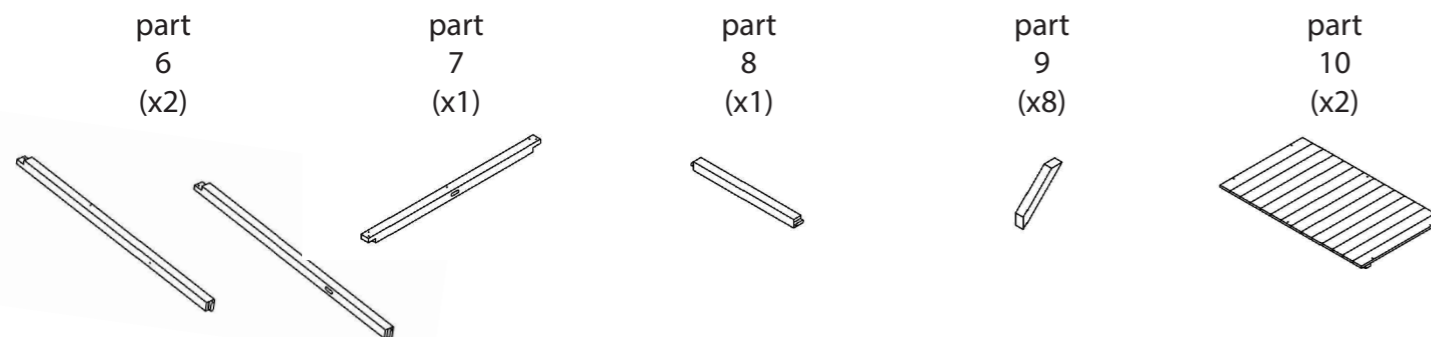
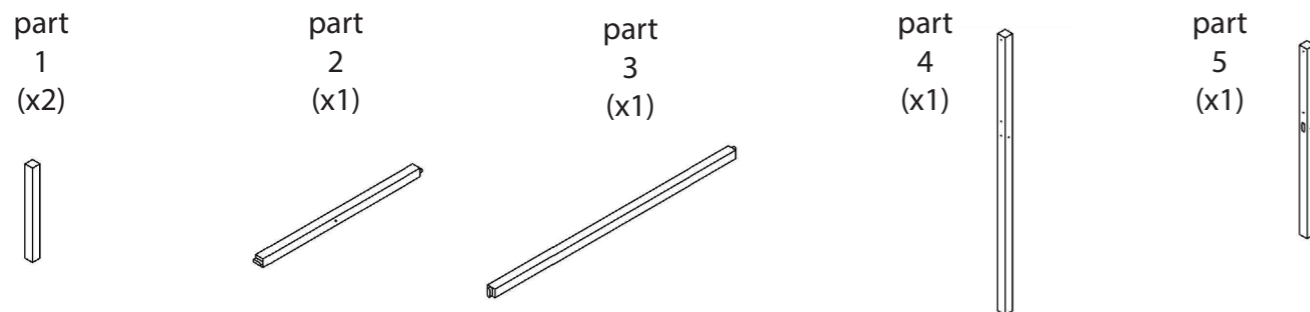
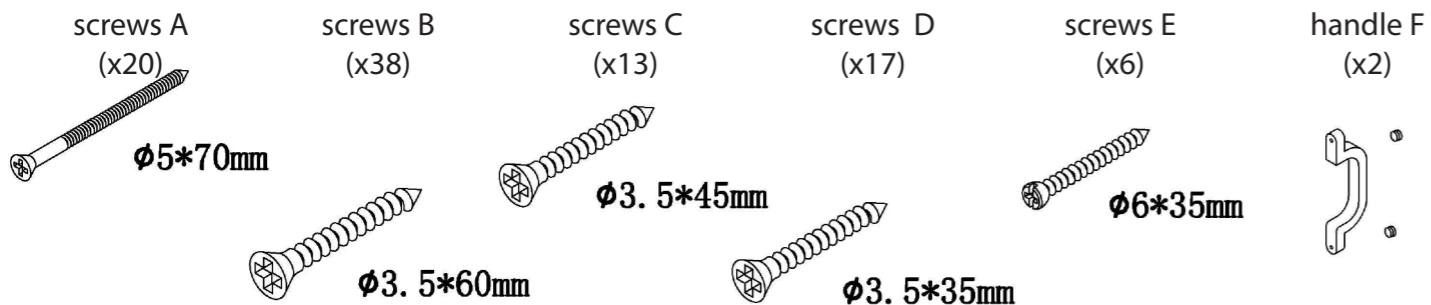
Two pairs of hands

Crosshead Screwdriver

**we recommend using an electric screwdriver for ease, but a manual will work - you will just need a little more elbow grease!*

Parts Included

Unterteile / Liste des pièces / Lista de partes
Elenco degli elementi / Onderdelen



Before Installation

Check all parts are present!

Our factory takes every effort to make sure everything is packed in its proper place. But just in case a small part has gone astray please make sure you check every piece is present before you begin installing - right down to the screws.

Assemble with Care

Installation should be completed by two adults. Please make sure you follow all the instructions carefully. If you have any questions during installation please do not hesitate to contact us on +441865 392439 or email sales@biggamehunters.co.uk and we will be happy to advise.

Please make sure you read all the safety warnings and advice in this instruction manual.

Install the playhouse on a level surface and ensure it is at least 2m away from other structures and obstacles such as houses, garages, fences, branches or clothes lines. Never place the playhouse on a wet or loose surface.

It is recommended to secure any playhouse with a platform to the ground using ground anchors (which are available for purchase separately). This provides extra stability and safety.

Never place the playhouse on a hard surface like concrete or asphalt. A fall from a playhouse onto a hard surface like this could result in serious injury. Playhouses with a platform height of 60cm (24ins) or more must be installed onto a shock absorbing surface such as grass, play bark or sand.

If your playhouse has a slide it is advisable not to place your slide facing south as the heat from the sun could make the slide hot to the touch.

Any modifications made by the consumer must be carried out according to the manufacturer's instructions.

Please adhere to the warnings to ensure proper use of this playhouse and ultimately to ensure full enjoyment!



Remember...

We strongly recommend looking after these instructions, after all without them it will be a bit tricky to put this product together. Even though we know our customers are more intelligent than most, we still think you may find these instructions useful.
But if something unexpected were to happen, such as,

Your dog ate them or...

your children constructed a kite out of them?

Maybe your neighbour ran over it with their car?

You would have nothing to fear because we have uploaded all of our instructions to our website:
www.biggamehunters.co.uk

1

Assemble the Balustrade

You will need:
Parts 3, 4, 5, 12
6 x Screws A (5x70mm)

Start by slotting part 12 into part 4, then slot part 3 into the bottom hole on part 4. Now, repeat this on the other side with part 5. Secure in place using 3 x screws A on each side.

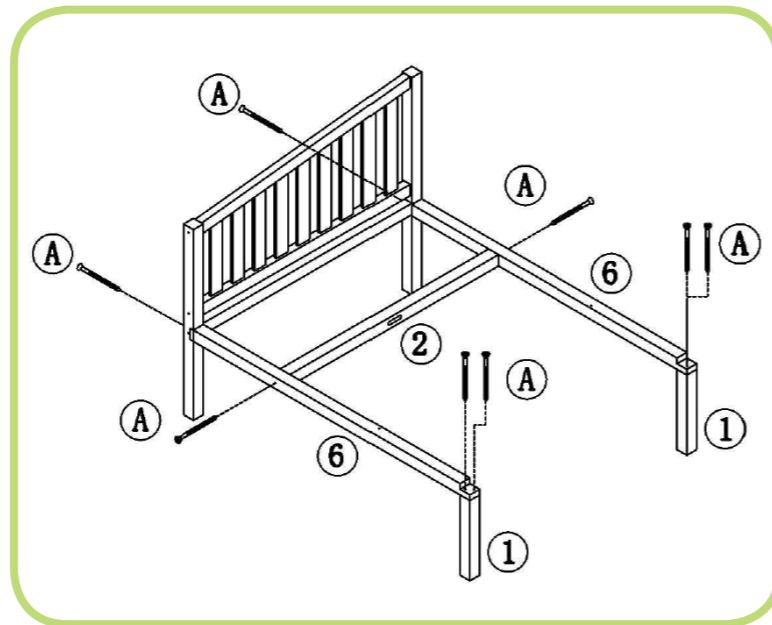


2

Assemble the Platform Frame

You will need:
Assembled balustrade from step 1
Parts 6, 2, 1

Slot both parts 6 into the balustrade, making sure the cut out pieces on parts 6 are facing inwards. Now slot part 2 into the holes in parts 6, making sure the cut out piece on part 2 is facing away from the balustrade as shown in the diagram. Lay the flat ends of parts 6 onto parts 1 to create the back legs. Secure the back legs in place using 2 screws A on each. Now secure part 2 using one screw A on each side. Finally, secure the balustrade from the front using one screw A on each side.

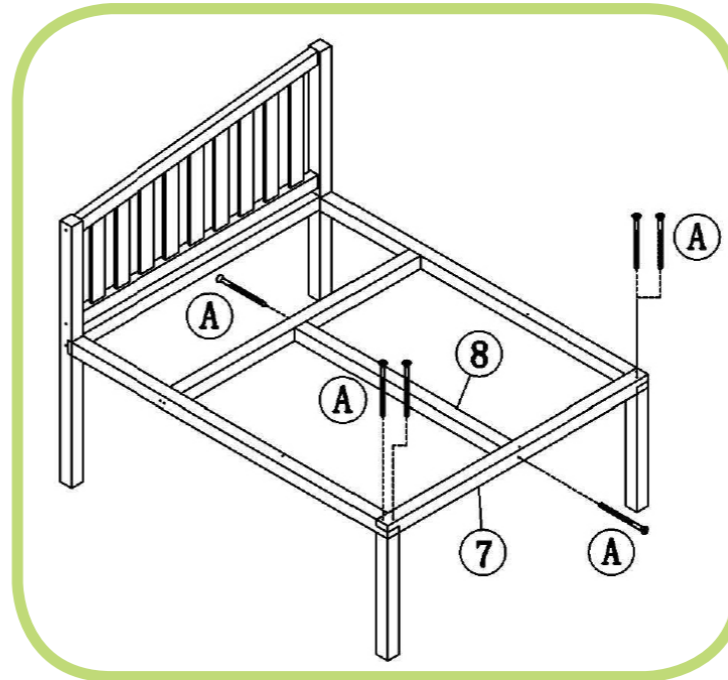


3

Assemble the Platform End

You will need:
Assembled frame from Step 1 and 2
Part 7 & 8
6 x Screws A (5x70mm)

Slot part 8 into part 2, then slot part 7 onto part 8. Secure part 8 in place using a screw A on either end as shown in the diagram below, and secure part 7 in place using two screws A on each end.

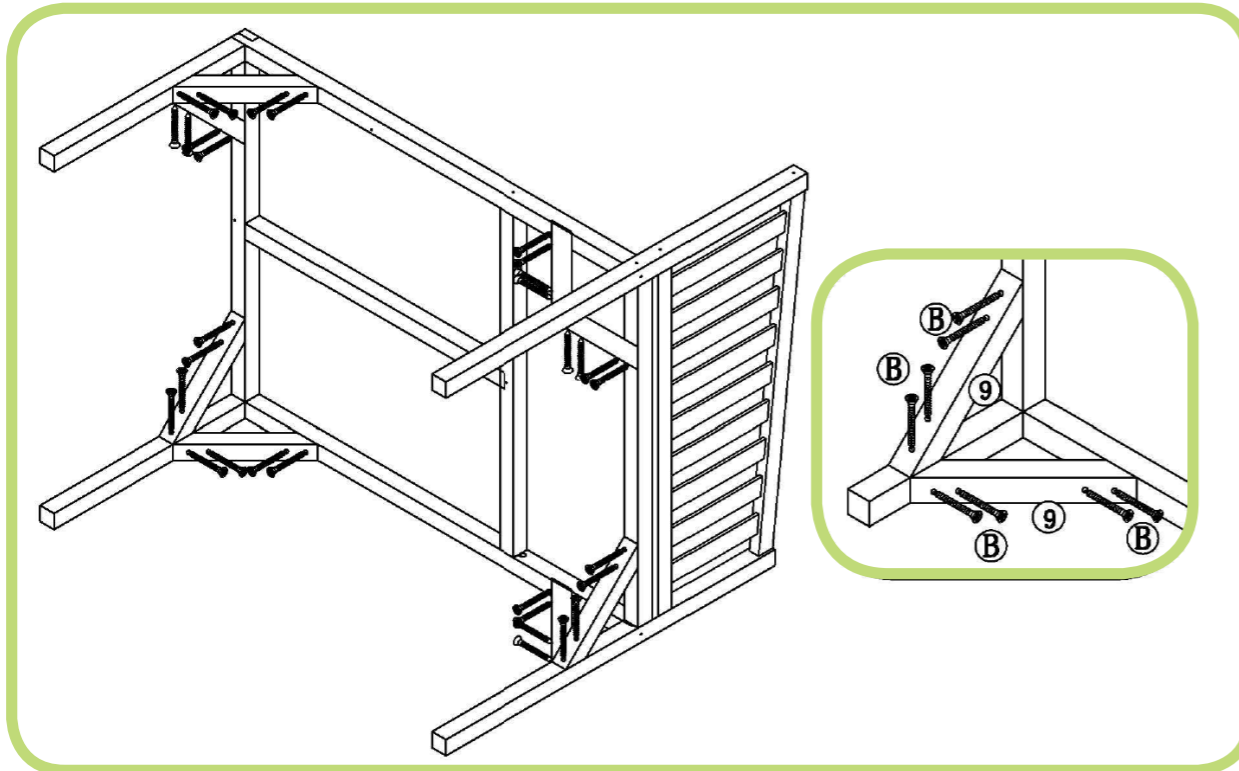


4

Add the Frame Supports

You will need:
Assembled platform from steps 1-3
Parts 9
32 screws B (3.5x60mm)

You may find it easier to turn the whole build on its side at this point. Take eight parts 8 and fix two to each corner using four screws B on each as illustrated in the drawings below.

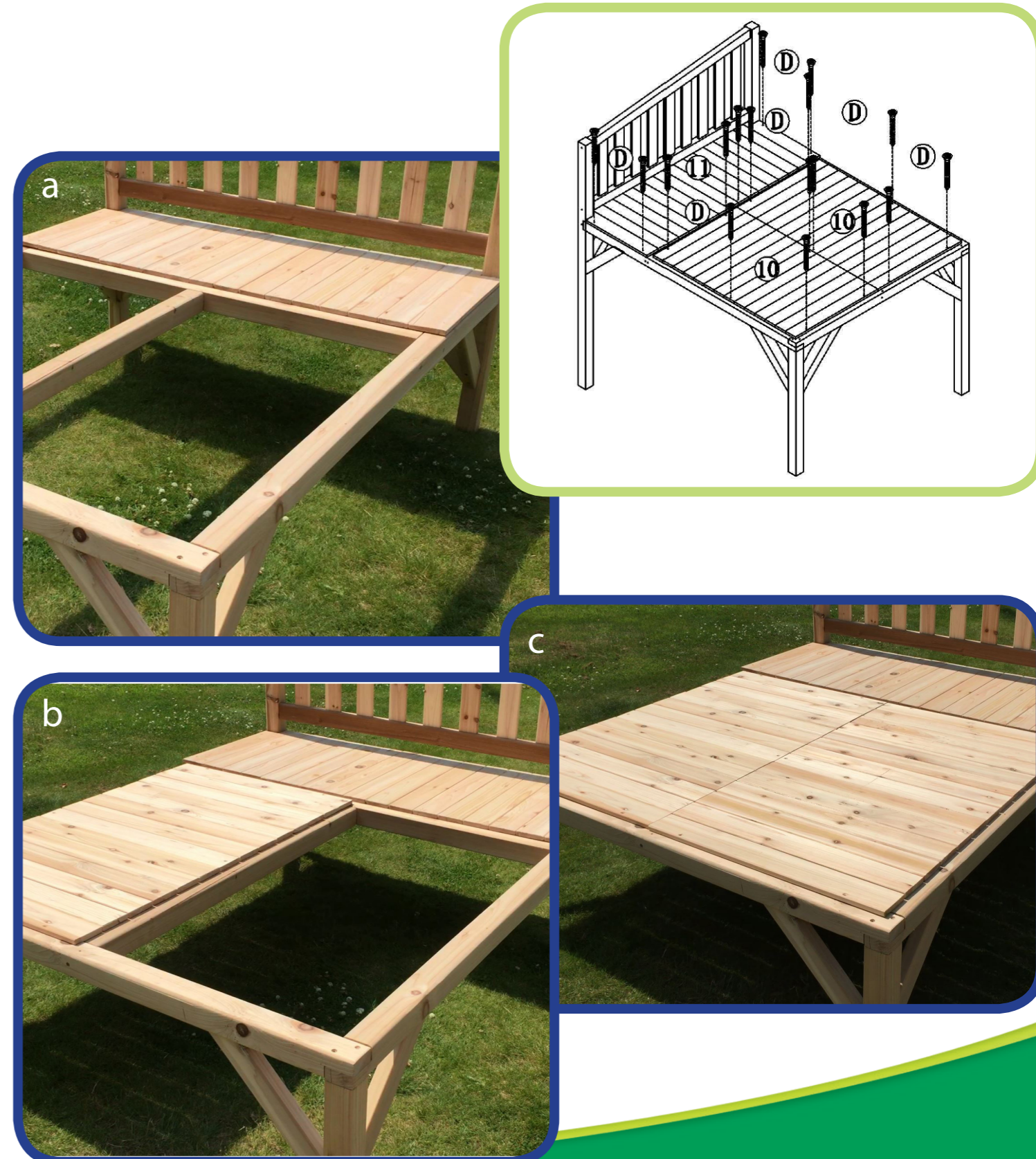


5

Secure the Floors & Veranda

You will need:
Assembled frame from steps 1-4
Parts 10, 11
Screws D

Take part 11, the veranda floor, first and slot this in place between the balustrade parts 12 and 3. Now lay both parts 10, the internal floors, onto the frame. Use screws D to secure all 3 floors as shown below.



Add the Slide and Ladder

6

- You will need:
 Assembled frame from steps 1-5
 Part G (slide)
 Parts 13, 14
 2 x screws E (6x35mm)
 2 x screws B (3.5x60mm)
 12 x screws C (3.5x45mm)

Fix the slide into place using two screws E.
 Create the ladder by slotting parts 13 (3 steps) into parts 14. Secure in place using 6 screws C on each side. Fix the ladder to the other side of the platform using two screws B.

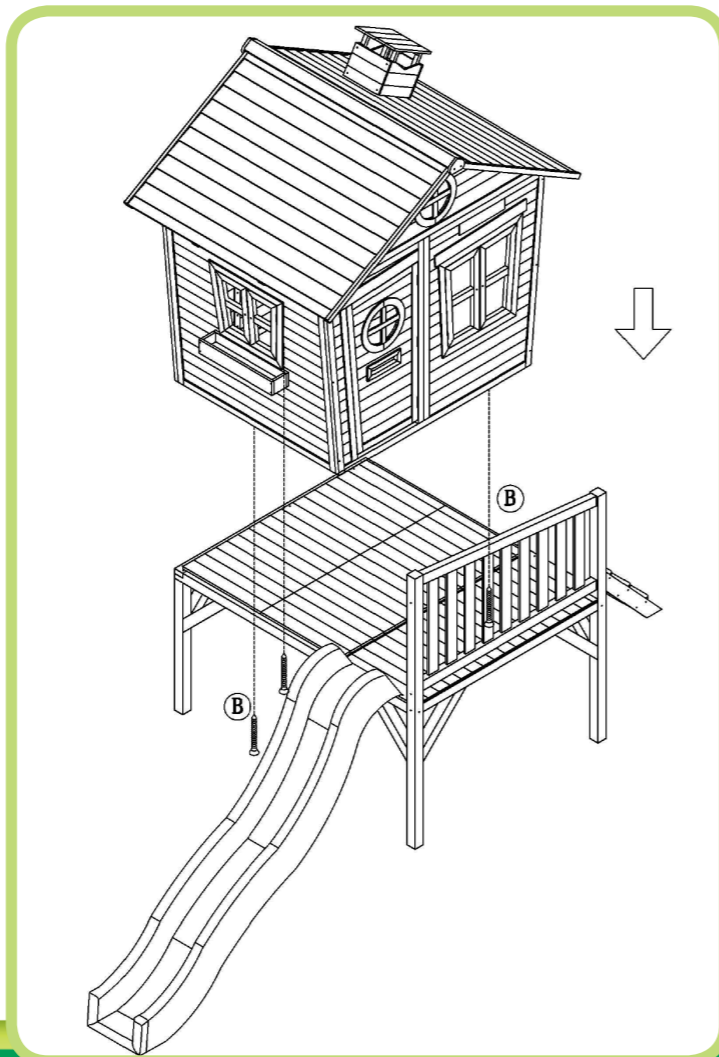


Fix House to Base

7

- You will need:
 Assembled playhouse (see separate instructions)
 Assembled platform from steps 1-6
 3 x screws B (3.5x60mm)

With two pairs of hands, lift the house onto the platform and secure in place from underneath the platform using 3 screws B. This is to be done from the underside of the platform, as illustrated in the diagram.



Add the Handles and Bar

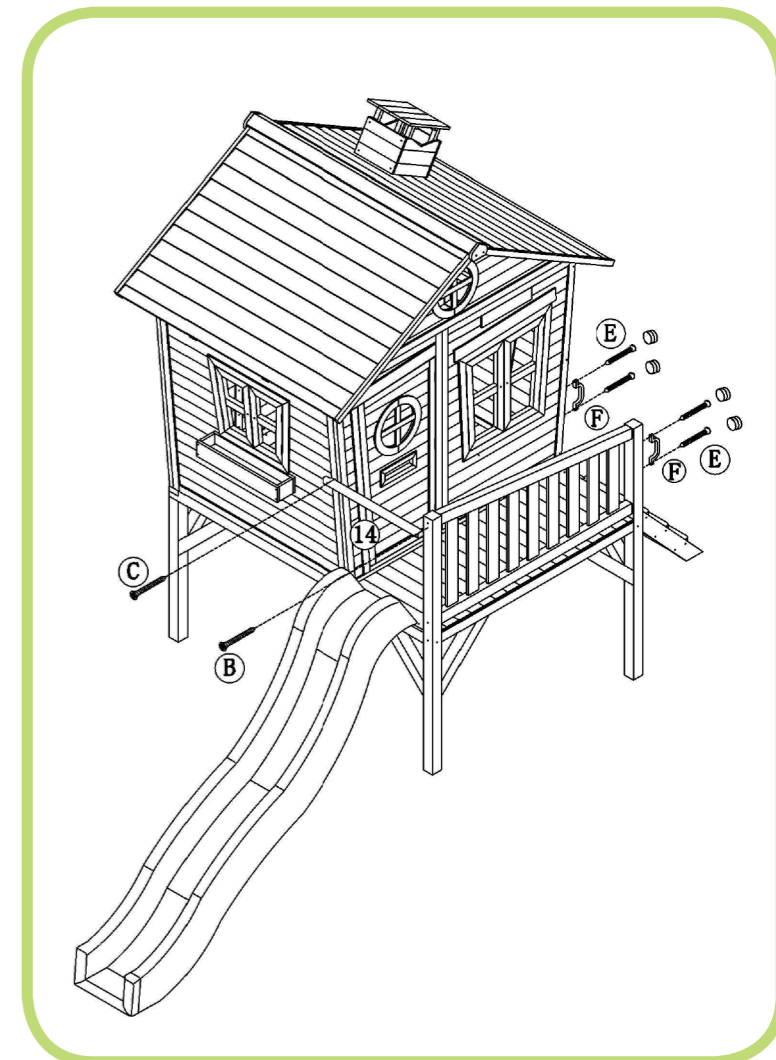
8

- You will need:
 Assembled playhouse and platform
 Part 15
 Parts F

- 1 x Screw B
 1 x Screw C
 4 x Screws E

Secure the bar (part 15) into place as shown using 1 screw B and 1 screw C.
 Secure one handle (part F) onto the veranda upright as shown using two screws E as shown. Cover the ends of the screws with the screw caps.

Repeat this to secure the other handle onto the house.



Your penthouse or den playhouse is now ready for your little one's many adventures...
The natural wood is the perfect base for decorating. Why not add a splash of paint in your children's favourite colours?



Inspection & Maintenance

We recommend the following maintenance.



Looking After Your Playhouse

Your playhouse is made from heat-treated natural wood. It is also protected from insect infestation and fungal growth, and sourced from sustainable forests. The wood has been coated with a water-based treatment which includes a mould inhibitor and UV protection, but it is strongly recommended that you treat the house with a clear timber preserver when first assembled, and re-treat once a year to extend the life of your playhouse.

On rare occasions, when you first erect the playhouse in wet conditions and where it is wet or rainy for a prolonged time, then followed by a burst of sunshine, it is still possible to get some mould on some panels. Please be reassured that this can be washed off with a mould cleaner or wiped down with a baking soda solution.


Baking soda is a natural disinfectant and very mild, so this solution cleans mould without leaving a scent. Dissolve baking soda into a water and vinegar solution, spray onto the surface, let it sit for a little while and then wipe with a damp cloth.


Weekly to monthly / routine visual inspection


Regularly check the playhouse for splinters and any signs of wear and tear. It is important to check all screws and tighten or replace where necessary. This should be done after assembly and then at least twice a month while in use. If any parts are found to be defective or damaged they must be replaced immediately according to the manufacturer's requirements. If the regular checks on the playhouse are not carried out the unit could become a hazard and even tip over.





Warnings!


 **The playhouse is designed for children between 18 months - 12 years old only. The playhouses are designed for use by two children with a combined weight of 100 kg. Do not climb or play on the roof of the playhouse. For domestic use only! Designed for outdoor use only!**

 **Warnung! Das Spielhaus ist nur für Kinder zwischen 18 Monaten - 12 Jahren geeignet. Die Spielhäuser sind für zwei Kinder mit einem Gesamtgewicht von 100 kg ausgelegt. Klettern oder spielen Sie nicht auf dem Dach des Spielhauses. Nur für den Hausgebrauch! Nur für den Außenbereich geeignet!**

 **Attention! Le théâtre est conçu pour les enfants entre 18 mois - 12 ans seulement. Les playhouses sont conçus pour être utilisés par deux enfants avec un poids combiné de 100kg. Ne grimpez pas et ne jouez pas sur le toit de la salle de spectacle. Pour usage domestique seulement! Conçu pour une utilisation en extérieur seulement!**

 **¡Advertencia! La casa de juegos está diseñada para niños de entre 18 meses - 12 años solamente. Los teatros están diseñados para ser utilizados por dos niños con un peso combinado de 100 kg. No trepe ni juegue en el techo de la casa de juegos. ¡Exclusivamente para uso doméstico! Diseñado solo para uso al aire libre!**

 **Attenzione! La casetta è progettata per bambini tra i 18 mesi - 12 anni. Le casette sono progettate per essere utilizzate da due bambini con un peso combinato di 100 kg. Non salire o giocare sul tetto della casetta. Solo per uso domestico! Progettato solo per uso esterno!**

 **Waarschuwing! Het speelhuis is ontworpen voor kinderen tussen 18 maanden - 12 jaar oud. De speelhuizen zijn ontworpen voor gebruik door twee kinderen met een gecombineerd gewicht van 100 kg. Klim of speel niet op het dak van het speelhuisje. Alleen voor huishoudelijk gebruik! Alleen ontworpen voor gebruik buitenshuis!**

ARE YOU a PLAY EXPERT?

Take a photo and share it with us using #littleplayexpert or #bigplayexpert and be part of our growing network of play experts! Thousands of people every day are showing us that they are truly expert at play and playing in so many different ways - are you?



42 likes

@theplayexperts Literally jumping for joy! I think we are seriously #bigplayexpert s ! #nevertooold #foreveryoung



107 likes

@theplayexperts our niece and daughter enjoying a game at a family wedding. Never too young for chess!



94 likes

loving the hi tower challenge @theplayexperts - its harder than it looks! #bigplayexpert #littleplayexpert



51 likes

The concentration on their faces! #littleplayexpert @theplayexperts

Not Just PLAYHOUSES...

You may or may not be aware that we design and make many different kinds of garden games and play equipment.

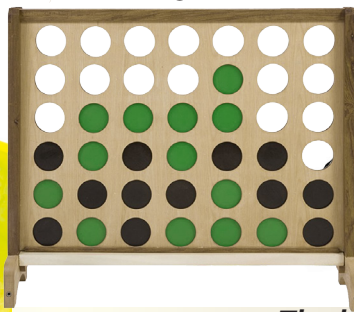
Big Game Hunters has been designing and creating games for children and families since 1997 - so by now we really do know what we are doing.

Here are just a few that are great for the whole family as well as just the kids...

The Parachute Game



Giant Four in a Row Games; Hardwood Big 4 & Jumbo 4



Hardwood Boules



Wooden Skittles



Up 4 It

The logo to look out for...

There are many more products we have created - just look out for our Big Game Hunters logo or flower emblem to be sure you have an official product. The brand is not just a logo, it is the whole family of ideas, service and quality that are behind every product. We are not a huge corporate and do not claim to be - we are proud of who we are and what we create so look out for our brand knowing that each product carrying our logo has a special standard we aim to maintain for years and years to come...



Random Factoid Bubbles

Wooden Playhouses are sometimes called 'Wendy Houses'. This is because in the play 'Peter Pan' by J. M. Barrie, Peter (the boy who never grew up) built a

small house around Wendy when she was shot in Neverland.



Please retain for future reference
EU Registered Design No. 003025162-001

+441865 392439
sales@biggamehunters.co.uk
biggamehunters.co.uk
@theplayexperts

