

Big Game
hunters



PLAYHOUSES



RedWood ManSion
INSTRUCTIONS

Tools Required

Benötigtes Material / Accessoires / Herramientas
Strumenti da lavoro / Benodigdgheden



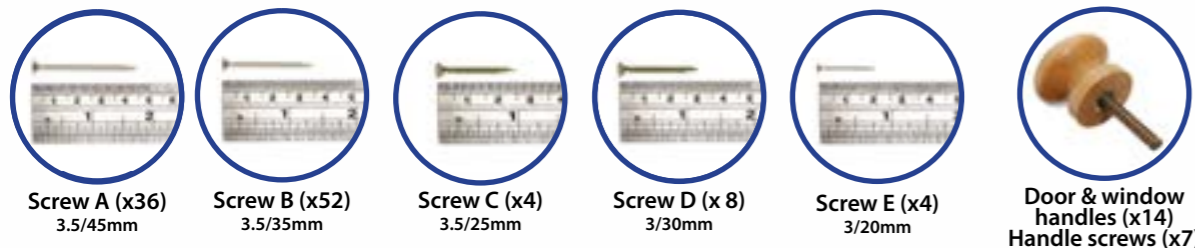
Two pairs of hands

Crosshead Screwdriver

**we recommend using an electric screwdriver for ease, but a manual will work - you will just need a little more elbow grease!*

Parts Included

Unterteile / Liste des pièces / Lista de partes
Elenco degli elementi / Onderdelen



Screw A (x36)
3.5/45mm

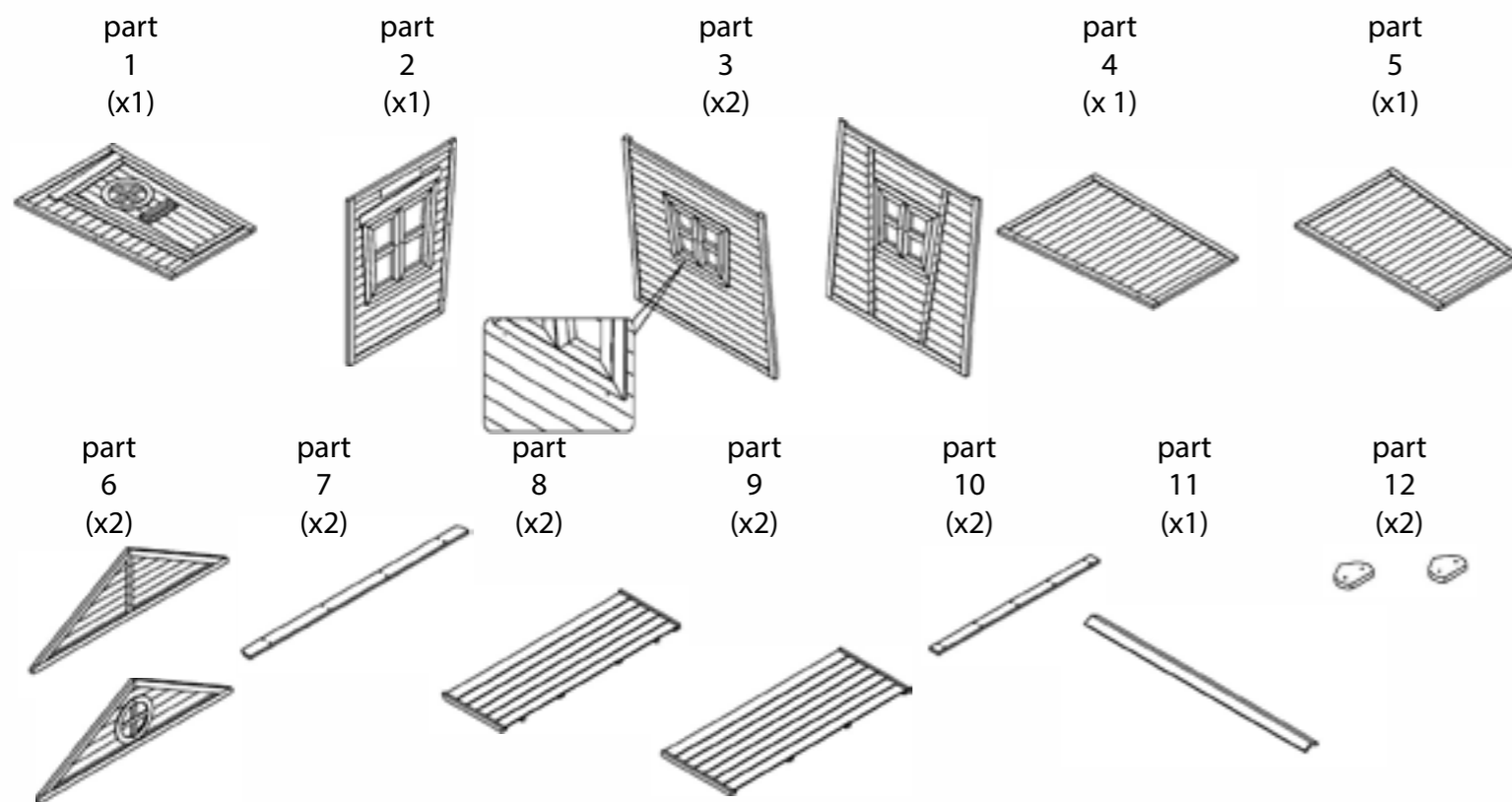
Screw B (x52)
3.5/35mm

Screw C (x4)
3.5/25mm

Screw D (x8)
3/30mm

Screw E (x4)
3/20mm

Door & window handles (x14)
Handle screws (x7)



part 1
(x1)

part 2
(x1)

part 3
(x2)

part 4
(x1)

part 5
(x1)

part 6
(x2)

part 7
(x2)

part 8
(x2)

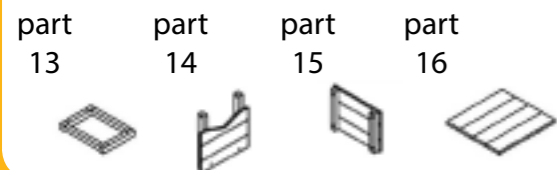
part 9
(x2)

part 10
(x2)

part 11
(x1)

part 12
(x2)

Chimney Parts



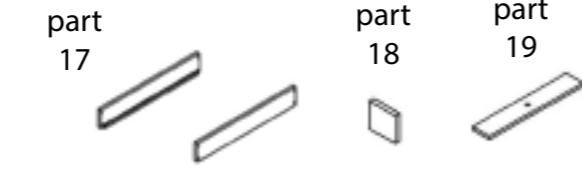
part 13

part 14

part 15

part 16

Window Box Parts



part 17

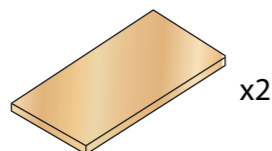
part 18

part 19

Floor Panels*

**If you've purchased the Redwood Mansion, the floor is available to purchase separately.*

If you've purchased the Redwood Penthouse or Den, the floor is included.



x2

Before Installation

Check all parts are present!

Our factory takes every effort to make sure everything is packed in its proper place. But just in case a small part has gone astray please make sure you check every piece is present before you begin installing - right down to the screws.

Assemble with Care

Installation should be completed by two adults. Please make sure you follow all the instructions carefully. If you have any questions during installation please do not hesitate to contact us on:

+441865 392439 or email sales@biggamehunters.co.uk and we will be happy to advise.

Please make sure you read all the safety warnings and advice in this instruction manual.

Install the playhouse on a level surface and ensure it is at least 2m away from other structures and obstacles such as houses, garages, fences, branches or clothes lines. Never place the playhouse on a wet or loose surface.

It is recommended to secure any playhouse with a platform to the ground using ground anchors (which are available for purchase separately). This provides extra stability and safety.

Never place the playhouse on a hard surface like concrete or asphalt. A fall from a playhouse onto a hard surface like this could result in serious injury. Playhouses with a platform height of 60cm (24ins) or more must be installed onto a shock absorbing surface such as grass, play bark or sand.

If your playhouse has a slide it is advisable not to place your slide facing south as the heat from the sun could make the slide hot to the touch.

Any modifications made by the consumer must be carried out according to the manufacturer's instructions.

Please adhere to the warnings to ensure proper use of this playhouse and ultimately to ensure full enjoyment!



Remember...

We strongly recommend looking after these instructions, after all without them it will be a bit tricky to put this product together. Even though we know our customers are more intelligent than most, we still think you may find these instructions useful. *But if something unexpected were to happen, such as;*

Your dog ate them...

or your children constructed a kite out of them?

or your neighbour ran over them in their car?

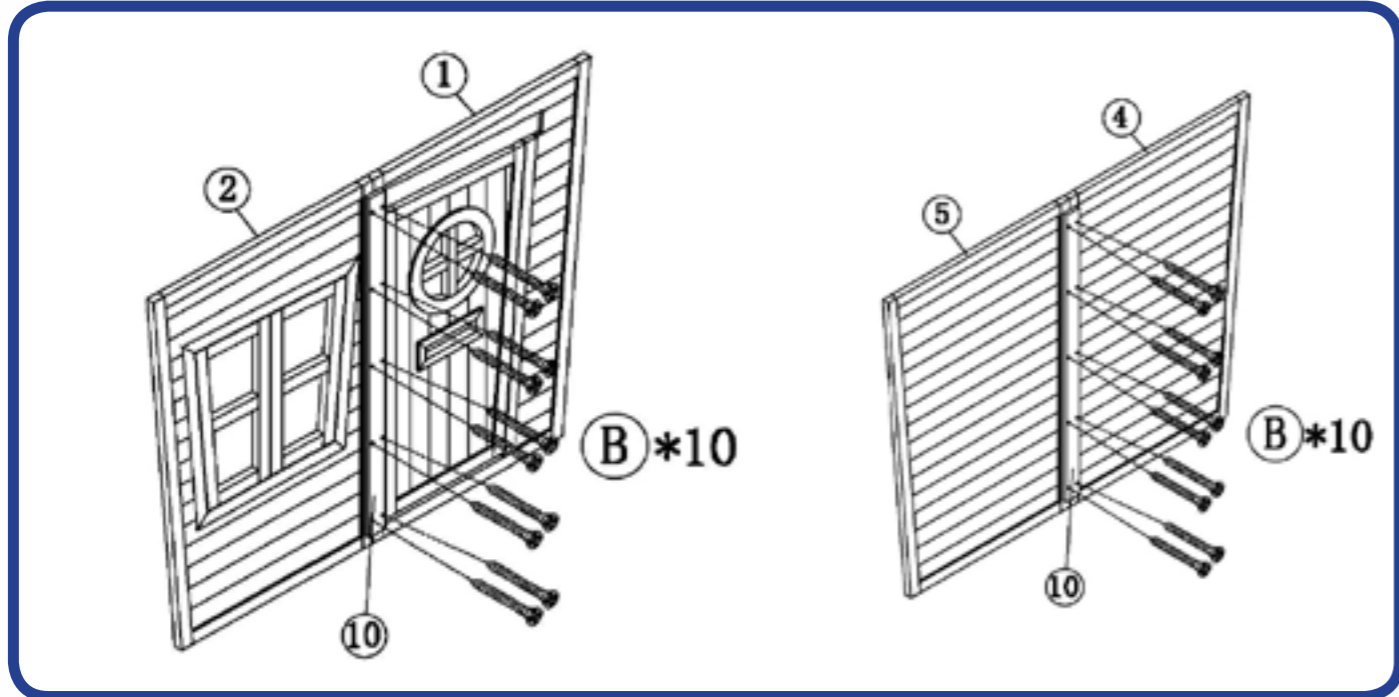
You would have nothing to fear because we have uploaded all of our instructions to our website:
www.biggamehunters.co.uk

1

Assemble the Front & Back Panels

You will need:
 Parts 1 & 2 (front panels), Parts 4 & 5 (back panels), 2 x Parts 10 (connecting strips)
 20 x Screws B (3.5 x 35mm)

Fix one part 10 to parts 1 and 2 using 10 x screws B as shown in the diagram. Fix the other part 10 to parts 4 and 5 using 10 x screws B as shown in the second part of the diagram.

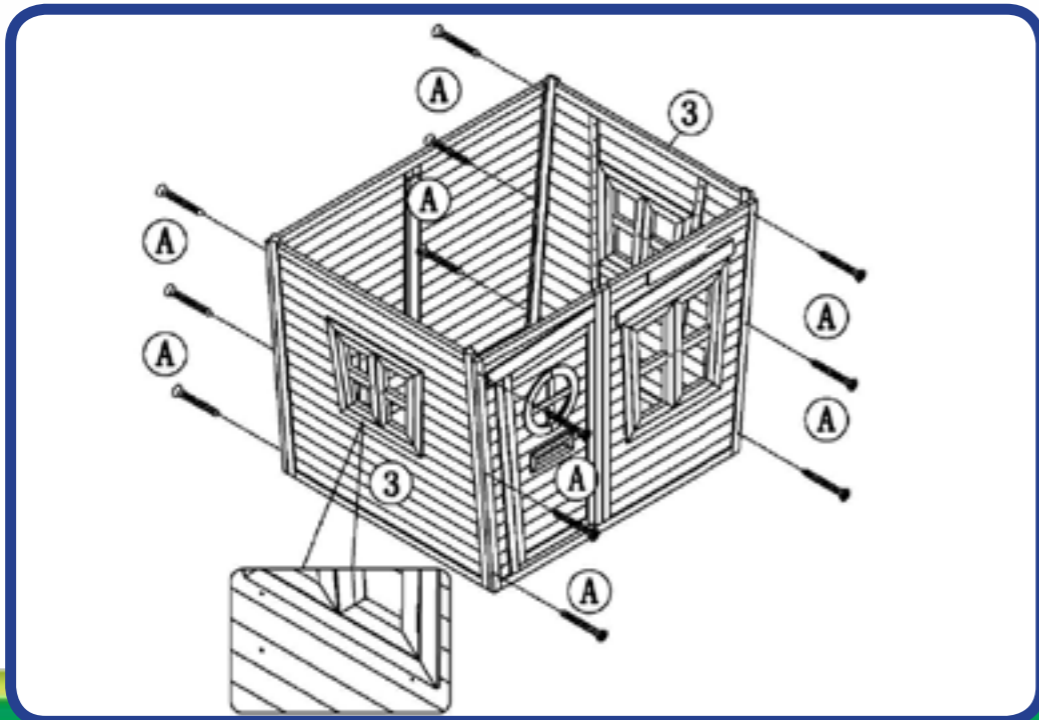


2

Assemble the Main Frame

You will need:
 Assembled front and back panels from steps 1 & 2
 Parts 3 (side panels) 12 x screws A (3.5 x 45mm)

Fix the front and back panels to the side panels using 12 x screws A (6 on the front, 6 on the back) as shown in the diagram. Make sure the side panels are facing the correct way; the sides with the vertical strips of wood should be facing inwards.

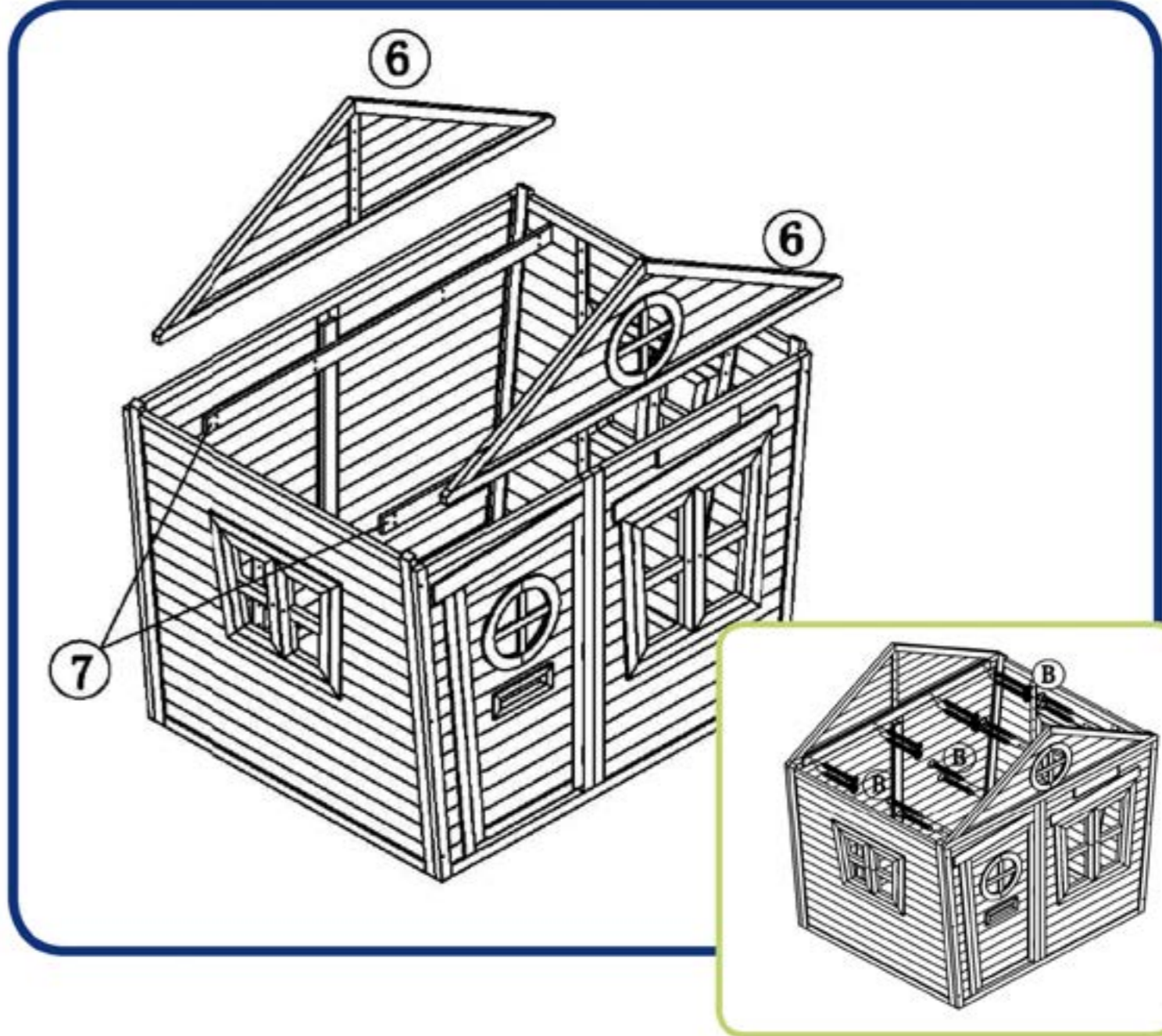


3

Fix the Top Panels

You will need:
 Parts 6 & 7 (2 triangular panels and 2 connecting strips)
 16 x screws B (3.5 x 35mm)

Place part 6 (with the round window) on top of the front panel. From inside the house, place part 7 (connecting strip) where the two panels join. Now fix in place using 8 x screws B as shown in the diagram. Repeat this for the back panel.



4

Attach the Roof Panels

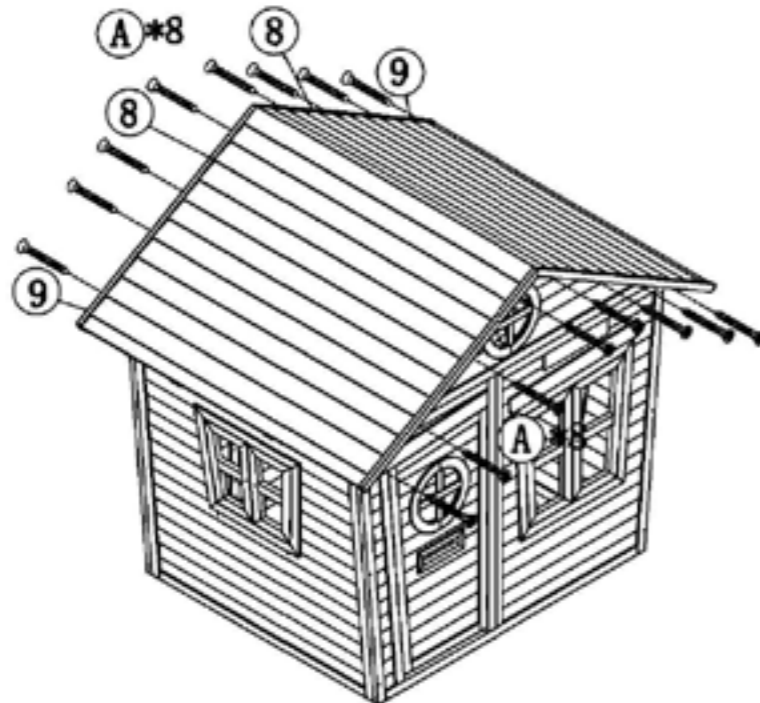
You will need:

- Assembled house frame from steps 1 -3
- Parts 8 & 9 (2 upper roof panels & 2 lower roof panels)
- 16 x Screws A (3.5 x 45mm)

Slot parts 9, the lower roof panels, into place first. (The rafters line up with the side panels to simply slot in place, as shown in the image to the right).



Slot parts 8 (upper roof panels) into place. (The ends without rafters are at the top, as shown in the image). Now use 16 x screws A to fix the roof panels in place; screw into the front and back panels, underneath the roof overhang. (8 on the front, 8 on the back).



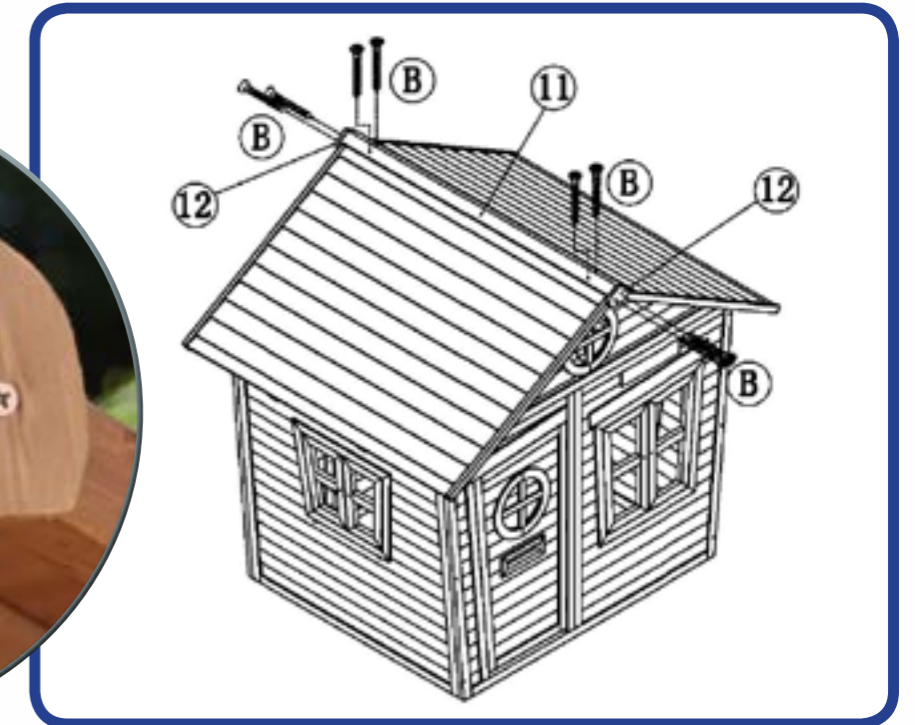
5

Add Edging Strip and Ends

You will need:

- Assembled house frame from steps 1-4 (made from parts 1 - 9)
- Part 11 & 12 (roof ridge and finials)
- 8 x screws B (3.5 x 35mm)

Place the roof ridge on top of the roof. Secure it into place using 4 screws B. Now add the roof finials (parts 12) to where the roof panels meet on both sides of the house using 4 screws B. Fix the metal name plaque onto the end using the two screws provided.



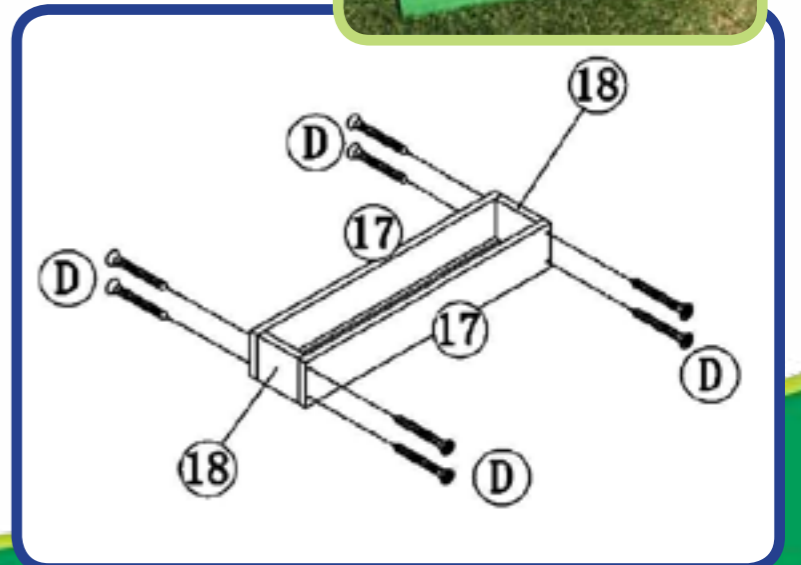
6

Build the Flower Box

You will need:

- Parts 17 & 18
- 8 x screws D (3 x 30mm)

Build the flower box as demonstrated in the drawing below. Attach two parts 17 to two parts 18 using eight screws 'D'.

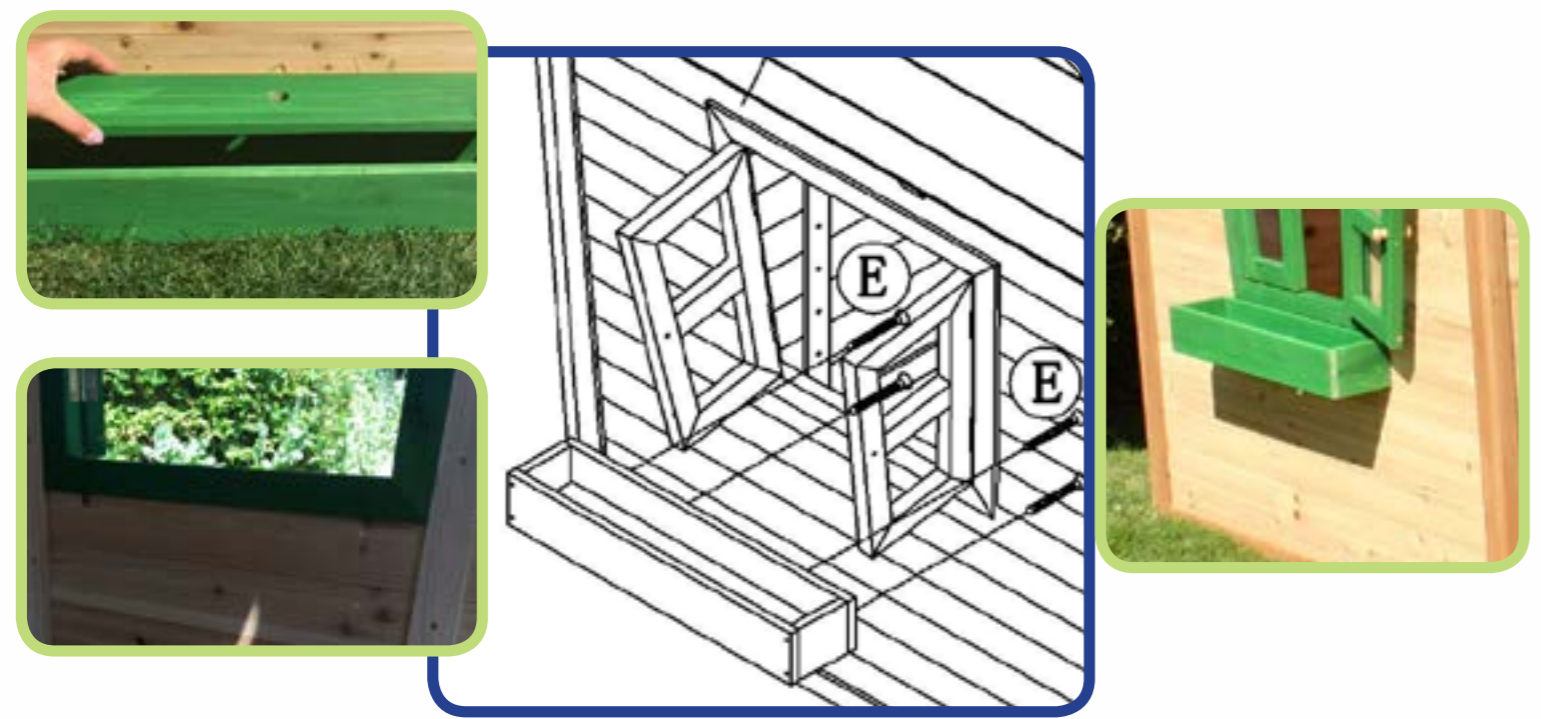


7

Attach the Flower Box

You will need:
Pre-assembled flower boxes from step 6 (parts 17 & 18)
4 x screws E (3 x 20mm)

Slot part 19 inside the flower box then fix the box to the house using four screws 'E'. From inside the playhouse, use 4 x screws E and the predrilled holes in the side panel, to fix the flower box in place, as shown in the diagram.

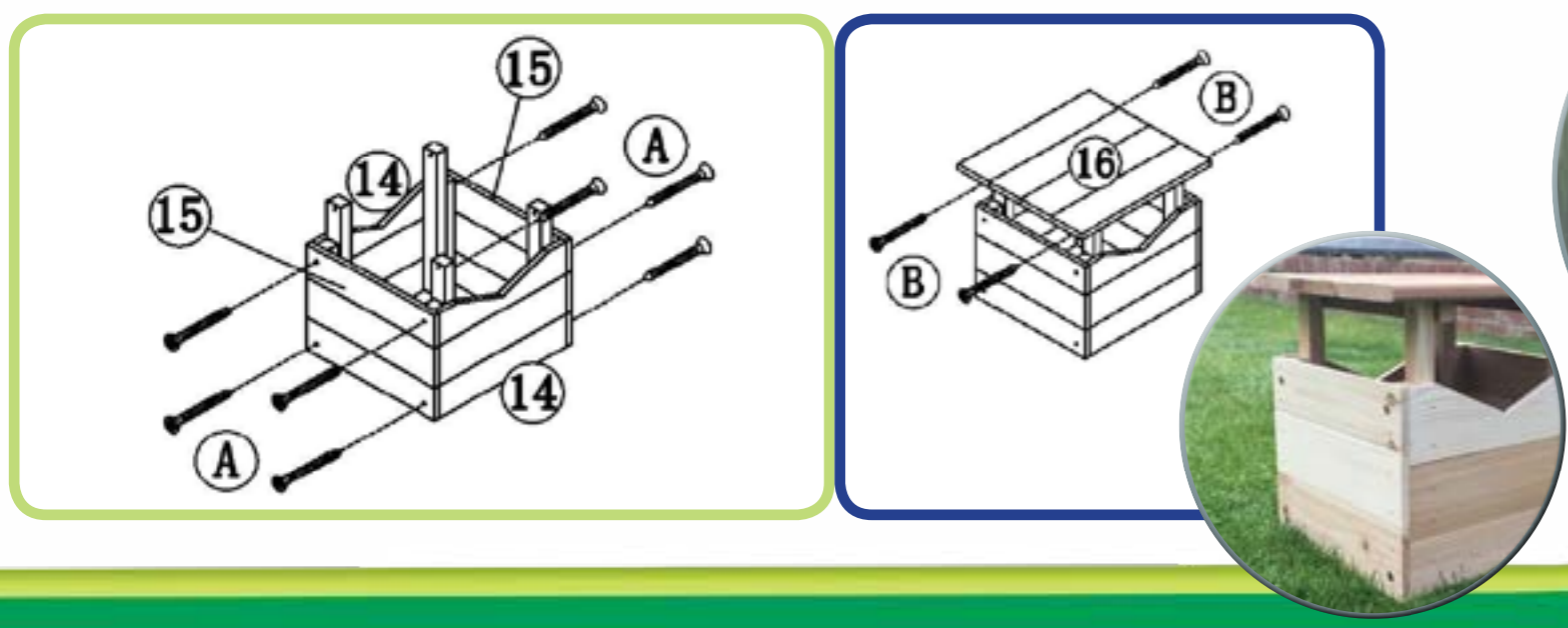


8

Assemble the Chimney

You will need:
Parts 14, 15, 16
4 x screws B (3.5 x 35mm)

Fix parts 15 to parts 14 using 4 screws A on each side. Place part 16 on top of the chimney and screw into place using the 4 holes in part 14 and 4 x screws B.



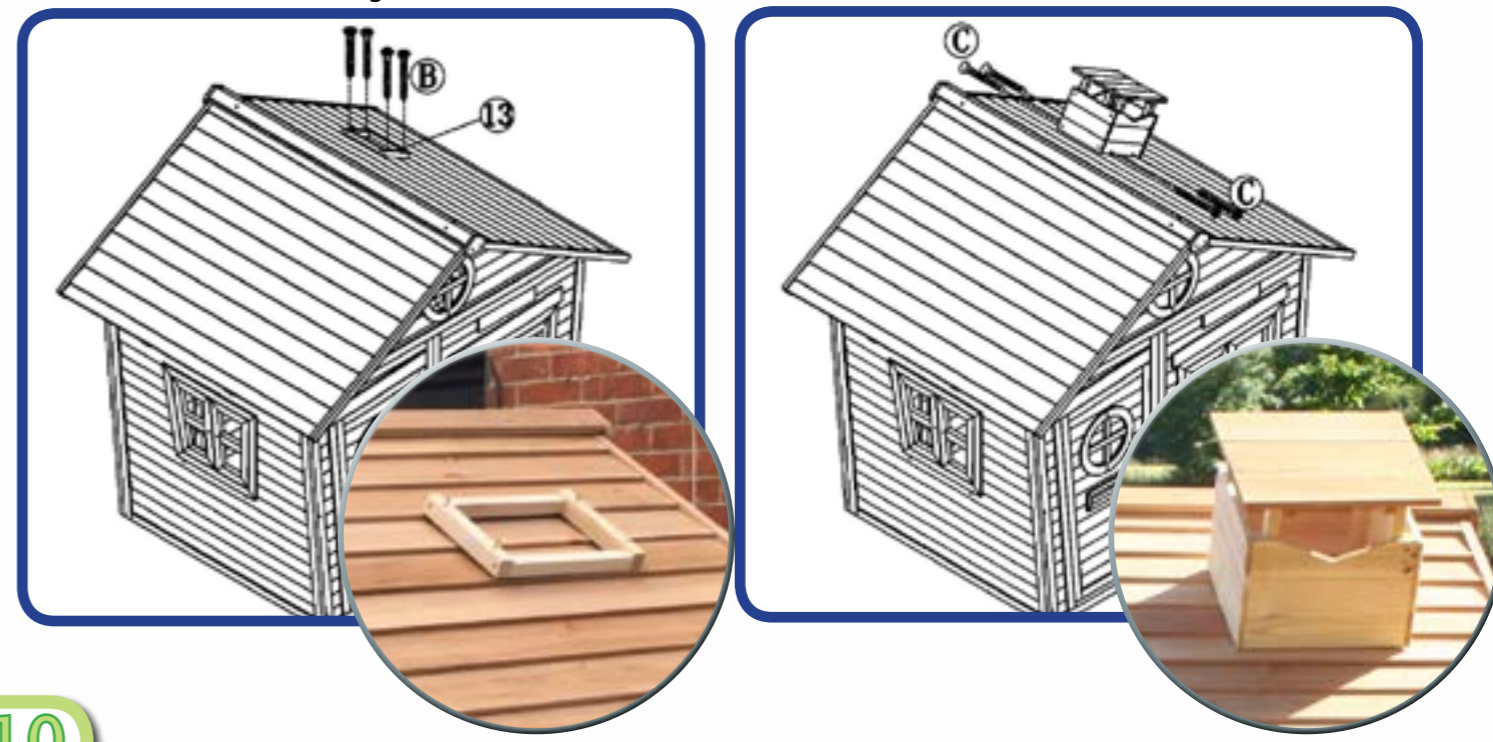
9

Attach the Chimney to the House

You will need:
Assembled chimney from step 8 (parts 12 - 15)
Part 13

4 x Screws B & 4 x Screws C

Fix part 13 onto the roof panel using 4 x screws B. Place the chimney over the chimney base and fix in place using 4 screws C, as shown in the diagram.

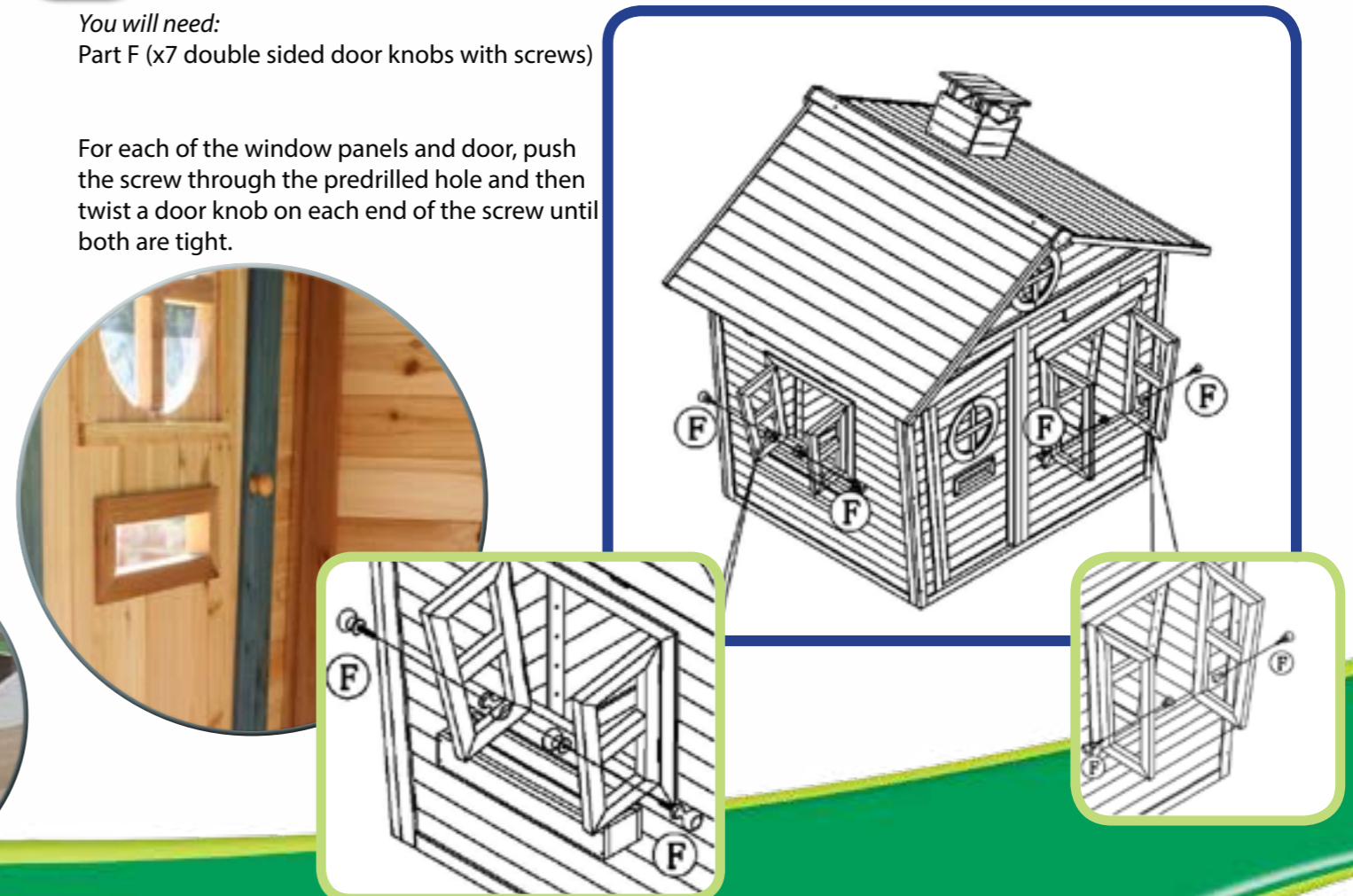


10

Install Door & Window Handles

You will need:
Part F (x7 double sided door knobs with screws)

For each of the window panels and door, push the screw through the predrilled hole and then twist a door knob on each end of the screw until both are tight.



If you've purchased the floor for your Redwood Mansion, the two floor panels simply slot side by side inside the house – no assembly required.



Your mansion playhouse is now ready for your little one's many adventures... The natural wood is the perfect base for decorating. Why not add a splash of paint in your children's favourite colours?



Inspection & Maintenance

We recommend the following maintenance.

Looking After Your Playhouse

Your playhouse is made from heat-treated natural wood. It is also protected from insect infestation and fungal growth, and sourced from sustainable forests. The wood has been coated with a water-based treatment which includes a mould inhibitor and UV protection, but it is strongly recommended that you treat the house with a clear timber preserver when first assembled, and re-treat once a year to extend the life of your playhouse.

On rare occasions, when you first erect the playhouse in wet conditions and where it is wet or rainy for a prolonged time, then followed by a burst of sunshine, it is still possible to get some mould on some panels. Please be reassured that this can be washed off with a mould cleaner or wiped down with a baking soda solution.


Baking soda is a natural disinfectant and very mild, so this solution cleans mould without leaving a scent. Dissolve baking soda into a water and vinegar solution, spray onto the surface, let it sit for a little while and then wipe with a damp cloth.


Weekly to monthly / routine visual inspection


Regularly check the playhouse for splinters and any signs of wear and tear. It is important to check all screws and tighten or replace where necessary. This should be done after assembly and then at least twice a month while in use. If any parts are found to be defective or damaged they must be replaced immediately according to the manufacturer's requirements. If the regular checks on the playhouse are not carried out the unit could become a hazard and even tip over.





Warnings!


 **The playhouse is designed for children between 18 months - 12 years old only. The playhouses are designed for use by two children with a combined weight of 100 kg. Do not climb or play on the roof of the playhouse. For domestic use only! Designed for outdoor use only!**

 **Warnung! Das Spielhaus ist nur für Kinder zwischen 18 Monaten - 12 Jahren geeignet. Die Spielhäuser sind für zwei Kinder mit einem Gesamtgewicht von 100 kg ausgelegt. Klettern oder spielen Sie nicht auf dem Dach des Spielhauses. Nur für den Hausgebrauch! Nur für den Außenbereich geeignet!**

 **Attention! Le théâtre est conçu pour les enfants entre 18 mois -12 ans seulement. Les playhouses sont conçus pour être utilisés par deux enfants avec un poids combiné de 100kgs. Ne grimpez pas et ne jouez pas sur le toit de la salle de spectacle. Pour usage domestique seulement! Conçu pour une utilisation en extérieur seulement!**

 **¡Advertencia! La casa de juegos está diseñada para niños de entre 18 meses -12 años solamente. Los teatros están diseñados para ser utilizados por dos niños con un peso combinado de 100 kg. No trepe ni juegue en el techo de la casa de juegos. ¡Exclusivamente para uso doméstico! Diseñado solo para uso al aire libre!**

 **Attenzione! La casetta è progettata per bambini tra i 18 mesi -12 anni. Le casette sono progettate per essere utilizzate da due bambini con un peso combinato di 100 kg. Non salire o giocare sul tetto della casetta. Solo per uso domestico! Progettato solo per uso esterno!**

 **Waarschuwing! Het speelhuis is ontworpen voor kinderen tussen 18 maanden - 12 jaar oud. De speelhuizen zijn ontworpen voor gebruik door twee kinderen met een gecombineerd gewicht van 100 kg. Klim of speel niet op het dak van het speelhuisje. Alleen voor huishoudelijk gebruik! Alleen ontworpen voor gebruik buitenshuis!**

ARE YOU a PLAY EXPERT?

Take a photo and share it with us using #littleplayexpert or #bigplayexpert and be part of our growing network of play experts! Thousands of people every day are showing us that they are truly expert at play and playing in so many different ways - are you?



42 likes

@theplayexperts Literally jumping for joy! I think we are seriously #bigplayexpert s ! #nevertooold #foreveryoung



107 likes

@theplayexperts our niece and daughter enjoying a game at a family wedding. Never too young for chess!



94 likes

loving the hi tower challenge @theplayexperts - its harder than it looks! #bigplayexpert #littleplayexpert



51 likes

The concentration on their faces! #littleplayexpert @theplayexperts

Not Just PLAYHOUSES...

You may or may not be aware that we design and make many different kinds of garden games and play equipment.

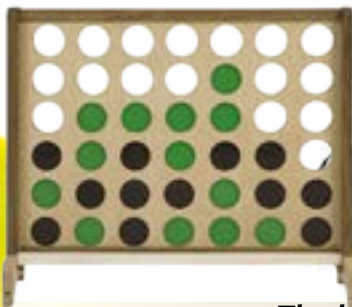
Big Game Hunters has been designing and creating games for children and families since 1997 - so by now we really do know what we are doing.

Here are just a few that are great for the whole family as well as just the kids...

The Parachute Game



Giant Four in a Row Games; Hardwood Big 4 & Jumbo 4



Hardwood Boules



Wooden Skittles



Up 4 It

The logo to look out for...

There are many more products we have created - just look out for our Big Game Hunters logo or flower emblem to be sure you have an official product. The brand is not just a logo, it is the whole family of ideas, service and quality that are behind every product. We are not a huge corporate and do not claim to be - we are proud of who we are and what we create so look out for our brand knowing that each product carrying our logo has a special standard we aim to maintain for years and years to come...



Random Factoid Bubbles

Wooden Playhouses are sometimes called 'Wendy Houses'. This is because in the play 'Peter Pan' by J. M. Barrie, Peter (the boy who never grew up) built a

small house around Wendy when she was shot in Neverland.

UK CA

CE

Please retain for future reference
EU Registered Design No. 003025162-001

+441865 392439
sales@biggamehunters.co.uk
biggamehunters.co.uk
@theplayexperts

Garden Games Limited
Chadwick Farm • Garford
Oxfordshire • OX13 5PD • England

