

Big Game  
hunters



# PLAYHOUSES



RedWood Lodge  
INSTRUCTIONS

## Tools Required

Benötigtes Material / Accessoires / Herramientas  
Strumenti da lavoro / Benodigdheden

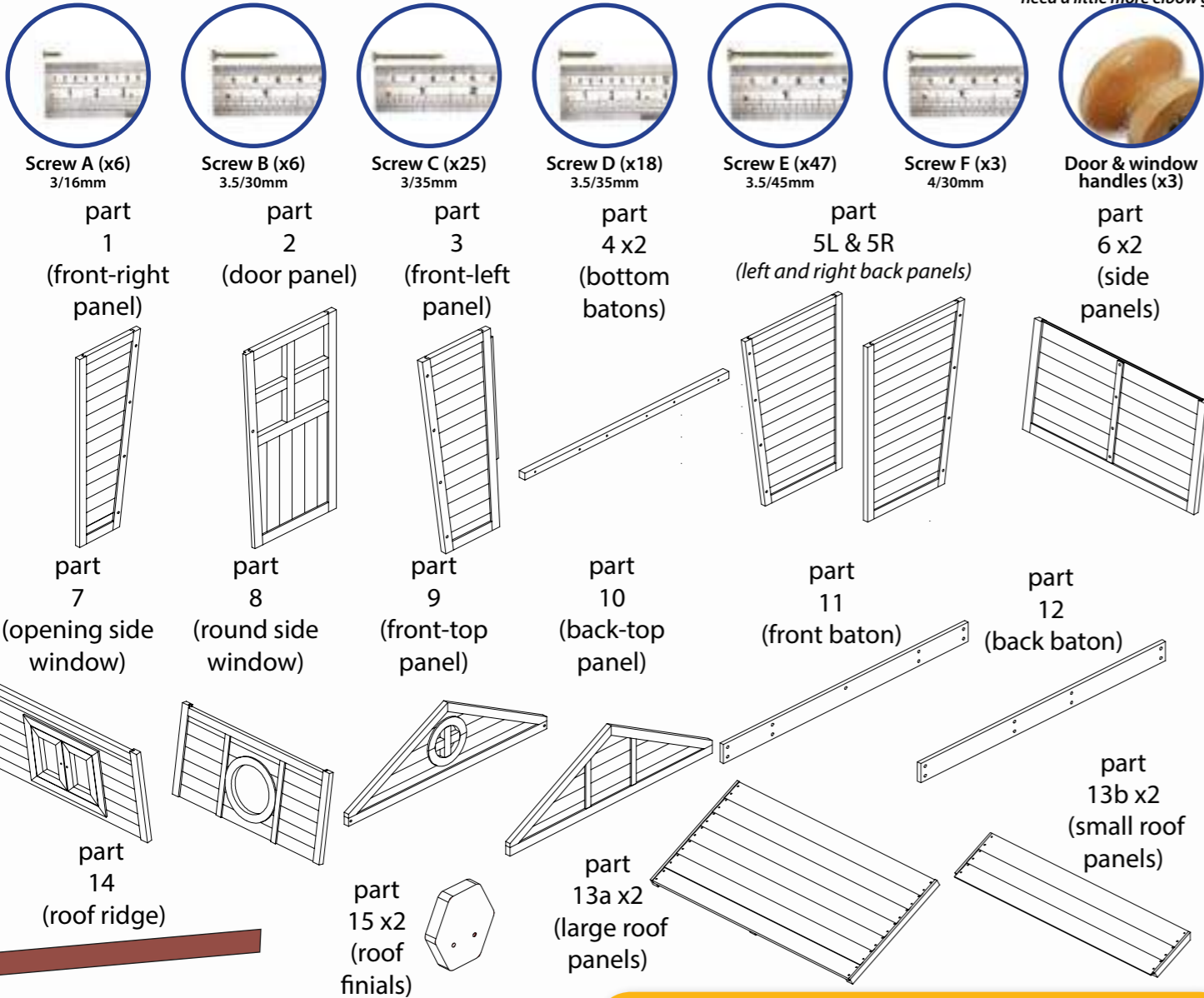


Two pairs of hands

Crosshead Screwdriver

## Parts Included

Unterteile / Liste des pièces / Lista de partes  
Elenco degli elementi / Onderdelen



*\*we recommend using an electric screwdriver for ease, but a manual will work - you will just need a little more elbow grease!*

## Before Installation

### Check all parts are present!

Our factory takes every effort to make sure everything is packed in its proper place. But just in case a small part has gone astray please make sure you check every piece is present before you begin installing - right down to the screws.

### Assemble with Care

Installation should be completed by two adults. Please make sure you follow all the instructions carefully. If you have any questions during installation please do not hesitate to contact us on +441865 392439 or email sales@biggamehunters.co.uk and we will be happy to advise.

Please make sure you read all the safety warnings and advice in this instruction manual.

Install the playhouse on a level surface and ensure it is at least 2m away from other structures and obstacles such as houses, garages, fences, branches or clothes lines. Never place the playhouse on a wet or loose surface. It is recommended to secure any playhouse with a platform to the ground using ground anchors (which are available for purchase separately). This provides extra stability and safety. Never place the playhouse on a hard surface like concrete or asphalt. A fall from a playhouse onto a hard surface like this could result in serious injury.

Any modifications made by the consumer must be carried out according to the manufacturer's instructions. Please adhere to the warnings to ensure proper use of this playhouse and ultimately to ensure full enjoyment!

1

## Building the Main House: Create the Door Panel

You will need:

Part 1 (front-right panel)  
Part 2 (door panel)  
6 x Screws A (3 x 16mm)

Line up part 2 with part 1 so the top is level and screw the hinges into place using 3 x screws A for each hinge.

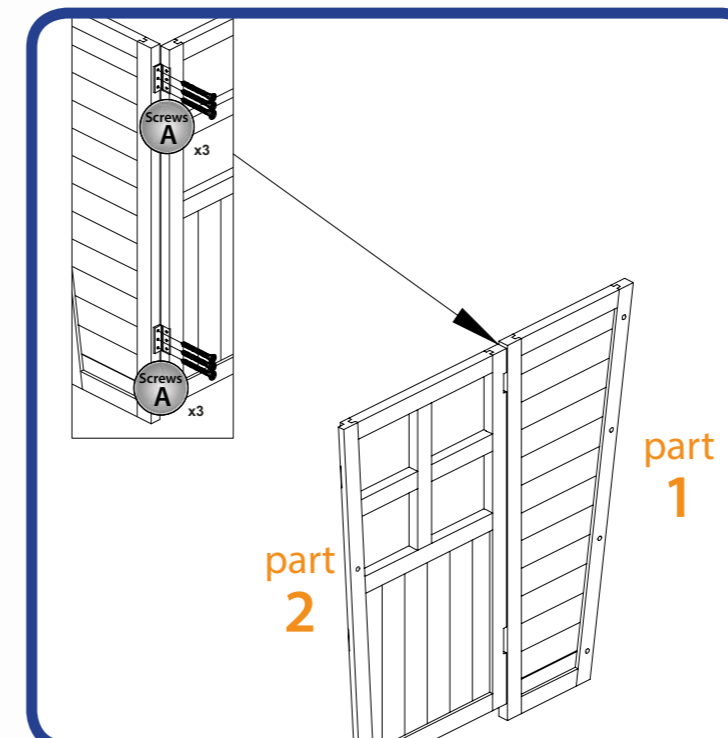


diagram 1

2

## Building the Main House: Complete the Front Panel

You will need:

Preassembled door panel from step 1  
Part 3 (front-left panel), Part 4 (bottom baton)  
4 x Screws E

Line up part 3 with the door panel, place part 4 along the bottom and screw into place using 4 x screws E as shown.

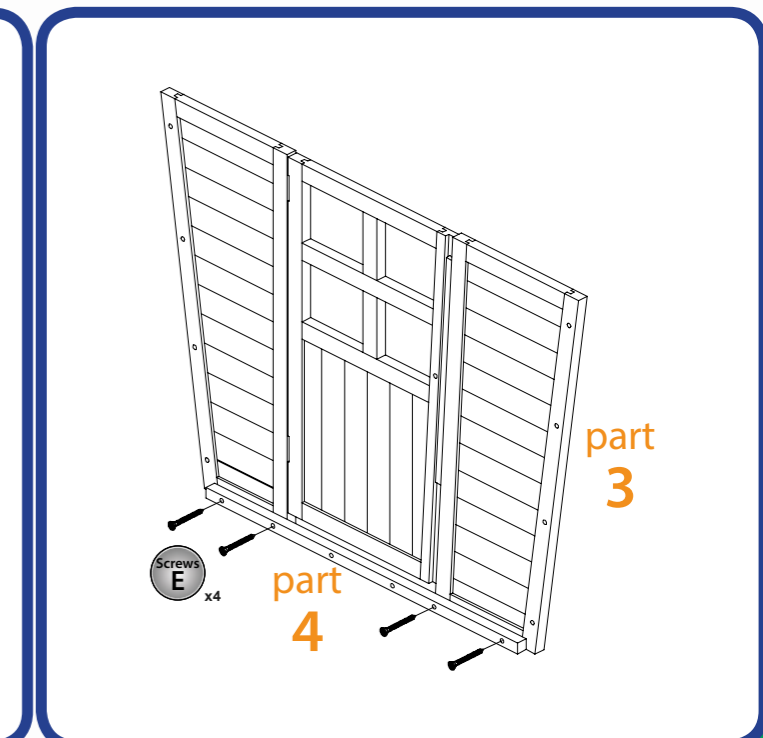
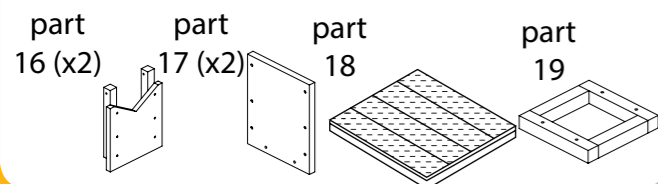
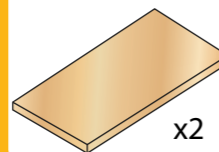


diagram 2

## Chimney



## Optional Floor (available to purchase separately)



One by one, slot the floor panels through the door. Lay them flat, side by side, one to the left and one to the right. The floor panels will sit flush with the bottom of the wall panels.



**3****Building the Main House:  
Create the Back Panel**

*You will need:*  
Parts 5L and 5R (back panels)  
Part 4 (bottom baton)

6 x Screws E (3.5 x 45mm)

Place parts 5L and 5R side by side, place part 4 (the remaining bottom baton) along the bottom and screw into place using 6 x screws E.

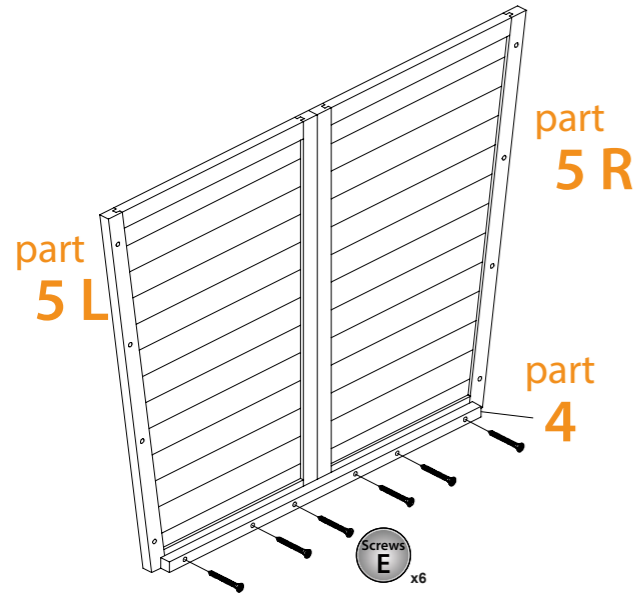


diagram 3

**5****Building the Main House:  
Add the Windows**

*You will need:*  
Preassembled parts from steps 1-4  
Part 7 (opening side window)  
Part 8 (round side window)  
8 x Screws E (3.5 x 45mm)

Place part 7 (opening window) on the left side, between the front and back panels. Screw into place using two screws E from the front and two from the back. Repeat this for the other side using part 8 (round side window).

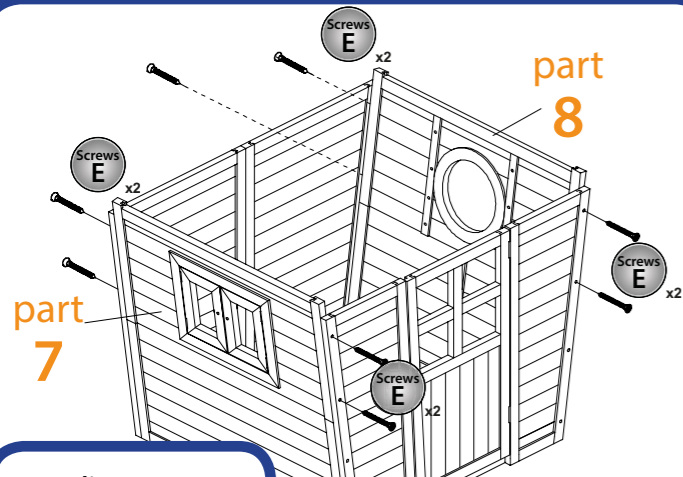


diagram 5

**4****Building the Main House:  
Add the Sides**

*You will need:*  
Preassembled parts from steps 1-3  
Part 6 x 2 (side panels)  
8 x Screws E (3.5 x 45mm)

Place a part 6 between the front and back panels. Screw into place using 2 x screws E at the front. Screw through the front panel and into the side panel. Repeat this for the back using 2 x screws E. Repeat this step for the other side using the remaining part 6.

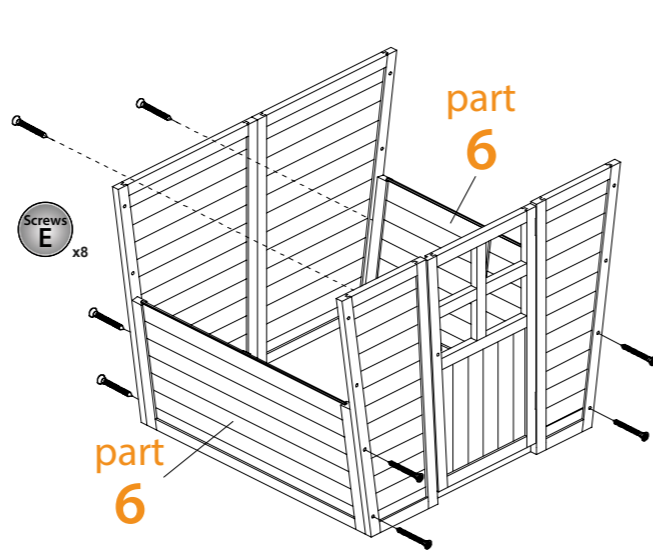


diagram 4

**6****Building the Main House:  
Add the Top Panels**

*You will need:*  
Preassembled parts from steps 1-5  
Part 9 (front-top panel) Part 10 (back-top panel)  
Part 11 (front baton) Part 12 (back baton)  
17 x Screws D (3.5 x 35mm)

Place part 9 at the front, on top of the door panel so they sit flush. Part 11 (front baton) holds part 9 in place by using nine screws D as shown. Screw through the baton and into part 9 and the door panel. Repeat this for the back using part 10 and eight screws D.

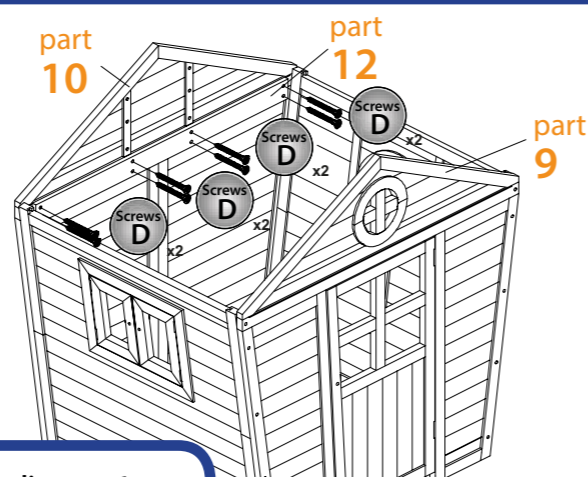


diagram 6

**7****Building the Main House:  
Add the Roof**

*You will need:* Preassembled parts from steps 1-6  
Part 13a & 13b x 2 (large & small roof panels)  
16 x Screws E (3.5 x 45mm)  
Place all four roof panels on top of the house (smaller 13b near the top). The batons underneath the roof panels will make sure they sit correctly as they line up with the side panels. From inside the house, screw the roof panels into place by using eight screws E front and back as shown. Screw through the roof batons and into the panels.

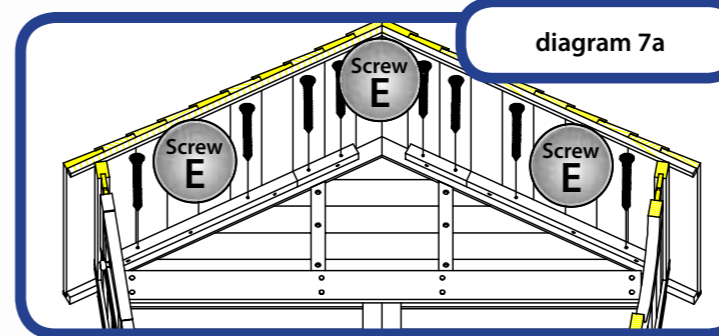


diagram 7a

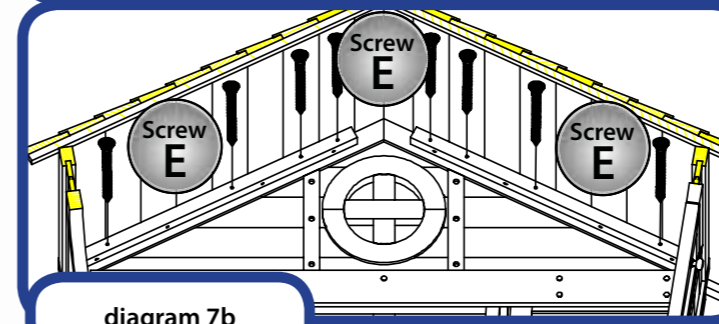


diagram 7b

**9****Building the Main House:  
Add the Roof Finials**

*You will need:*  
Preassembled parts from steps 1-8  
Part 15 x 2 (roof finials)  
4 x Screws C (3 x 35mm)

Place a part 15 at the back, where the ridge meets the roof panels. Screw in place using two screws C. Repeat this for the front using the second finial.

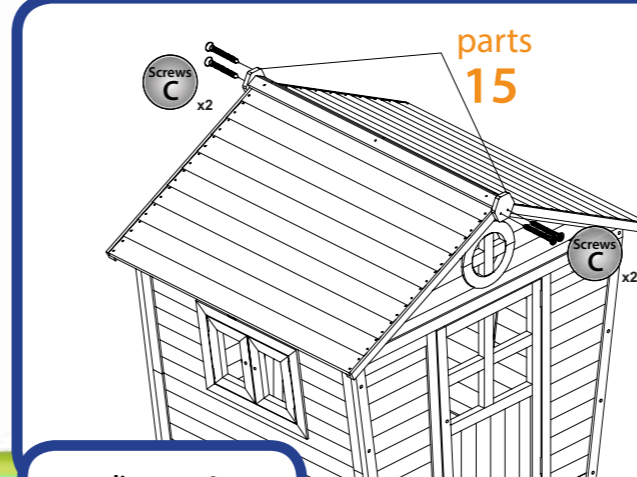


diagram 9

**8****Building the Main House:  
Add the Roof Ridge**

*You will need:* Preassembled parts from steps 1-7  
Part 14 (roof ridge)  
6 x Screws B (3.5 x 30mm)

Place part 14 (roof ridge) along the middle length of the roof. Using six screws B, screw from the top to fix the ridge in place.

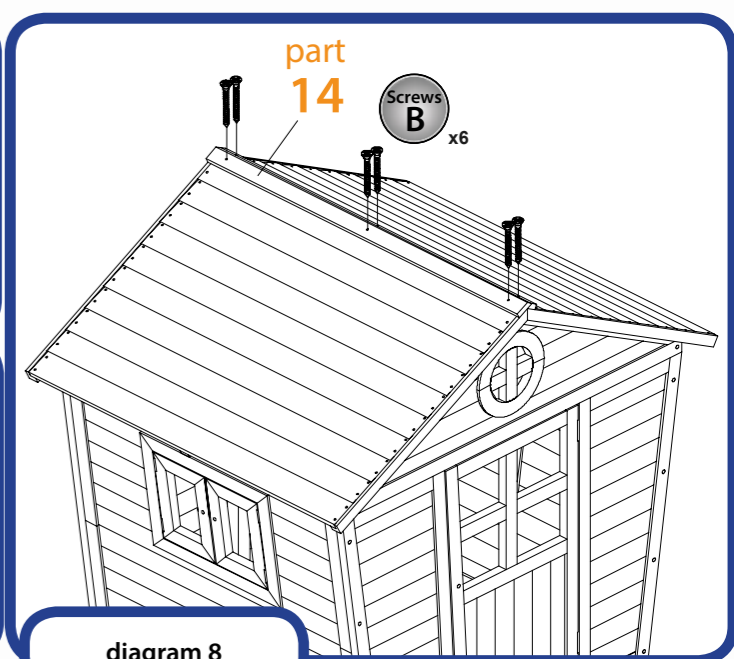


diagram 8

**10****Create the Chimney**

*You will need:*  
Part 16 x 2 (chimney front and back)  
Part 17 x 2 (chimney sides)  
12 x Screws C (3 x 35mm)

Create a square with parts 16 at the front and back, and parts 17 at the sides as shown. Make sure parts 17 (sides) are on the inside and all edges are flush. Fix one side in place using six screws C, (screw from the outside). Repeat this for the other side.

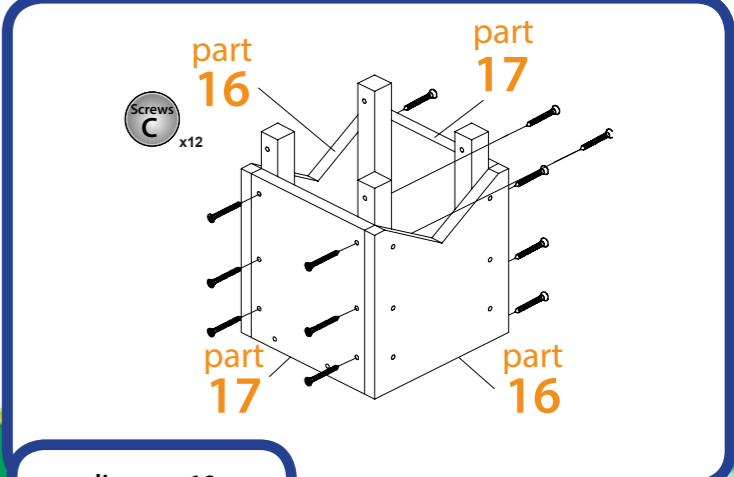


diagram 10

# 11

## Add the Chimney Top

**You will need:**  
 Preassembled chimney sides from step 10  
 Part 18 (chimney top)  
 4 x Screws E (3.5 x 45mm)

Place part 18 (chimney top) on top of the chimney, making sure the batons underneath are in line with the upright blocks on the sides. Now screw through the upright blocks into the batons on part 18 (chimney top).

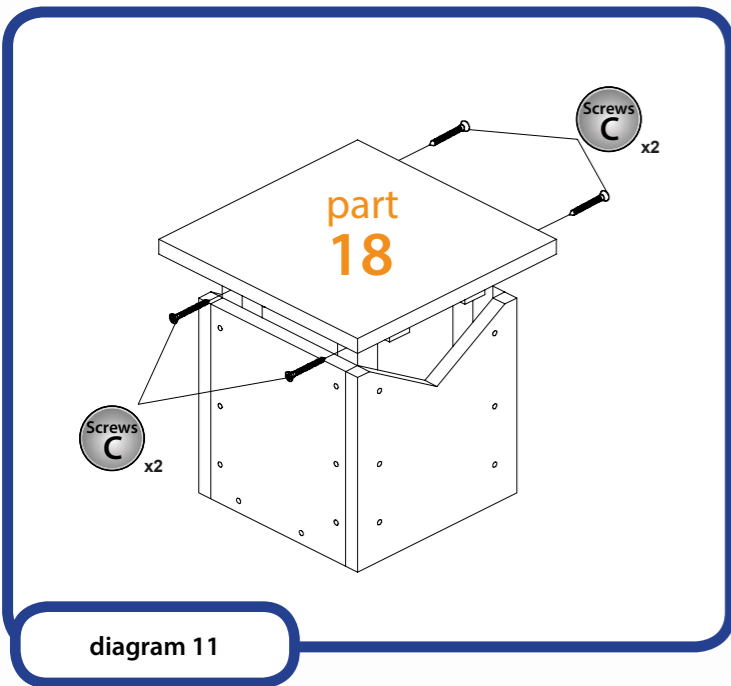


diagram 11

# 12

## Add the Chimney Base

**You will need:**  
 Preassembled house from steps 1-9  
 Part 19 (chimney base)  
 4 x Screws C (3 x 35mm)

Place part 19 (chimney base) on the roof, in any position you like, making sure the screw holes are at the top and bottom as shown. Use four screws C to fix the base in place.

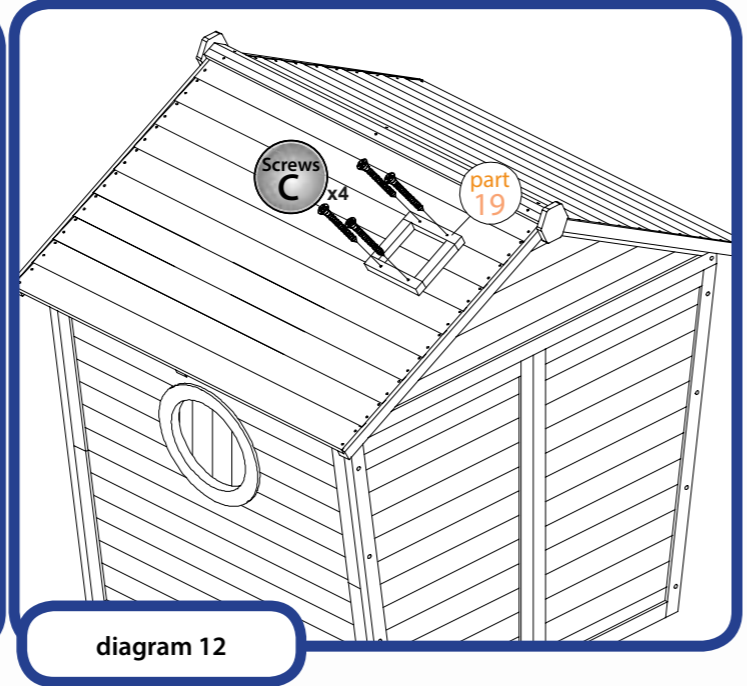


diagram 12

# 13

## Add the Chimney

**You will need:**  
 Preassembled house and chimney from steps 1-12  
 4 x Screws C (3 x 35mm)

Slot the chimney on top of the chimney base. Make sure the angled chimney pieces are facing front and back. Screw through the chimney sides and into the chimney base using four screws C.

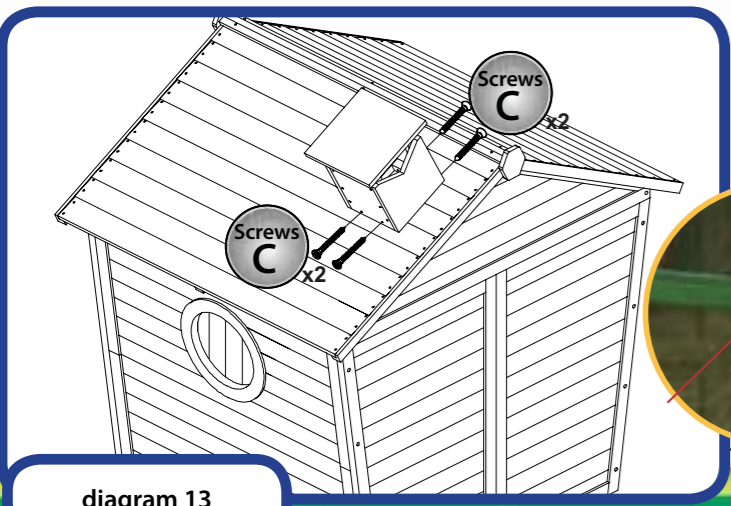


diagram 13

# 14

## Adding the Door and Window Handles

**You will need:**  
 Preassembled house from steps 1-13  
 3 x Screws F (4 x 30mm)  
 3 x Part G (door and window knobs)

From the outside of the opening window, line up a part G (window knob) with the predrilled hole. From the other side of the window, use a screw F to screw through the window frame and into the window knob. Repeat this for the other window frame and the front door.

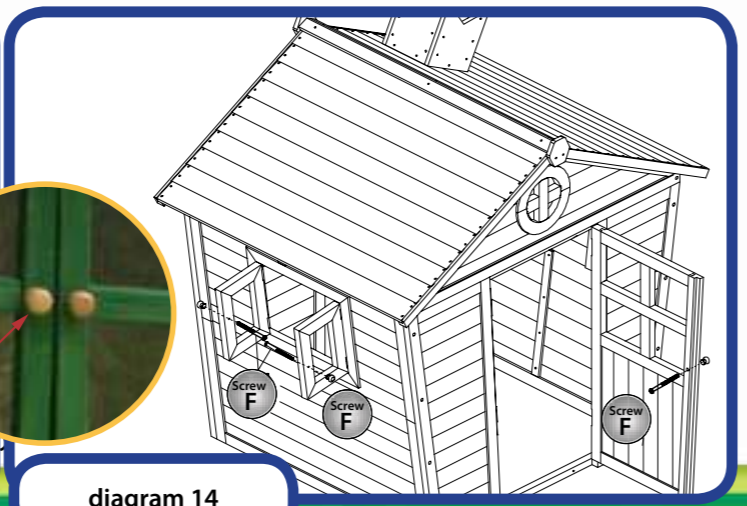


diagram 14

## Inspection & Maintenance

*We recommend the following maintenance.*

### Looking After Your Playhouse

Your playhouse is made from heat-treated and pre-painted natural wood. It is also protected from insect infestation and fungal growth, and sourced from sustainable forests. The pre-painted colour stain includes a mould inhibitor and UV protection to keep the colours vibrant, but it is strongly recommended that you re-treat the house once a year with a clear timber preserver to extend the life of your playhouse. On rare occasions, when you first erect the playhouse in wet conditions and where it is wet or rainy for a prolonged time, then followed by a burst of sunshine, it is still possible to get some mould on some panels. Please be reassured that this can be washed off with a mould cleaner or wiped down with a baking soda solution. Baking soda is a natural disinfectant and very mild, so this solution cleans mould without leaving a scent. Dissolve baking soda into a water and vinegar solution, spray onto the surface, let it sit for a little while and then wipe with a damp cloth.

### Weekly to monthly / routine visual inspection

Regularly check the playhouse for splinters and any signs of wear and tear. It is important to check all screws and tighten or replace where necessary. This should be done after assembly and then at least twice a month while in use. If any parts are found to be defective or damaged they must be replaced immediately according to the manufacturer's requirements. If the regular checks on the playhouse are not carried out the unit could become a hazard and even tip over.



### Warnings!

**The playhouse is designed for children between 18 months - 12 years old only. The playhouses are designed for use by two children with a combined weight of 100 kg. Do not climb or play on the roof of the playhouse. For domestic use only! Designed for outdoor use only!**

**Warnung! Das Spielhaus ist nur für Kinder zwischen 18 Monaten - 12 Jahren geeignet. Die Spielhäuser sind für zwei Kinder mit einem Gesamtgewicht von 100 kg ausgelegt. Klettern oder spielen Sie nicht auf dem Dach des Spielhauses. Nur für den Hausgebrauch! Nur für den Außenbereich geeignet!**

**Attention! Le théâtre est conçu pour les enfants entre 18 mois - 12 ans seulement. Les playhouses sont conçus pour être utilisés par deux enfants avec un poids combiné de 100kg. Ne grimpez pas et ne jouez pas sur le toit de la salle de spectacle. Pour usage domestique seulement! Conçu pour une utilisation en extérieur seulement!**

**iAdvertencia! La casa de juegos está diseñada para niños de entre 18 meses - 12 años solamente. Los teatros están diseñados para ser utilizados por dos niños con un peso combinado de 100 kg. No trepe ni juegue en el techo de la casa de juegos. ¡Exclusivamente para uso doméstico! Diseño solo para uso al aire libre!**

**Attenzione! La casetta è progettata per bambini tra i 18 mesi - 12 anni. Le casette sono progettate per essere utilizzate da due bambini con un peso combinato di 100 kg. Non salire o giocare sul tetto della casetta. Solo per uso domestico! Progettato solo per uso esterno!**

**Waarschuwing! Het speelhuis is ontworpen voor kinderen tussen 18 maanden - 12 jaar oud. De speelhuizen zijn ontworpen voor gebruik door twee kinderen met een gecombineerd gewicht van 100 kg. Klim of speel niet op het dak van het speelhuisje. Alleen voor huishoudelijk gebruik! Alleen ontworpen voor gebruik buitenshuis!**

### Remember...

We strongly recommend looking after these instructions, after all without them it will be a bit tricky to put this product together. Even though we know our customers are more intelligent than most, we still think you may find these instructions useful.

Should you misplace them, you would have nothing to fear because we have uploaded all of our instructions to our website:

[www.biggamehunters.co.uk](http://www.biggamehunters.co.uk)

# ARE YOU a PLAY EXPERT?

Take a photo and share it with us using **#littleplayexpert** or **#bigplayexpert** and be part of our growing network of play experts! Thousands of people every day are showing us that they are truly expert at play and playing in so many different ways - are you?



42 likes

@theplayexperts Literally jumping for joy! I think we are seriously #bigplayexpert s ! #nevertooold #foreveryoung



107 likes

@theplayexperts our niece and daughter enjoying a game at a family wedding. Never too young for chess!



94 likes

loving the hi tower challenge @theplayexperts - its harder than it looks! #bigplayexpert #littleplayexpert



51 likes

The concentration on their faces! #littleplayexpert @theplayexperts

## Not Just PLAYHOUSES...

You may or may not be aware that we design and make many different kinds of garden games and play equipment.

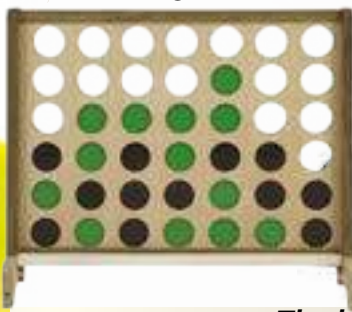
Big Game Hunters has been designing and creating games for children and families since 1997 - so by now we really do know what we are doing.

Here are just a few that are great for the whole family as well as just the kids...

The Parachute Game



Giant Four in a Row Games; Hardwood Big 4 & Jumbo 4



Hardwood Boules



Wooden Skittles



Up 4 It

### The logo to look out for...

There are many more products we have created - just look out for our Big Game Hunters logo or flower emblem to be sure you have an official product. The brand is not just a logo, it is the whole family of ideas, service and quality that are behind every product. We are not a huge corporate and do not claim to be - we are proud of who we are and what we create so look out for our brand knowing that each product carrying our logo has a special standard we aim to maintain for years and years to come...



Random Factoid Bubbles

Wooden Playhouses are sometimes called 'Wendy Houses'. This is because in the play 'Peter Pan' by J. M. Barrie, Peter (the boy who never grew up) built a

small house around Wendy when she was shot in Neverland.



Please retain for future reference

+441865 392439  
sales@biggamehunters.co.uk  
biggamehunters.co.uk  
@theplayexperts

