

Big Game  
hunters



# Mud Play



Outdoor perSpeX Easel  
INSTRUCTIONS



## Tools Required

Benötigtes Material / Accessoires / Herramientas  
Strumenti da lavoro / Benodigdheden

## Parts Included

Unterteile / Liste des pièces / Lista de partes  
Elenco degli elementi / Onderdelen



One pair of hands

Crosshead Screwdriver

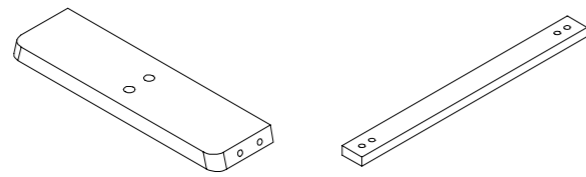
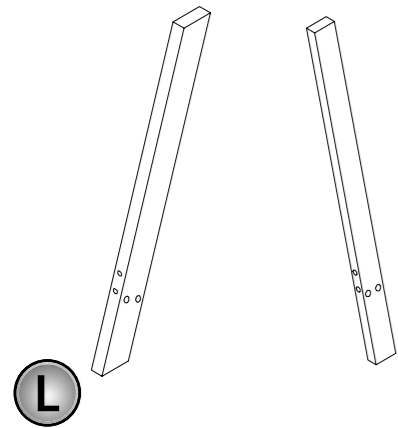


part 1 L  
(x2)  
Left Legs

part 1 R  
(x2)  
Right Legs

part 2  
(x2)  
Side Ledges

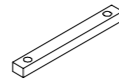
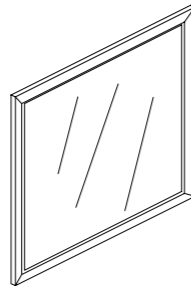
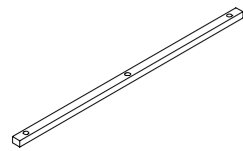
part 3  
(x1)  
Main Window Ledge



part 4  
(x1)  
Long Brush Ledge

part 5  
(x1)  
Perspex Window

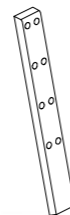
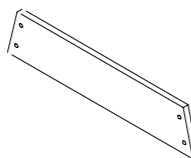
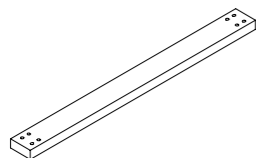
part 6  
(x1)  
Short Brush Ledge



part 7  
(x1)  
Top Panel

part 8  
(x2)  
Side Panels

part 9  
(x4)  
Leg Extenders



## Before Installation

### Check all parts are present!

Our factory takes every effort to make sure everything is packed in its proper place. But just in case a small part has gone astray please make sure you check every piece is present before you begin installing - right down to the screws.

### Assemble with Care

Installation should be completed by an adult. Please make sure you follow all the instructions carefully. If you have any questions during installation please do not hesitate to contact us. Please make sure you read all the safety warnings and advice in this instruction manual. Install the Easel on a level surface and ensure it is at least 2m away from other structures and obstacles such as houses, garages, fences, branches, clothes lines or electrical wires. Never place the product on a wet or loose surface.

Your Easel is made from heat-treated natural wood. The product is treated with a coat of water-based preserver, but it is **strongly recommended that you treat it with additional preserver on assembly and every year to preserve its appearance.**

*Please follow the warnings for proper use of this Easel and ultimately to ensure full enjoyment!*



## Remember...

We strongly recommend looking after these instructions, after all without them it will be a bit tricky to put this product together. Even though we know our customers are more intelligent than most, we still think you may find these instructions useful.  
*But if something unexpected were to happen, such as,*

*Your dog ate them or...*

*your children constructed a kite out of them?*

*Maybe your neighbour ran over it with their car?*

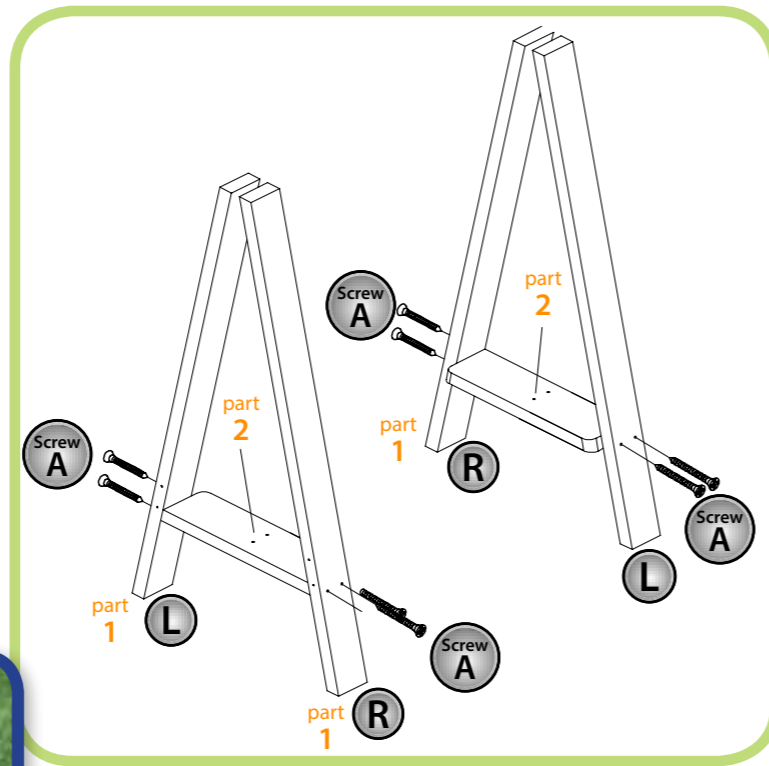
You would have nothing to fear because we have uploaded all of our instructions to our website:  
[www.biggamehunters.co.uk](http://www.biggamehunters.co.uk)

**1****Create the Frame***You will need:*

- Parts 1 (x4) - Legs (Right and Left)
- Parts 2 (x2) - Side Ledges
- 8 x Screws 'A' (3.5 x 50mm)

Attach the a side ledges to one right and one left leg using two screws A at each end. Repeat this for the other side as shown in the diagram.

Make sure the rounded edges of the ledges (parts 2) are facing inwards. The leg bottoms are angled to sit flat on the floor - so make sure you have the correct ones in place before screwing together.

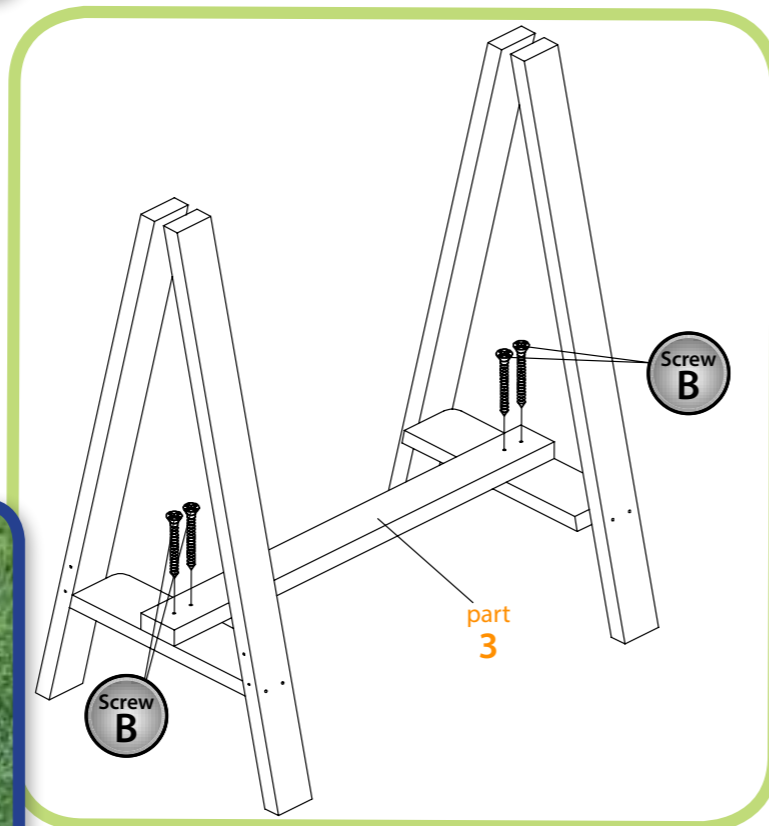
**2****Add the Window Ledge***You will need:*

- Part 3 (x1) - Main Window Ledge
- 4 x Screws 'B' (3.5 x 40mm)

Lay the window ledge (part 3) on top of the side ledges.

Fix in place by screwing through the main window ledge, down into the side ledges.

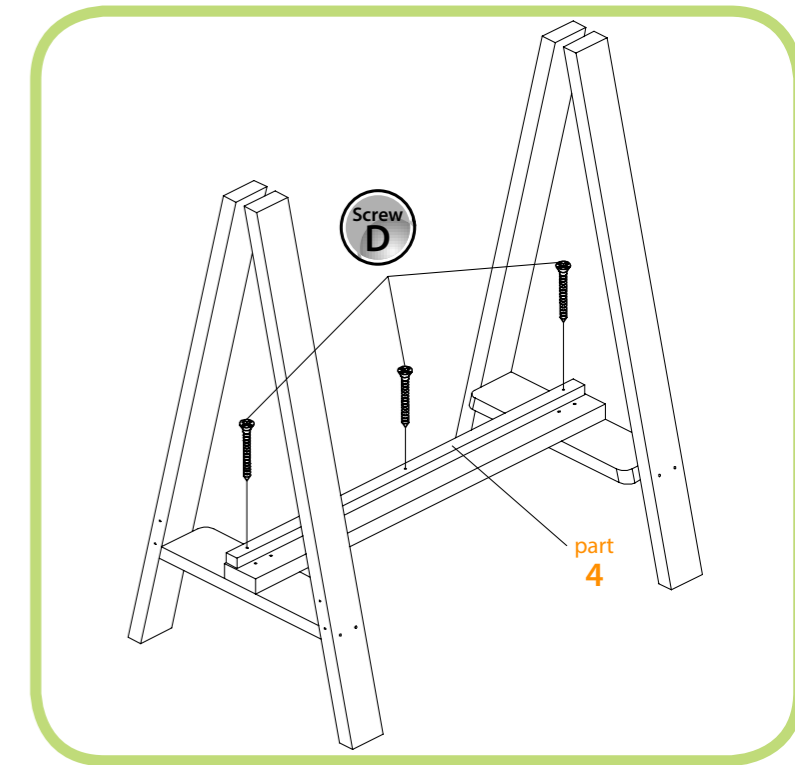
Use four screws B to do this.

**3****Adding the Long Brush Ledge***You will need:*

- Part 4 (x1) - Long Brush Ledge
- 3 x Screws 'D' (3 x 30mm)

Place part 4 (long brush ledge) on top of the main window ledge (as assembled in Step 2).

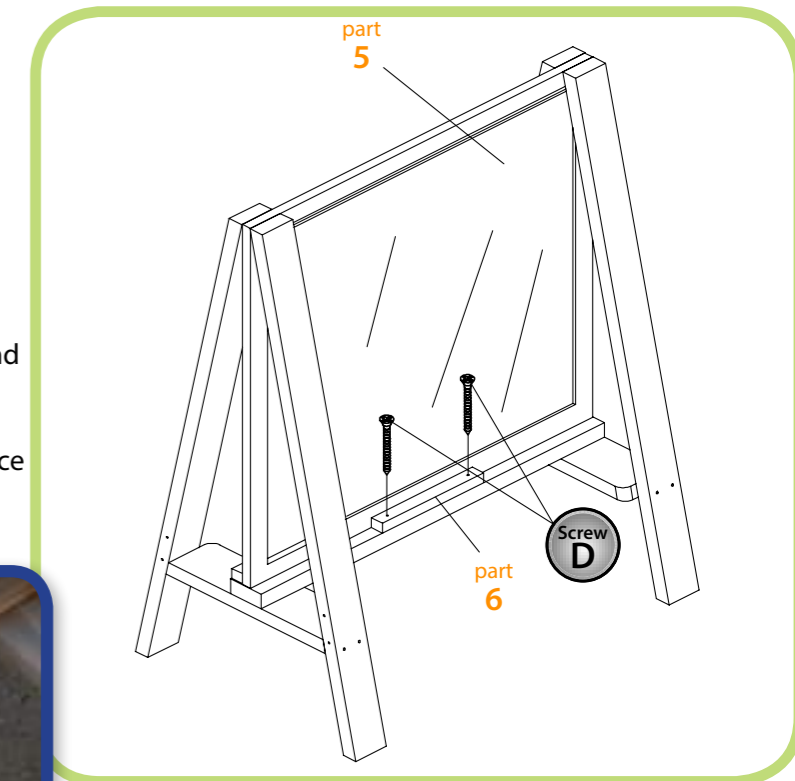
Secure in place using three screws 'D' (3 x 30mm).

**4****Add the Perspex***You will need:*

- Part 5 (x1) - Perspex Window
- Part 6 (x1) - Short Brush Ledge
- 2 x Screws 'D' (3 x 30mm)

Slot the perspex window (part 5) between the legs and in front of the long brush ledge.

Taking the short brush ledge (part 6) screw this in place (in the centre of the main window ledge) using two screws 'D' (3 x 30mm).





5

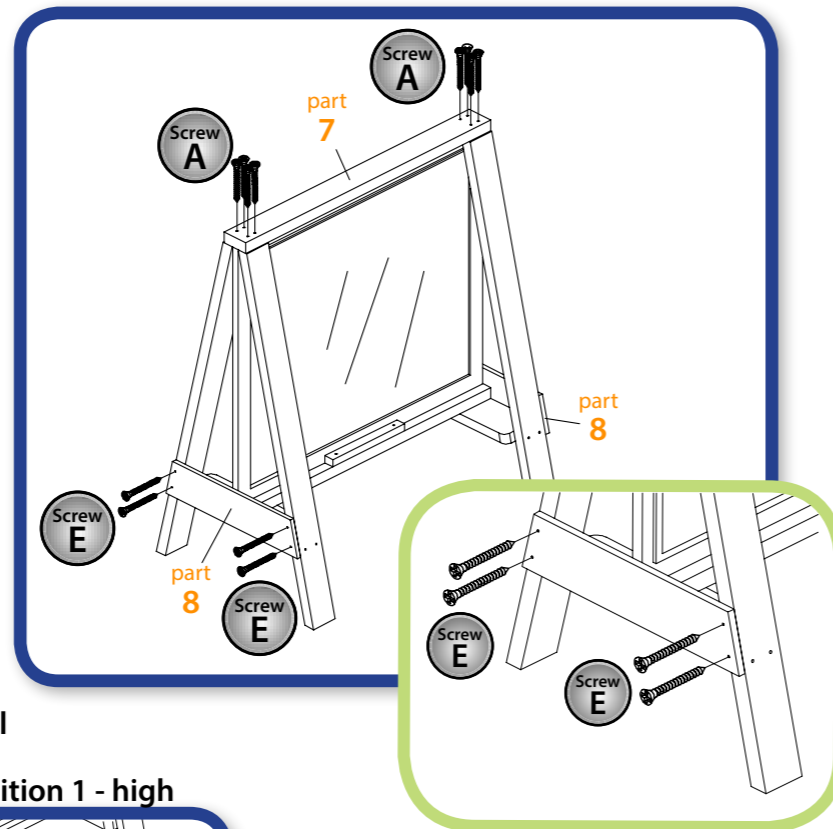
## Adding the Top Panel & Sides

You will need:

- Part 7 - Top Panel
- Parts 8 (x2) - Side Panels
- 8 x Screws 'A' (3.5 x 50mm)
- 8 x Screws 'E' (3 x 20mm)

Line up part 7 with the predrilled holes in the top of the easel. Secure part 7 using four screws A at each end (eight in total).

Then screw the side panels onto the legs of the easel using 2 screws E at each end (8 in total).



6

## Adjusting the Height of the Easel

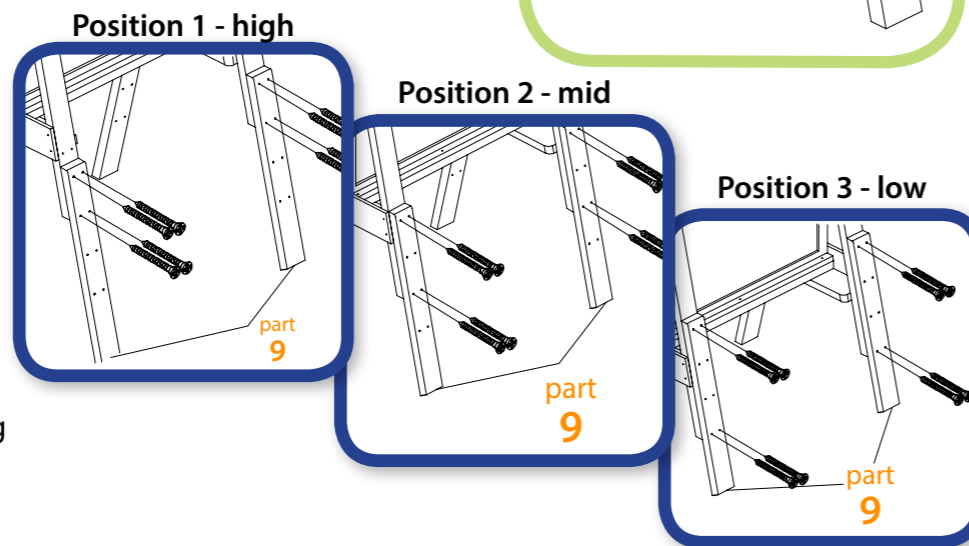
You will need:

- Parts 9 (x4) - Leg Extenders
- 16 x Screws 'C' (3.5 x 35mm)

Simply screw the legs on using four screws C in each leg as shown in the diagrams. Now make sure all the screws are tightened and your easel is situated somewhere flat, well drained and safe - following the instructions on page 2.

You can use the easel without the leg extenders (it will stand at 79.5cm).

You can increase the height of the easel up to 113cm by using the leg extenders.



7

## Using Your Easel

You will need:

- Paintbrushes or dry wipe marker pens
- Water pot/s
- Damp Cloth

To use the easel, you can draw or paint on in with a variety of materials. Here are some ideas:

**Mud.** As part of our mud play range you can use this outside with mud and a paint brush (or hands). You may want to use some pots of water to help manoeuvre the mud around the easel and you may need a cloth or hose to clean up afterwards! Wellies and overalls are optional but highly recommended!

**Paint.** You can paint on the easel as you would paper (inside or outside) using water based paints. If you are using this on a surface you can't easily wash down afterwards we would suggest placing newspaper on the floor beforehand.

**Dry wipe/washable markers.** Using pens is probably the least messy option - you can wipe them off afterwards with a dry or damp cloth. Just be aware that these may stain the wooden frame depending on the type of pen used. Try experimenting with washable markers and a little water on a paint brush to blend the colours on the easel.



## Inspection & Maintenance

We recommend the following maintenance.

### Looking After Your Perspex Easel

Your Easel must be treated once a year with a suitable wood preserver or child-friendly oil to keep the wood healthy and prevent water damage. Wipe the wood with a cloth to remove excess water after each use. On rare occasions, when you first erect the product in wet conditions and where it is wet or rainy for a prolonged time, then followed by a burst of sunshine, it is possible to get some mould on some panels. Please be reassured that this can be washed off with a mould cleaner or wiped down with a baking soda solution. Baking soda is a natural disinfectant and very mild, so this solution cleans mould without leaving a scent. Dissolve baking soda into a water and vinegar solution, spray onto the surface, let it sit for a little while and then wipe with a damp cloth.

### Weekly to monthly / routine inspection

Regularly check the Easel for splinters and any signs of wear and tear. It is important to regularly check all parts, including the supports and panels. It is important to check all screws and tighten or replace where necessary.

This inspection and maintenance should be carried out after assembly and then at least twice a month while in use and at the start of each season.

Replace defective parts in accordance with the manufacturer's instructions.

## Warnings!

The easel is designed for children aged 18 months +. For indoor or outdoor use. Do not climb on the Easel. Only for domestic use!

**Warnung!** Die Staffelei ist für Kinder ab 18 Monaten +. Für den Innen- oder Außenbereich. Klettern Sie nicht auf den Staffelei. Nur für den Hausgebrauch!

**Attention!** Le chevalet est conçu pour les enfants entre 18 mois +. Pour un usage extérieur ou intérieur. Ne grimpez pas sur le chevalet. Pour usage domestique seulement!

**¡Advertencia!** El caballete es para niños mayores de 18 meses +. Para uso interno o externo. No te subas al caballete. ¡Exclusivamente para uso doméstico!

**Attenzione!** Il cavalletto di fango per bambini 18 mesi + Non salire sul cavalletto. Per uso interno o esterno. Solo per uso domestico!

**Waarschuwing!** De ezel is ontworpen voor kinderen 18 maanden +. Voor gebruik binnen of buiten. Klim niet op de ezel. Alleen voor huishoudelijk gebruik!



# ARE YOU a PLAY EXPERT?

Take a photo and share it with us using **#littleplayexpert** or **#bigplayexpert** and be part of our growing network of play experts! Thousands of people every day are showing us that they are truly expert at play and playing in so many different ways - are you?



42 likes

@theplayexperts Literally jumping for joy! I think we are seriously #bigplayexpert s! #nevertotoold #foreveryoung



107 likes

@theplayexperts our niece and daughter enjoying a game at a family wedding. Never too young for chess!



94 likes

loving the hi tower challenge @theplayexperts - its harder than it looks! #bigplayexpert #littleplayexpert



51 likes

The concentration on their faces! #littleplayexpert @theplayexperts

## Not Just Mud Play...

You may or may not be aware that we design and make many different kinds of garden games and play equipment as well as our wooden mud play range. Big Game Hunters has been designing and creating games for children and families since 1997 - so by now we really do know what we are doing. Here are just a few that are great for the whole family as well as just the kids...

The Parachute Game



Mega Hi-Tower



Hardwood Boules



Wooden Skittles



Up 4 It

### The logo to look out for...

There are many more products we have created - just look out for our Big Game Hunters logo or flower emblem to be sure you have an official product. The brand is not just a logo, it is the whole family of ideas, service and quality that are behind every product. We are not a huge corporate and do not claim to be - we are proud of who we are and what we create so look out for our brand knowing that each product carrying our logo has a special standard we aim to maintain for years and years to come...



Random Factoid Bubbles

International Mud Day was established in 2009 by school children in Australia and Nepal.

Schools in many countries organise mud play events



Please retain for future reference

+441865 392439  
sales@biggamehunters.co.uk  
biggamehunters.co.uk  
@theplayexperts

