



# Mud Kitchens



Big Game HUNTERS  
MUD KITCHEN  
INSTRUCTIONS

## Tools Required

Benötigtes Material / Accessoires / Herramientas  
Strumenti da lavoro / Benodigdheden



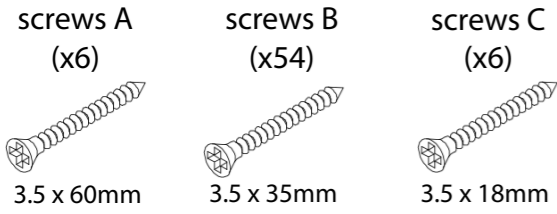
Two pairs of hands

Crosshead Screwdriver

*\*we recommend using an electric screwdriver for ease, but a manual will work - you will just need a little more elbow grease!*

## Parts Included

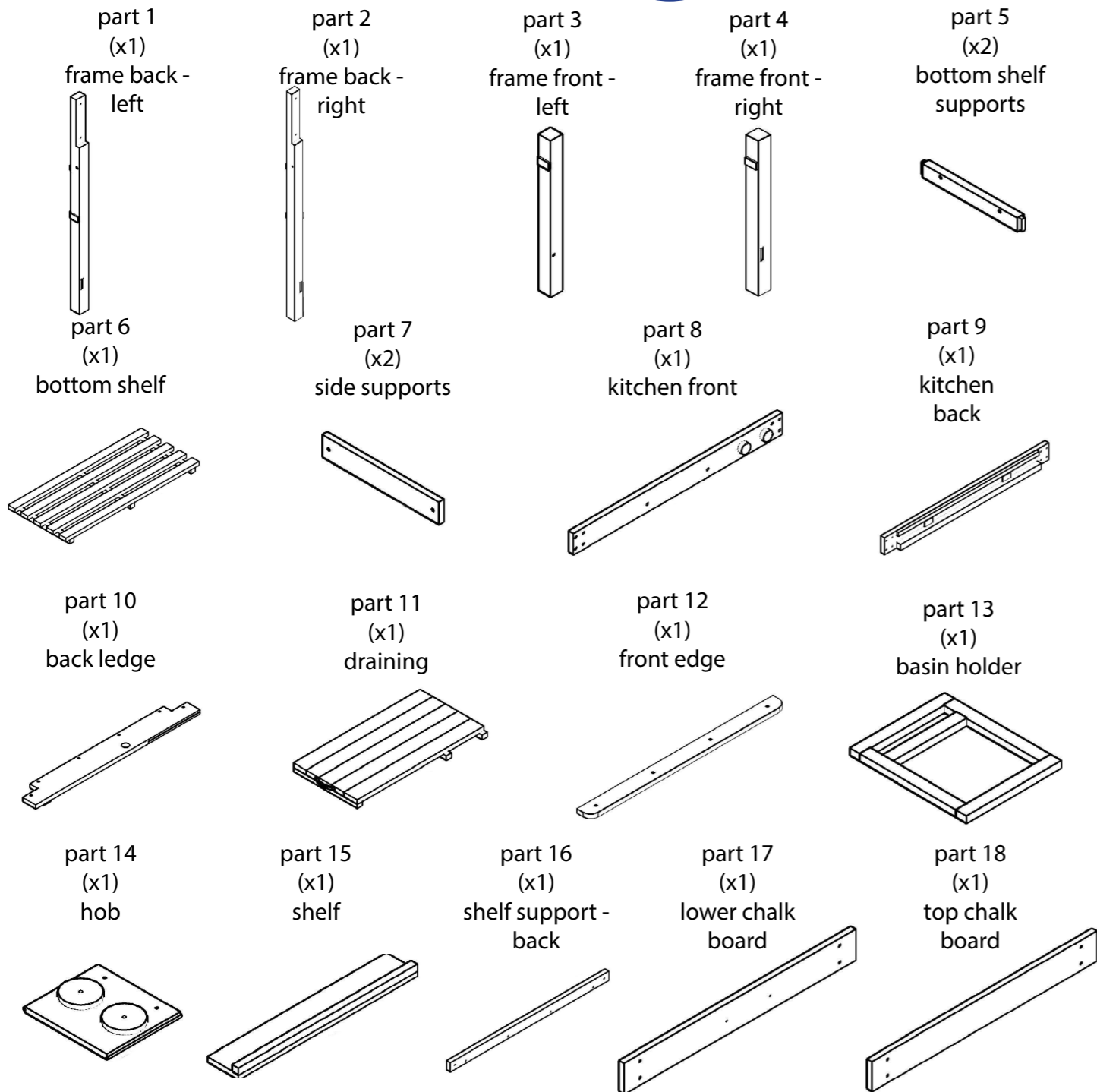
Unterteile / Liste des pièces / Lista de partes  
Elenco degli elementi / Onderdelen



screws A (x6) 3.5 x 60mm  
screws B (x54) 3.5 x 35mm  
screws C (x6) 3.5 x 18mm



Basin - D  
Water Dispenser - E  
Tap - F



part 1 (x1) frame back - left  
part 2 (x1) frame back - right  
part 3 (x1) frame front - left  
part 4 (x1) frame front - right  
part 5 (x2) bottom shelf supports  
part 6 (x1) bottom shelf  
part 7 (x2) side supports  
part 8 (x1) kitchen front  
part 9 (x1) kitchen back  
part 10 (x1) back ledge  
part 11 (x1) draining  
part 12 (x1) front edge  
part 13 (x1) basin holder  
part 14 (x1) hob  
part 15 (x1) shelf  
part 16 (x1) shelf support - back  
part 17 (x1) lower chalk board  
part 18 (x1) top chalk board

## Before Installation

### Check all parts are present!

Our factory takes every effort to make sure everything is packed in its proper place. But just in case a small part has gone astray please make sure you check every piece is present before you begin installing - right down to the screws.

### Assemble with Care

Installation should be completed by two adults. Please make sure you follow all the instructions carefully. If you have any questions during installation please do not hesitate to contact us. Please make sure you read all the safety warnings and advice in this instruction manual. Install the Mud Kitchen on a level surface and ensure it is at least 2m away from other structures and obstacles such as houses, garages, fences, branches, clothes lines or electrical wires. Never place the product on a wet or loose surface.

Your Mud Kitchen is made from heat-treated natural wood. It is also sourced from sustainable forests. The product is treated with a coat of water-based preserver, but it is **strongly recommended that you treat it with additional preserver on assembly.**

*Please follow the warnings for proper use of this Mud Kitchen and ultimately to ensure full enjoyment!*



## Remember...

We strongly recommend looking after these instructions, after all without them it will be a bit tricky to put this product together. Even though we know our customers are more intelligent than most, we still think you may find these instructions useful. *But if something unexpected were to happen, such as,*

*Your dog ate them or...*

*your children constructed a kite out of them?*

*Maybe your neighbour ran over it with their car?*

You would have nothing to fear because we have uploaded all of our instructions to our website:  
[www.biggamehunters.co.uk](http://www.biggamehunters.co.uk)

1

### Create the Frame

You will need:  
Parts 1, 2, 3, 4, and 5,  
4 x Screws 'A' (3.5 x 60mm)

Slot part 5 into parts 1 and 3.  
Slot the other part 5 into parts 2 and 4.

*\*The screw holes on parts 5 are nearest the top. The little square supports on parts 1 and 2 face outwards and there are supports on the back. The supports on parts 3 and 4 also face outwards.\**

Screw into place using four screws A.

2

### Add the Bottom Shelf

You will need:  
Parts 6

4 x Screws 'B' (3.5 x 35mm)

Lay the bottom shelf on the frame (as assembled in Step 1).  
Fix in place by screwing through the edges of the frame into the batons underneath the shelf (see image insert).

Use four screws B to do this.



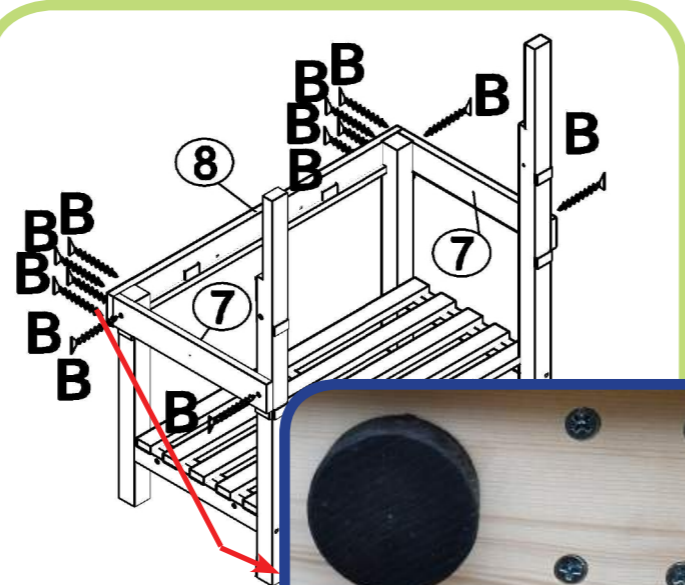
3

### Add the Top Frame

You will need:  
Parts 7 (x2), 8 (x1)  
12 x Screws 'B' (3.5 x 35mm)

Place parts 7 on top of the little wooden supports and screw into place using four screws B.

Place the front of the kitchen (with knobs at right end) - part 8 along the front and secure using eight screws B.



4

### Finish the Frame

You will need:  
Parts 9 & 13  
12 x Screws 'B' (3.5 x 35mm)

Place part 9\* along the back, on top of the little wooden supports.

*\*This must be positioned so the little raised wooden squares on part 9 are nearest the bottom.*

Slot part 13 between the little square wooden supports on either side (this is where the basin will go).

Secure parts 9 and 13 into place using twelve screws B.

5

### Complete the Top

You will need:  
Parts 10, 11, 12 and 14.  
12 x Screws 'B' (3.5 x 35mm)

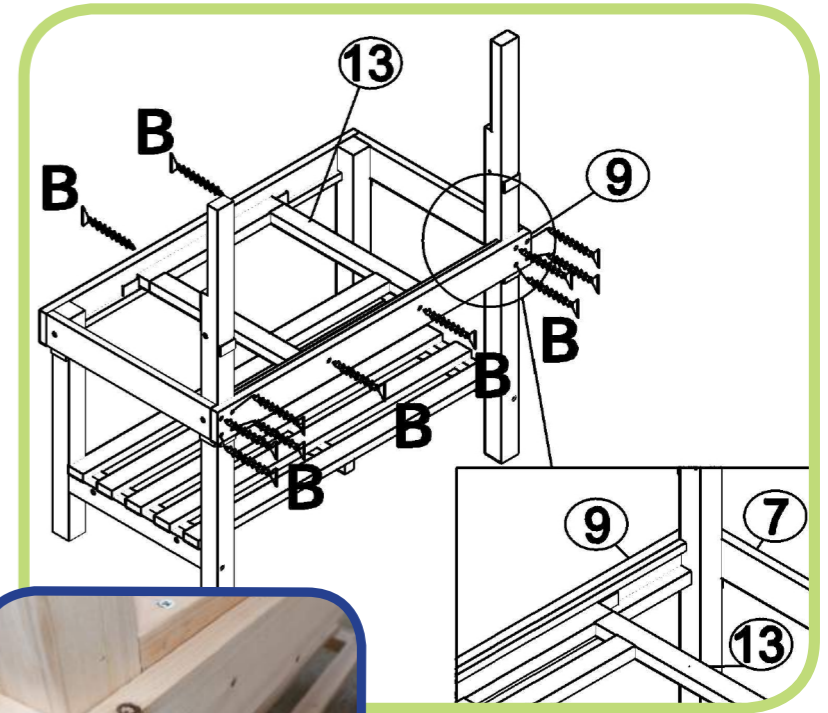
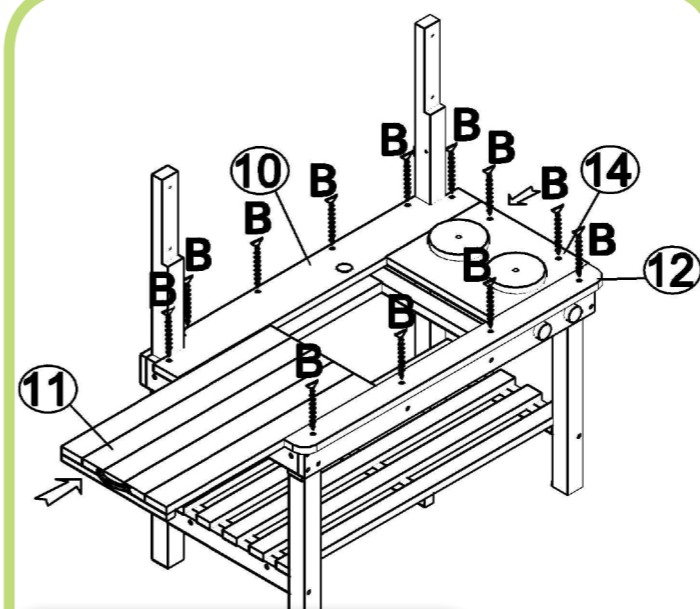
Place part 10 at the back with the large hole to the right.  
Slot part 14 (hob) into part 10.

Slide part 11 (draining board) into place.

Place part 12 at the front and screw into place using four screws B.

Secure the hob using two screws B, and secure part 10 using six screws B.

The drainer should now easily slide in and out, over the basin.

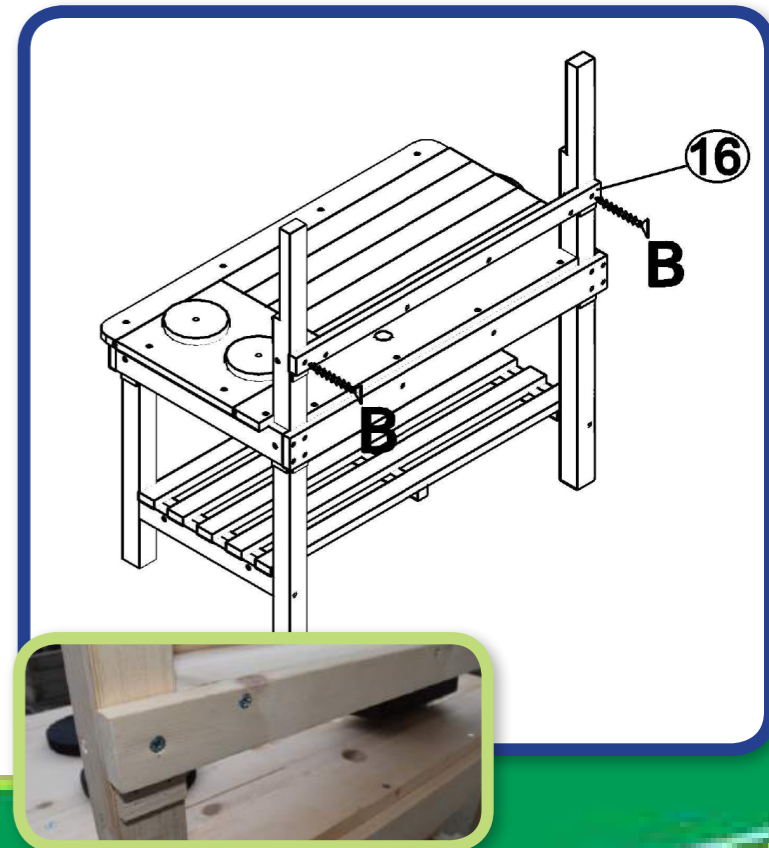


6

### Install the Shelf Support

You will need:  
Part 16 (horizontal shelf support)  
2 x Screws 'B' (3.5 x 35mm)

Place part 16 above the little wooden supports on the back and screw into place using one screw B on each end.



7

### Add the Shelf

You will need:

Part 15

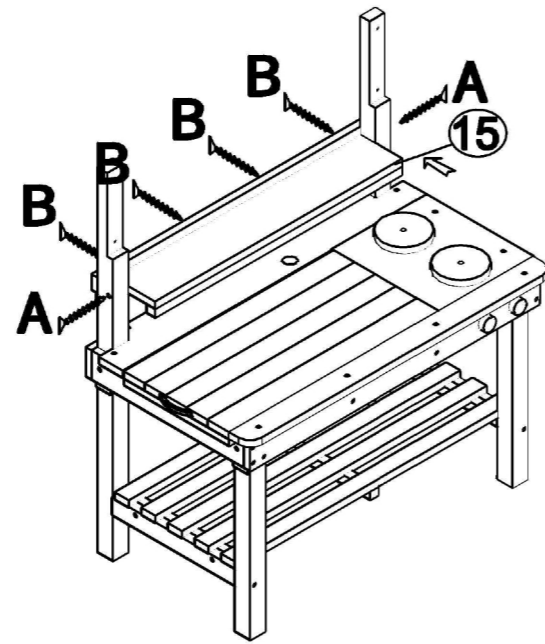
4 x Screws 'B' (3.5 x 35mm)

2 x Screws 'A' (3.5 x 60mm)

Line up part 15 with the predrilled holes in part 16. Screw through part 16 and into part 15 using four screws B.

Secure from the sides using 2 screws A.

*\*Make sure the lip on the front of the shelf is facing downwards.*



8

### Add the Chalk Boards

You will need:

Parts 17 (x1) and 18 (x1)

8 x Screws 'B' (3.5 x 35mm)

Fix the chalk board panels horizontally across the vertical supports (parts 1 & 2) using two screws B on the end of each chalk board.



9

### Complete the Kitchen - Finishing Touches

You will need:

Basin, Tap, Water Dispenser - Parts D, E & F

6 x Screws 'C' (3.5 x 18mm)

Put the basin in position as shown in the photo. Place the water dispenser in place, mark your preferred position (you will want to line the tap up with the basin) and screw in place using two screws\* C. *\*Don't screw all the way in – leave a gap to easily lift the dispenser on and off.*

This can either be attached to the shelf or on the chalkboard (where the guide holes are).

Line the tap up with the holes in the main shelf and screw into place - again make sure it lines up with the basin below, secure with four screws C.

Now make sure all the screws are tightened and your mud kitchen is situated somewhere flat, well drained and safe - following the instructions on page 2. Attach the hose or fill the dispenser with water. Then the kitchen will be ready for your little one's many muddy culinary adventures!



### Inspection & Maintenance

We recommend the following maintenance.

#### Looking After Your Mud Kitchen

Your Mud Kitchen must be treated once a year with a suitable wood preserver or child-friendly oil to keep the wood healthy and prevent water damage. Wipe the wood with a cloth to remove excess water after each use. On rare occasions, when you first erect the product in wet conditions and where it is wet or rainy for a prolonged time, then followed by a burst of sunshine, it is possible to get some mould on some panels. Please be reassured that this can be washed off with a mould cleaner or wiped down with a baking soda solution. Baking soda is a natural disinfectant and very mild, so this solution cleans mould without leaving a scent. Dissolve baking soda into a water and vinegar solution, spray onto the surface, let it sit for a little while and then wipe with a damp cloth.


#### Weekly to monthly / routine inspection


Regularly check the Mud Kitchen for splinters and any signs of wear and tear. It is important to regularly check all parts, including the supports and panels. It is important to check all screws and tighten or replace where necessary.


This inspection and maintenance should be carried out after assembly and then at least twice a month while in use and at the start of each season.


Replace defective parts in accordance with the manufacturer's instructions.


#### Warnings!


 **The mud kitchen is designed for children aged 18 months +. For indoor or outdoor use. Do not climb on the Mud Kitchen. Only for domestic use!**

 **Warnung! Die Schlammküche ist für Kinder ab 18 Monaten +. Für den Innen- oder Außenbereich. Klettern Sie nicht auf den Schlammküche. Nur für den Hausgebrauch!**

 **Attention! Cuisine de Boue est conçu pour les enfants entre 18 mois +. Pour un usage extérieur ou intérieur. Ne grimpez pas sur le Cuisine de Boue. Pour usage domestique seulement!**

 **¡Advertencia! La cocina de barro es para niños mayores de 18 meses +. Para uso interno o externo. No subas a la cocina de barro. ¡Exclusivamente para uso doméstico!**

 **Attenzione! La cucina di fango per bambini 18 mesi + Non arrampicarsi sulla cucina di fango. Per uso interno o esterno. Solo per uso domestico!**

 **Waarschuwing! Het modderkeuken is ontworpen voor kinderen 18 maanden +. Voor gebruik binnen of buiten. Klim niet op de modderkeuken. Alleen voor huishoudelijk gebruik!**

# ARE YOU a PLAY EXPERT?

Take a photo and share it with us using #littleplayexpert or #bigplayexpert and be part of our growing network of play experts! Thousands of people every day are showing us that they are truly expert at play and playing in so many different ways - are you?



42 likes

@theplayexperts Literally jumping for joy! I think we are seriously #bigplayexpert s! #nevertotoold #foreveryoung



107 likes

@theplayexperts our niece and daughter enjoying a game at a family wedding. Never too young for chess!



94 likes

loving the hi tower challenge @theplayexperts - its harder than it looks! #bigplayexpert #littleplayexpert



51 likes

The concentration on their faces! #littleplayexpert @theplayexperts

## Not Just MUD KITCHENS

You may or may not be aware that we design and make many different kinds of garden games and play equipment as well as our wooden mud kitchen range.

Big Game Hunters has been designing and creating games for children and families since 1997 - so by now we really do know what we are doing.

Here are just a few that are great for the whole family as well as just the kids...

The Parachute Game



Whacky Ranch Playhouse



Hardwood Boules



Wooden Skittles



Giant Four in a Row Games; Jumbo 4, Hardwood Big 4 & Up 4 It

### The logo to look out for...

There are many more products we have created - just look out for our Big Game Hunters logo or flower emblem to be sure you have an official product. The brand is not just a logo, it is the whole family of ideas, service and quality that are behind every product. We are not a huge corporate and do not claim to be - we are proud of who we are and what we create so look out for our brand knowing that each product carrying our logo has a special standard we aim to maintain for years and years to come...



Random Factoid Bubbles

International Mud Day was established in 2009 by school children in Australia and Nepal.

Schools in many countries organise mud play events

CE Please retain for future reference

+441865 392439  
sales@biggamehunters.co.uk  
biggamehunters.co.uk  
@theplayexperts