

Big Game
hunters



PLAYHOUSES



EverMeadow
Tower
INSTRUCTIONS

Tools Required

Benötigtes Material / Accessoires / Herramientas
Strumenti da lavoro / Benodigdheden



Two pairs of hands

Crosshead Screwdriver

Parts Included

Unterteile / Liste des pièces / Lista de partes
Elenco degli elementi / Onderdelen

screws A
5 x 70mm
(x18)



screws B
4 x 60mm
(x50)



screws C
3.5 x 45mm
(x12)



screws D
3.5 x 35mm
(x55)



screws E
6 x 40mm
(x2)

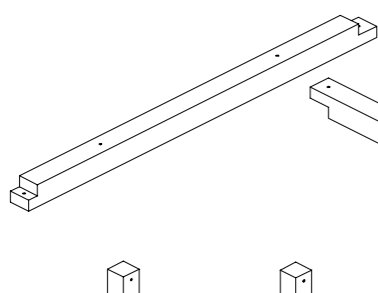


**we recommend using an electric screwdriver for ease, but a manual will work - you will just need a little more elbow grease!*

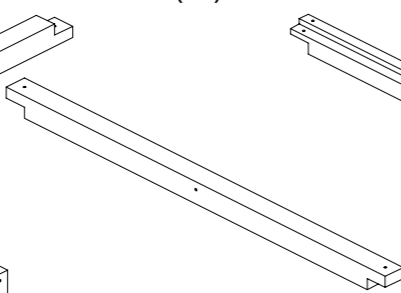
part 1
(x4)



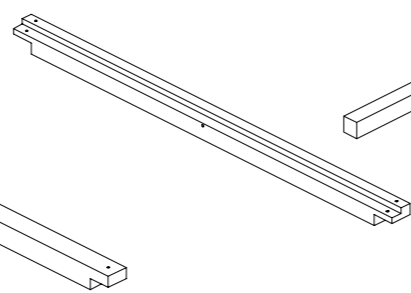
part 2
(x2)



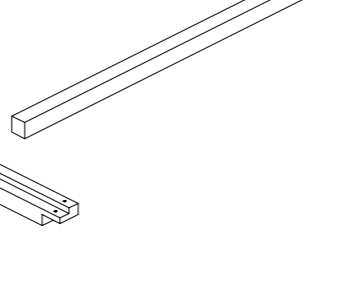
part 3
(x1)



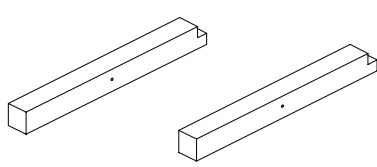
part 4
(x1)



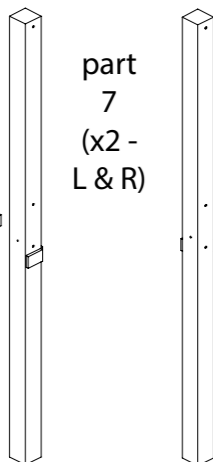
part 5
(x1)



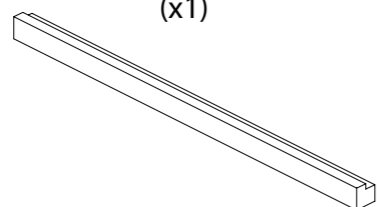
part 6
(x2 - L & R)



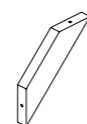
part 7
(x2 - L & R)



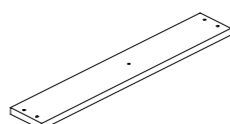
part 8
(x1)



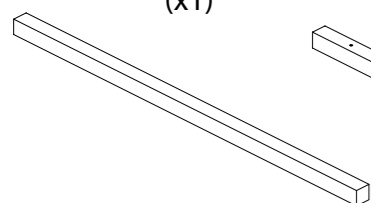
part 9
(x14)



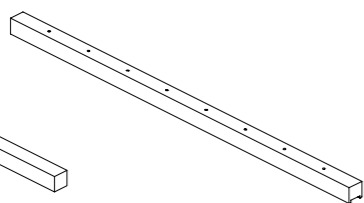
part 10
(x11)



part 11
(x1)



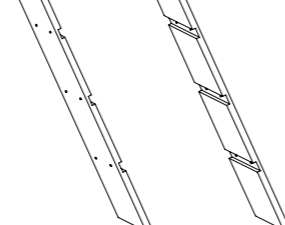
part 12
(x2)



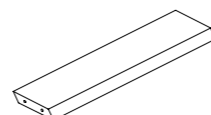
part 13
(x8)



part 14 - L & R
(x2)



part 15
(x3)



Slide Included
(colour may vary)

Before Installation

Check all parts are present!

Our factory takes every effort to make sure everything is packed in its proper place. But just in case a small part has gone astray please make sure you check every piece is present before you begin installing - right down to the screws.

Assemble with Care

Installation should be completed by two adults. Please make sure you follow all the instructions carefully. If you have any questions during installation please do not hesitate to contact us on +441865 392439 or email sales@biggamehunters.co.uk and we will be happy to advise.

Please make sure you read all the safety warnings and advice in this instruction manual.

Install the playhouse on a level surface and ensure it is at least 2m away from other structures and obstacles such as houses, garages, fences, branches or clothes lines. Never place the playhouse on a wet or loose surface.

It is recommended to secure any playhouse with a platform to the ground using ground anchors (which are available for purchase separately). This provides extra stability and safety.

Never place the playhouse on a hard surface like concrete or asphalt. A fall from a playhouse onto a hard surface like this could result in serious injury. Playhouses with a platform height of 60cm (24ins) or more must be installed onto a shock absorbing surface such as grass, play bark or sand.

If your playhouse has a slide it is advisable not to place your slide facing south as the heat from the sun could make the slide hot to the touch.

Any modifications made by the consumer must be carried out according to the manufacturer's instructions.

Please adhere to the warnings to ensure proper use of this playhouse and ultimately to ensure full enjoyment!



Remember...

We strongly recommend looking after these instructions, after all without them it will be a bit tricky to put this product together. Even though we know our customers are more intelligent than most, we still think you may find these instructions useful.
But if something unexpected were to happen, such as,

Your dog ate them or...

your children constructed a kite out of them?

Maybe your neighbour ran over it with their car?

You would have nothing to fear because we have uploaded all of our instructions to our website:
www.biggamehunters.co.uk

1

Assemble the Platform Frame

You will need:

Parts 8, 7 (x2), 6 (x2), 4, 2 (x2), 1 (x4), 3 and 5

Screws 'A' (x12)

a) Create the front support

Place part 8 horizontally between both part 7s, so it sits on top of the little wooden tiles on parts 7. Make sure each part 7 has one screw hole facing front and two facing outwards. Screw part 8 into place using one screw A on each side, using the bottom hole in part 7 for each.

Line up part 6R (Right) horizontally with part 7 so it sits on the little wooden tile on part 7. Screw part 6 in place using a screw A, through the hole at the front of part 7. Repeat this for part 6L (left) on the other side. Leave this aside while you complete the next step.

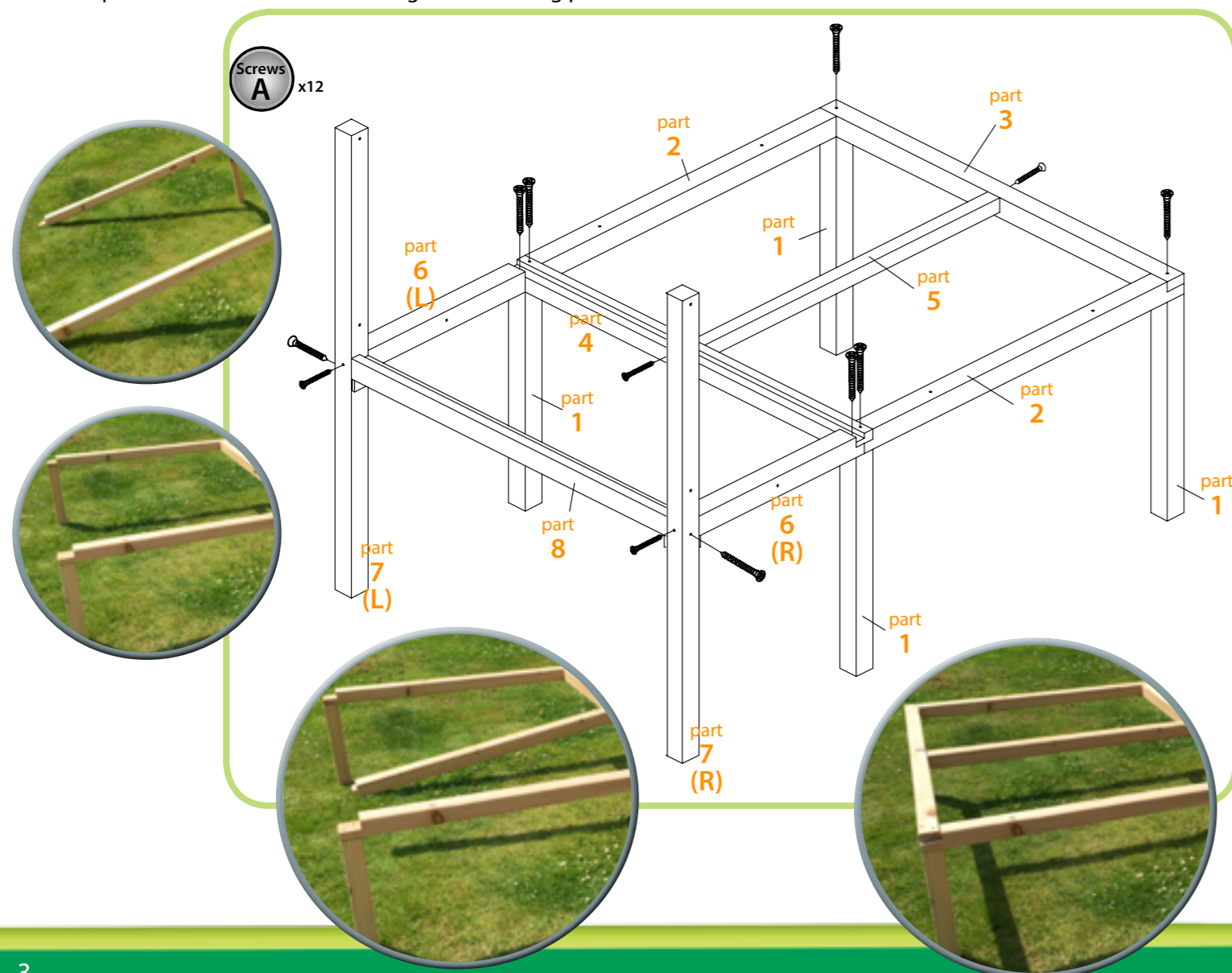
b) Create the back support

Line up a piece 1, 2 and 3 as shown, and screw in place using a screw A from the top. The screw hole in the middle of part 3 faces outwards. Repeat this for the other side using the other part 1 and 2.

c) Fix the front and back supports together

Bring the ends of part 2 and 6 together and place on top of a part 1 as shown. Now place part 4 on top, so it sits flush with the 90 degree cut-outs on parts 2 and 6. Make sure the taller section of part 4 is at the back. Use two screws A to fix all parts together.

Repeat this for the other side using the remaining part 1.



2

Add the Frame Supports

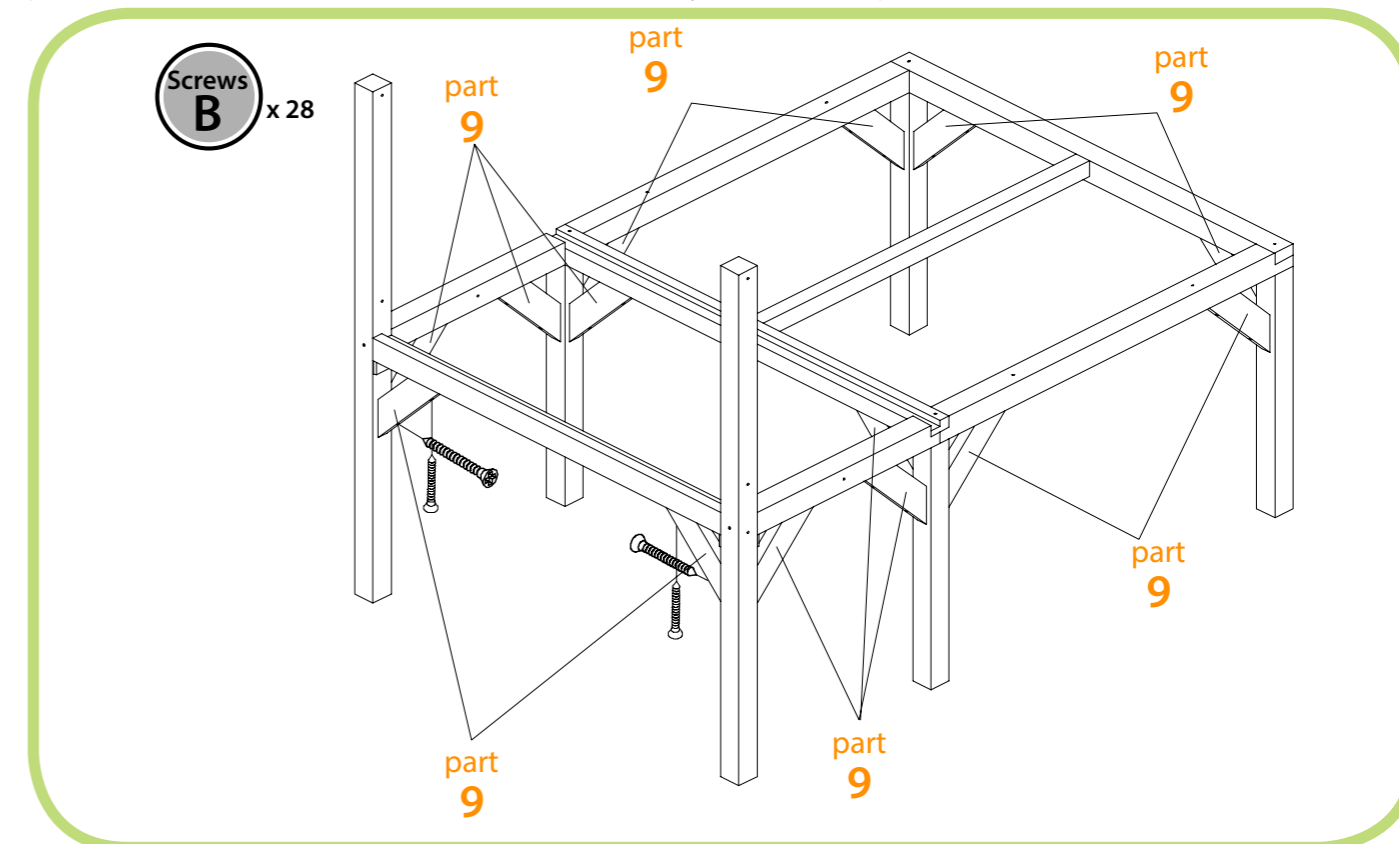
You will need:

Assembled frame from Step 1

Part 9 x 14

Screws B x 28

Place a part 9 between each upright and horizontal piece. Screw into place using two screws B on each. One screw goes up into the horizontal piece and the other sideways into the upright as shown.

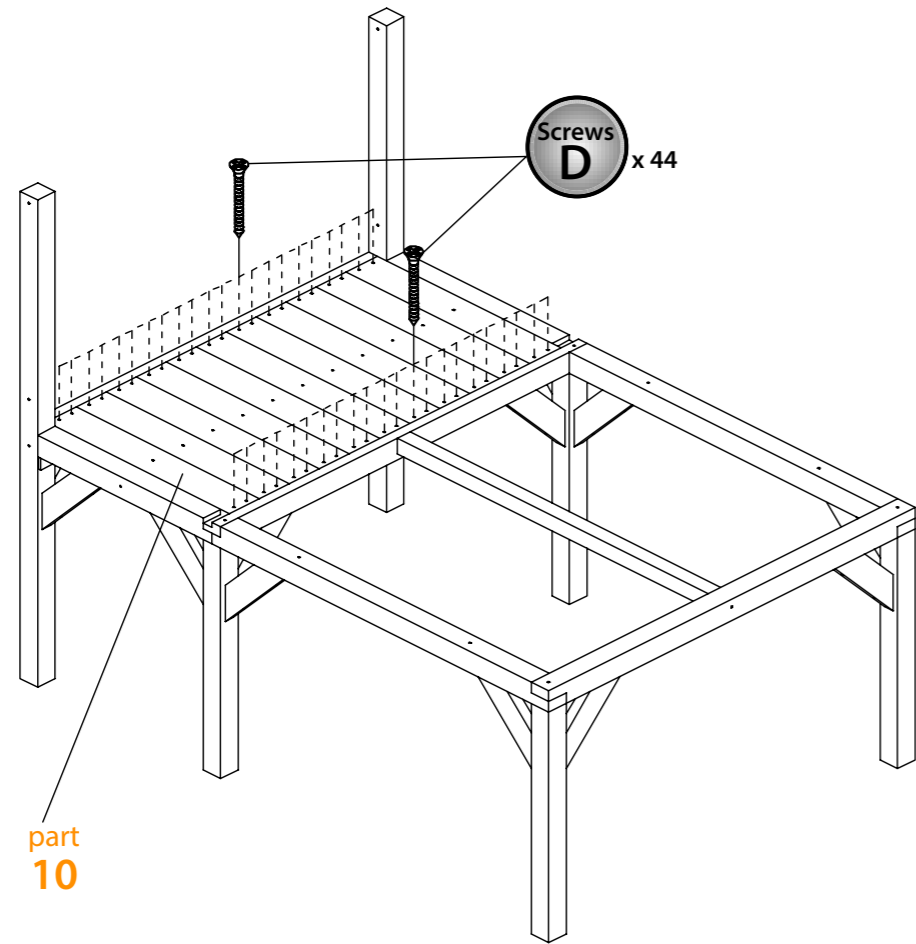


3

Create the Veranda Floor

You will need:
Assembled platform from steps 1-2
Parts 10 x 11
Screws D x 44

Place eleven parts 10 at the front to create the veranda floor. Screw into place using four screws D on each slat.



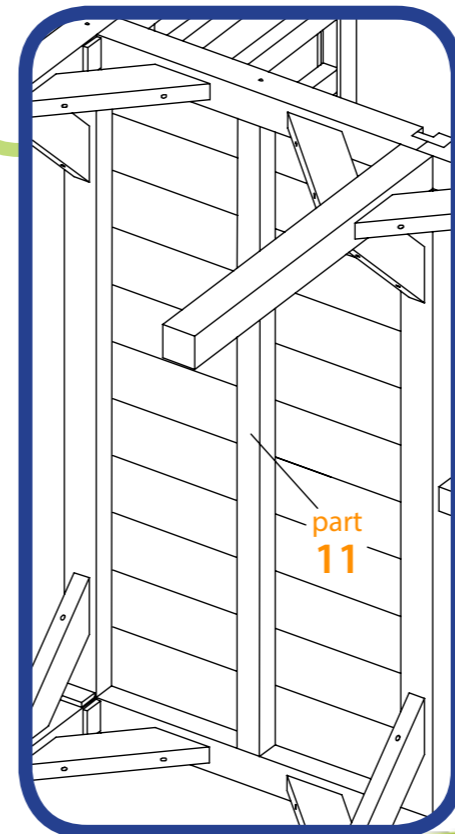
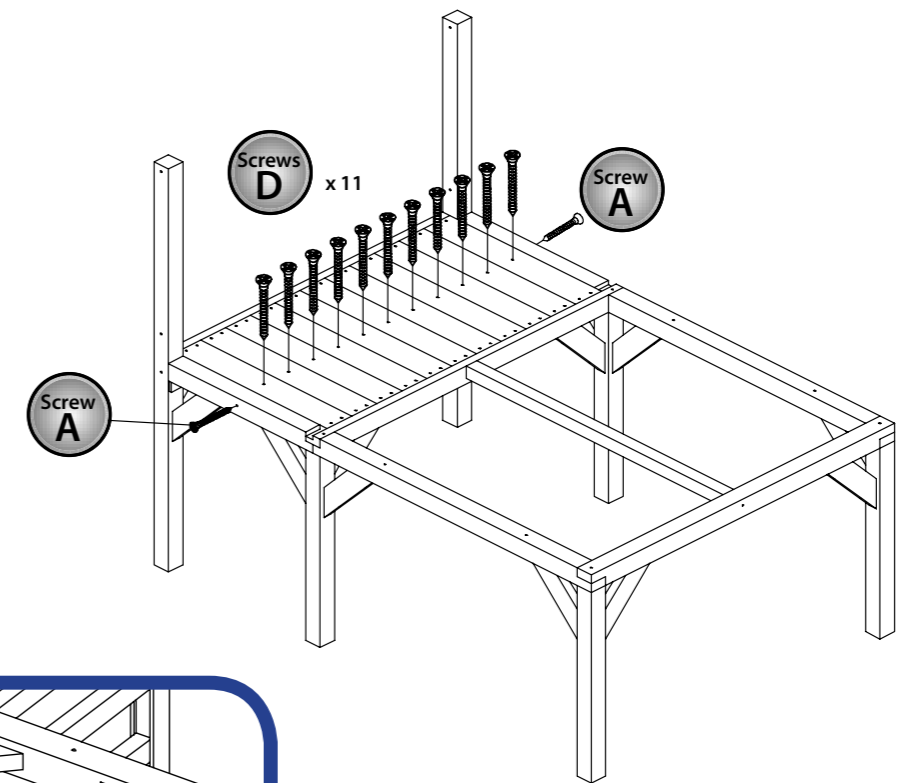
4

Complete the Veranda Floor

You will need:
Assembled frame from steps 1-3
Part 11
Screw A x 2
Screw D x 11

Place part 11 underneath the veranda floor, across the slats. Screw into place using a screw A on each end (screw from the outside, through the holes in the sides).

Use eleven screws D to fix the slats to part 11 underneath. Screw from the top through the slats as shown.



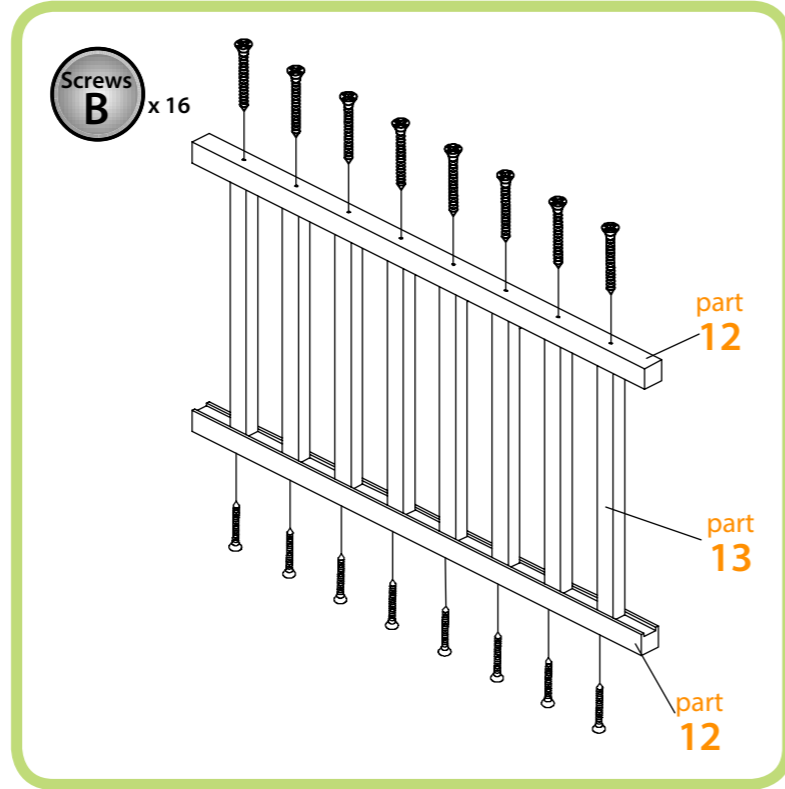
5

Build the Balustrades

You will need:

- Parts 12 x 2
- Parts 13 x 8
- Screws B x 16

Place each part 13 between two parts 12. Now screw into place using a screw B at each end, using the predrilled holes.



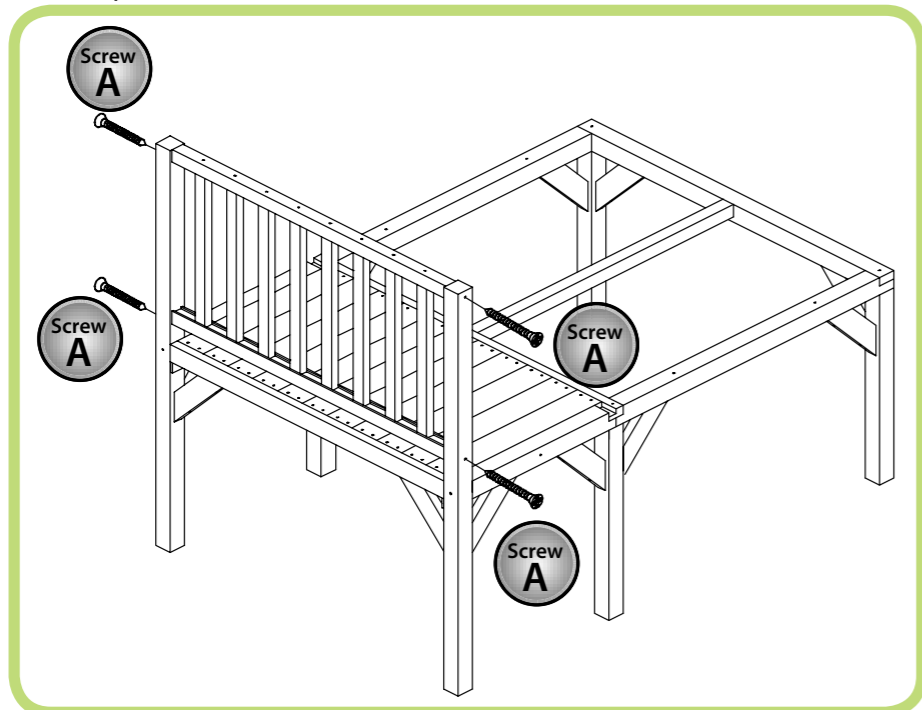
6

Add the Balustrades to the Platform

You will need:

- Assembled platform from steps 1-4
- Assembled balustrades from step 5
- Screws A x 4

Place the completed balustrades between the two front uprights. Screw into place using the holes on the uprights; a screw A at the top and bottom on each side.



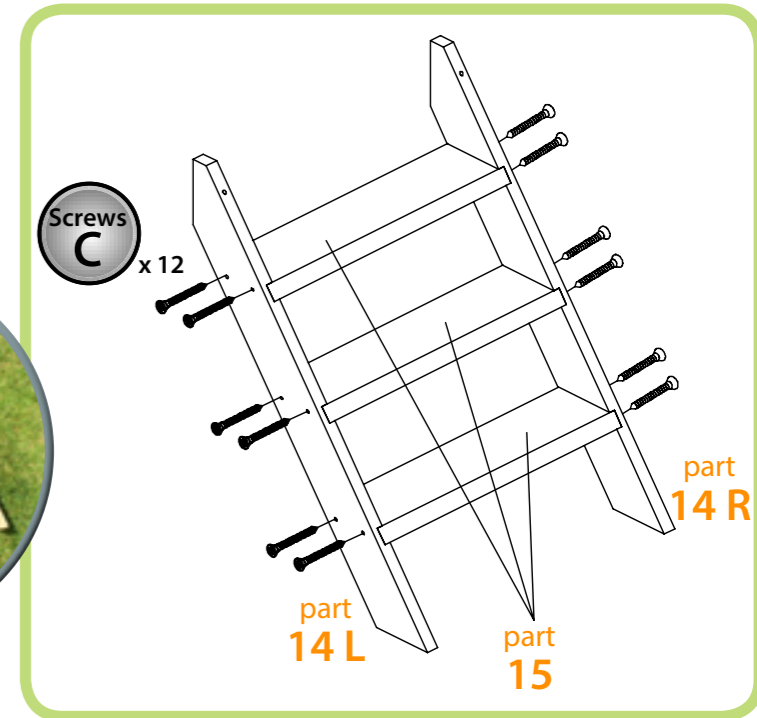
7

Create the Ladder

You will need:

- Parts 14 x 2 (L & R)
- Parts 15 x 3
- Screws C x 12

Place the three steps (part 15) between the two parts 14 (L & R). Screw into place using four screws C for each step. Screw from the outside using the holes on parts 14.



8

Add the Ladder & Slide to the Platform

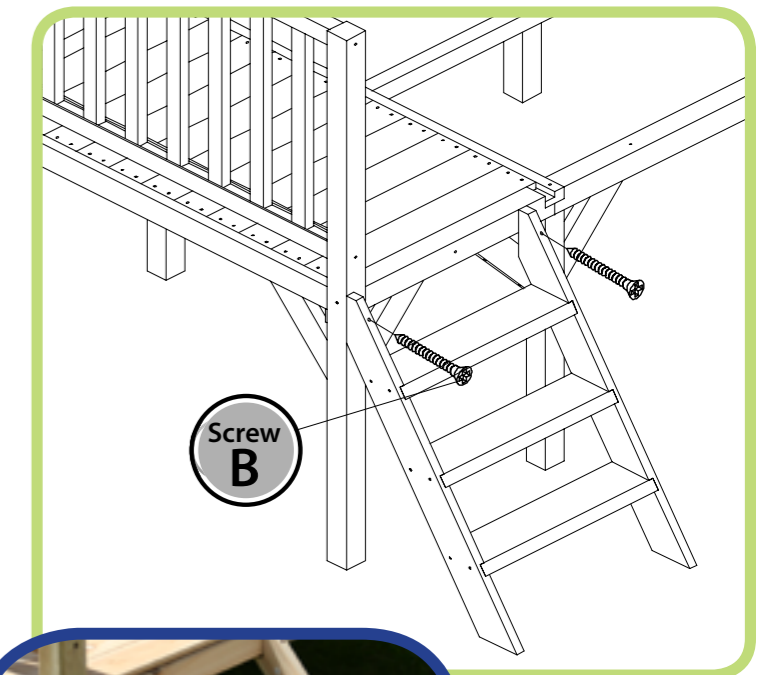
You will need:

- Assembled playhouse platform from step 1-6
- Assembled ladder from step 7
- Slide
- Screws B x 2 and Screws E x 2

Place the ladder against the side of the veranda. Line the front of the ladder up with the front upright. Secure the ladder in place using a screw B on each side.

Attach the slide to the other side of the platform using two screws E.

Please note: slide colours differ - image is just an example.



You will need:

Pre-Assembled Evermeadow Playhouse (see separate instructions)

Assembled playhouse platform from Steps 1-8

Floor (2 panels)

Screws B x 4

Lift your assembled Evermeadow House onto the platform. Lay the two floor panels inside the house. Fix the house to the platform using two screws B on each side. Screw from the underside, through the sides of the platform.



Your playhouse is now ready for your little one's many adventures...



Inspection & Maintenance

We recommend the following maintenance.



Looking After Your Playhouse

Your playhouse is made from heat-treated natural wood. It is also sourced from sustainable forests. The playhouse should be treated on assembly with a wood preserver and it is strongly recommended that you re-treat it once a year to extend the life of your playhouse. On rare occasions, when you first erect the playhouse in wet conditions and where it is wet or rainy for a prolonged time, then followed by a burst of sunshine, it is possible to get some mould on some panels. Please be reassured that this can be washed off with a mould cleaner or wiped down with a baking soda solution. Baking soda is a natural disinfectant and very mild, so this solution cleans mould without leaving a scent. Dissolve baking soda into a water and vinegar solution, spray onto the surface, let it sit for a little while and then wipe with a damp cloth.


Weekly to monthly / routine inspection


Regularly check the playhouse for splinters and any signs of wear and tear. It is important to regularly check all parts, including the crossbeams, supports and panels. **If regular checks on the playhouse are not carried out, the unit could overturn or otherwise become a hazard.** It is important to check all screws and tighten or replace where necessary. The following inspection and maintenance should be carried out after assembly and then at least twice a month while in use *and* at the start of each season;


- check all nuts and bolts for tightness and tighten when required;
- replace defective parts in accordance with the manufacturer's instructions.





Warnings!


 **The playhouse is designed for children between 18 months - 12 years old only. The playhouses are designed for use by two children with a combined weight of 100 kg. Do not climb or play on the roof of the playhouse. For domestic use only! Designed for outdoor use only!**

 **Warnung! Das Spielhaus ist nur für Kinder zwischen 18 Monaten - 12 Jahren geeignet. Die Spielhäuser sind für zwei Kinder mit einem Gesamtgewicht von 100 kg ausgelegt. Klettern oder spielen Sie nicht auf dem Dach des Spielhauses. Nur für den Hausgebrauch! Nur für den Außenbereich geeignet!**

 **Attention! Le théâtre est conçu pour les enfants entre 18 mois -12 ans seulement. Les playhouses sont conçus pour être utilisés par deux enfants avec un poids combiné de 100kgs. Ne grimpez pas et ne jouez pas sur le toit de la salle de spectacle. Pour usage domestique seulement! Conçu pour une utilisation en extérieur seulement!**

 **¡Advertencia! La casa de juegos está diseñada para niños de entre 18 meses -12 años solamente. Los teatros están diseñados para ser utilizados por dos niños con un peso combinado de 100 kg. No trepe ni juegue en el techo de la casa de juegos. ¡Exclusivamente para uso doméstico! Diseñado solo para uso al aire libre!**

 **Attenzione! La casetta è progettata per bambini tra i 18 mesi -12 anni. Le casette sono progettate per essere utilizzate da due bambini con un peso combinato di 100 kg. Non salire o giocare sul tetto della casetta. Solo per uso domestico! Progettato solo per uso esterno!**

 **Waarschuwing! Het speelhuis is ontworpen voor kinderen tussen 18 maanden - 12 jaar oud. De speelhuizen zijn ontworpen voor gebruik door twee kinderen met een gecombineerd gewicht van 100 kg. Klim of speel niet op het dak van het speelhuisje. Alleen voor huishoudelijk gebruik! Alleen ontworpen voor gebruik buitenshuis!**

ARE YOU a PLAY EXPERT?

Take a photo and share it with us using #littleplayexpert or #bigplayexpert and be part of our growing network of play experts! Thousands of people every day are showing us that they are truly expert at play and playing in so many different ways - are you?



42 likes

@theplayexperts Literally jumping for joy! I think we are seriously #bigplayexpert s! #nevertooold #foreveryoung



107 likes

@theplayexperts our niece and daughter enjoying a game at a family wedding. Never too young for chess!



94 likes

loving the hi tower challenge @theplayexperts - its harder than it looks! #bigplayexpert #littleplayexpert



51 likes

The concentration on their faces! #littleplayexpert @theplayexperts

Not Just PLAYHOUSES...

You may or may not be aware that we design and make many different kinds of garden games and play equipment.

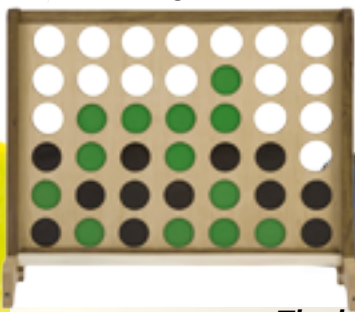
Big Game Hunters has been designing and creating games for children and families since 1997 - so by now we really do know what we are doing.

Here are just a few that are great for the whole family as well as just the kids...

The Parachute Game



Giant Four in a Row Games; Hardwood Big 4 & Jumbo 4



Hardwood Boules



Wooden Skittles



Up 4 It

The logo to look out for...

There are many more products we have created - just look out for our Big Game Hunters logo or flower emblem to be sure you have an official product. The brand is not just a logo, it is the whole family of ideas, service and quality that are behind every product. We are not a huge corporate and do not claim to be - we are proud of who we are and what we create so look out for our brand knowing that each product carrying our logo has a special standard we aim to maintain for years and years to come...



Random Factoid Bubbles

Wooden Playhouses are sometimes called 'Wendy Houses'. This is because in the play 'Peter Pan' by J. M. Barrie, Peter (the boy who never grew up) built a

small house around Wendy when she was shot in Neverland.



Please retain for future reference

+441865 392439
sales@biggamehunters.co.uk
biggamehunters.co.uk
@theplayexperts

