

Big Game
hunters



PLAYHOUSES



EverMeadow PlayHOUSE
INSTRUCTIONS

Tools Required

Benötigtes Material / Accessoires / Herramientas
Strumenti da lavoro / Benodigdheden

Adult Assembly Required

Parts Included

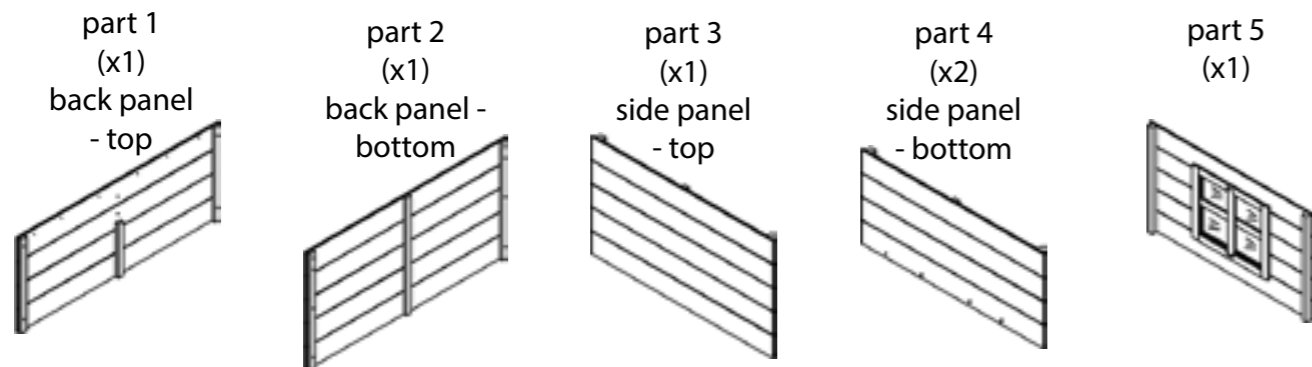
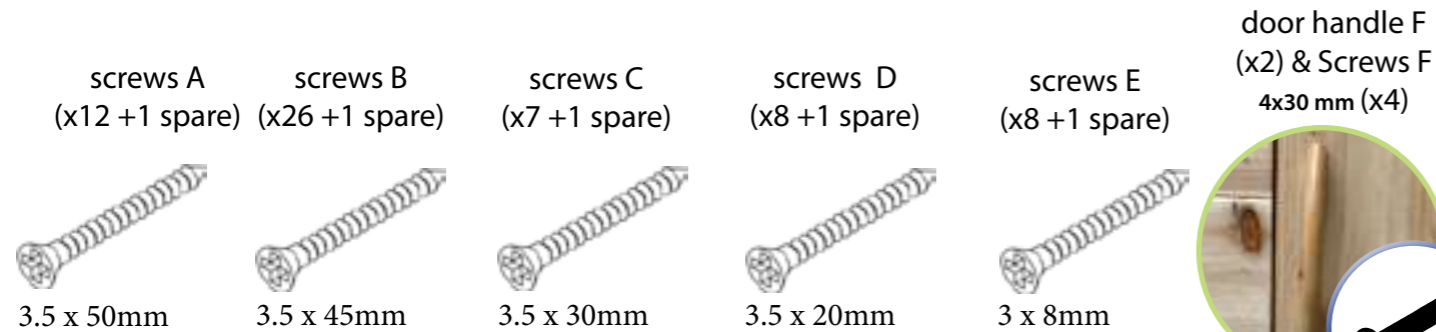
Unterteile / Liste des pièces / Lista de partes
Elenco degli elementi / Onderdelen



Two pairs of hands

Crosshead Screwdriver

**we recommend using an electric screwdriver for ease, but a manual will work - you will just need a little more elbow grease!*



part 6 (x1) part 7 (x1) part 8 (x1) part 9 (x1) part 10 (x1)



part 11 (x1) part 12 (x2) part 13 (x1) part 14 (x2) part 15 (x2) part 16 (x1)



Before Installation

Check all parts are present!

Our factory takes every effort to make sure everything is packed in its proper place. But just in case a small part has gone astray please make sure you check every piece is present before you begin installing - right down to the screws.

Assemble with Care

Installation should be completed by two adults. Please make sure you follow all the instructions carefully. If you have any questions during installation please do not hesitate to contact us.

Please make sure you read all the safety warnings and advice in this instruction manual.

Install the playhouse on a level surface and ensure it is at least 2m away from other structures and obstacles such as houses, garages, fences, branches, clothes lines or electrical wires. Never place the playhouse on a wet or loose surface. Never place the playhouse on a hard surface like concrete or asphalt. A fall from a playhouse onto a hard surface like this could result in serious injury. Any modifications made by the consumer must be carried out according to the manufacturer's instructions.

Please follow the warnings to ensure proper use of this playhouse and ultimately to ensure full enjoyment!



Remember...

We strongly recommend looking after these instructions, after all without them it will be a bit tricky to put this product together. Even though we know our customers are more intelligent than most, we still think you may find these instructions useful.

But if something unexpected were to happen, such as,

Your dog ate them or...

your children constructed a kite out of them?

Maybe your neighbour ran over it with their car?

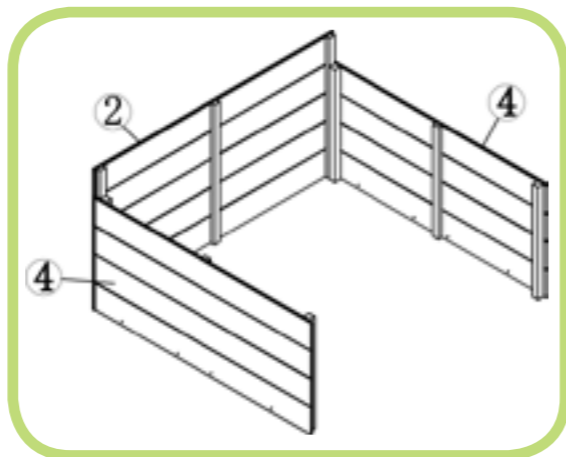
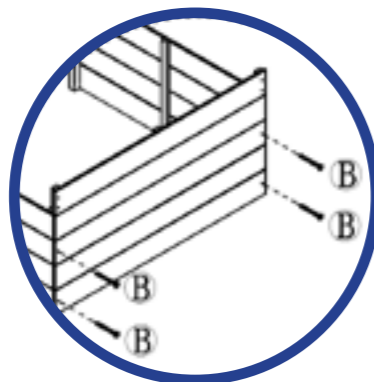
You would have nothing to fear because we have uploaded all of our instructions to our website:
www.biggamehunters.co.uk

1**Build Bottom Frame**

You will need:
Part 2 & 4 (2 x)
4 x screws B (3.5 x 45mm)

Fix both side panels (parts 4) to the back panel (part 2) using four screws B as shown in the diagram.

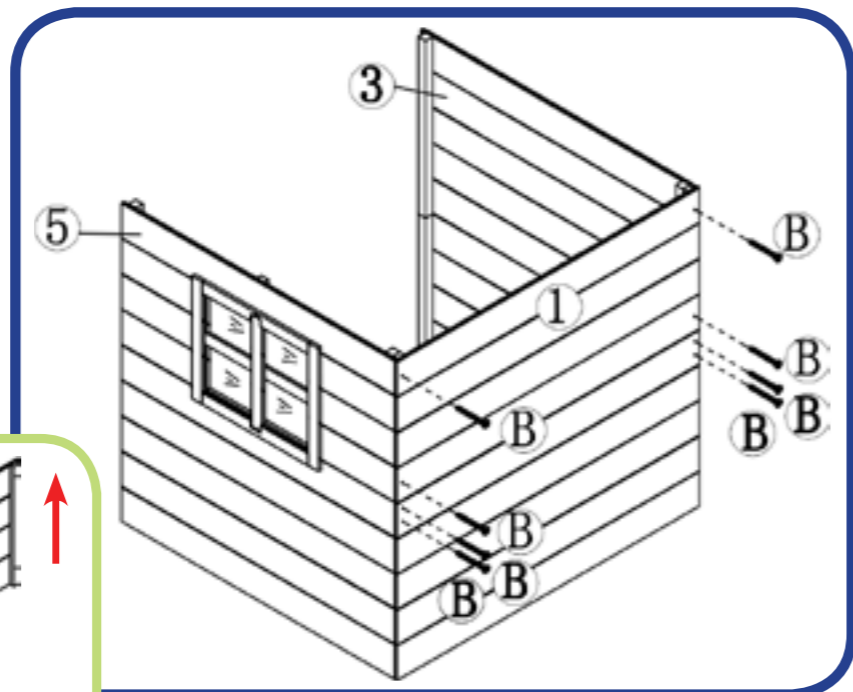
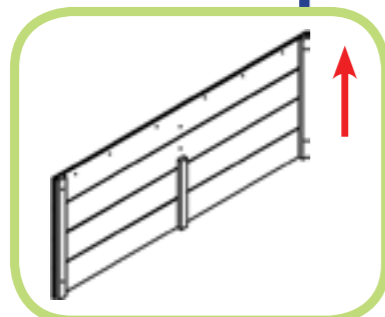
Make sure the long horizontal rows of pre drilled holes are at the bottom of the panels.

**2****Build Top Frame**

You will need:
Parts 1, 3 & 5
8 x screws B (3.5 x 45mm)

Now take part 3 and slot it onto the right bottom panel (part 4). At the same time slot part 1 onto the back panel (part 2) and screw it into part 3 from the outside of the playhouse using four screws B. Repeat this step by screwing the left side of part 1 into the left panel (part 5) using four screws B.

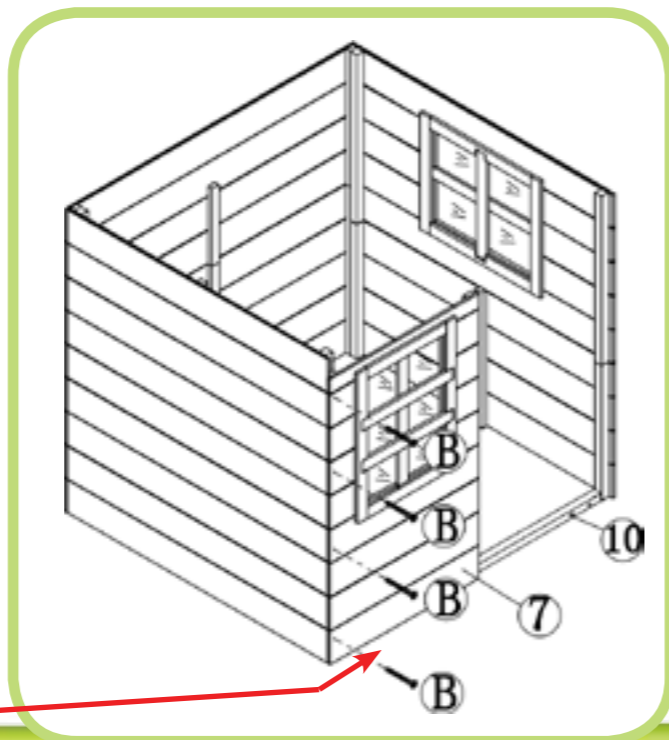
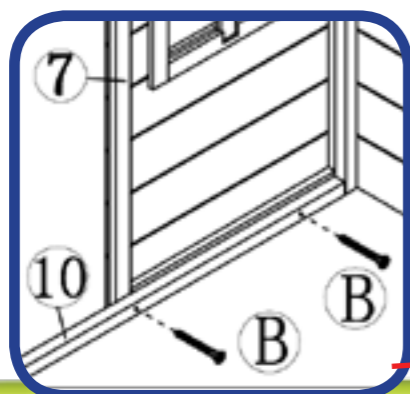
Ensure part 1 is the right way up as shown in the diagram below.

**3****Attach Window Panel**

You will need:
Parts 7 & 10
6 x screws B (3.5 x 45mm)

Attach the window panel (part 7) to the frame using four screws B. Then screw part 10 into part 7 from the inside of the playhouse using two screws B as shown in the smaller diagram here:

Please ensure part 10 is attached from inside the house (screws on the inside).

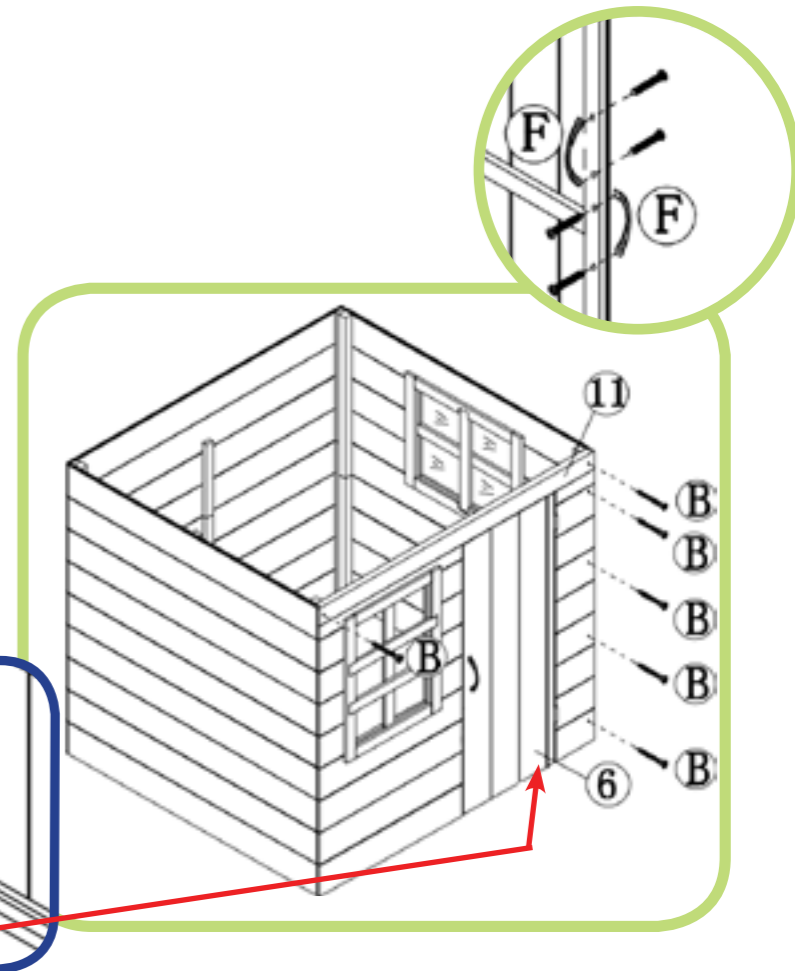
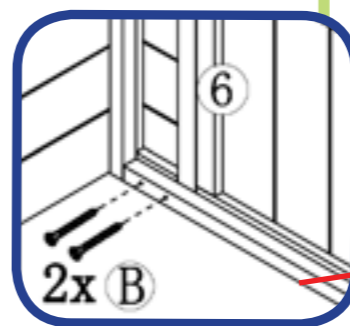
**4****Attach Door Panel**

You will need:
Parts 6 & 11
8 x screws B (3.5 x 45mm)
2 x Handles F & 4 x Screws F (4 x 20mm)

Attach the front door panel (part 6) to the frame from the outside using four screws B. Using another two screws B fix the bottom of the front door panel to part 10 from the inside as illustrated.

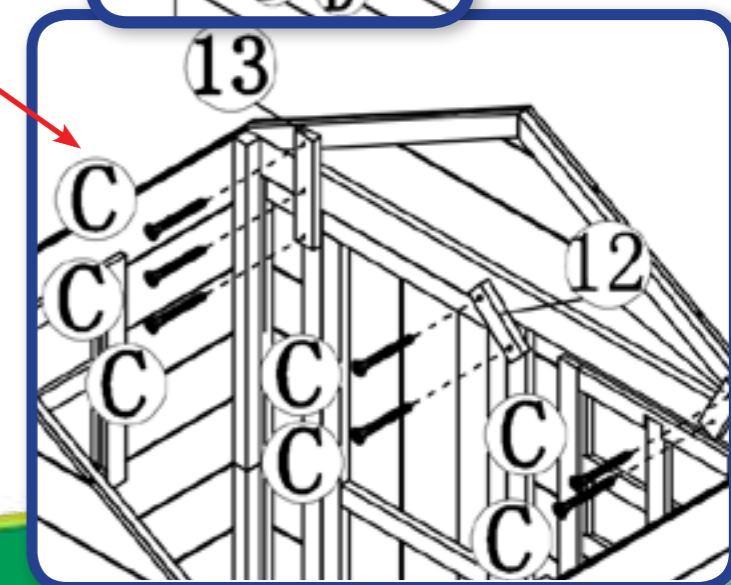
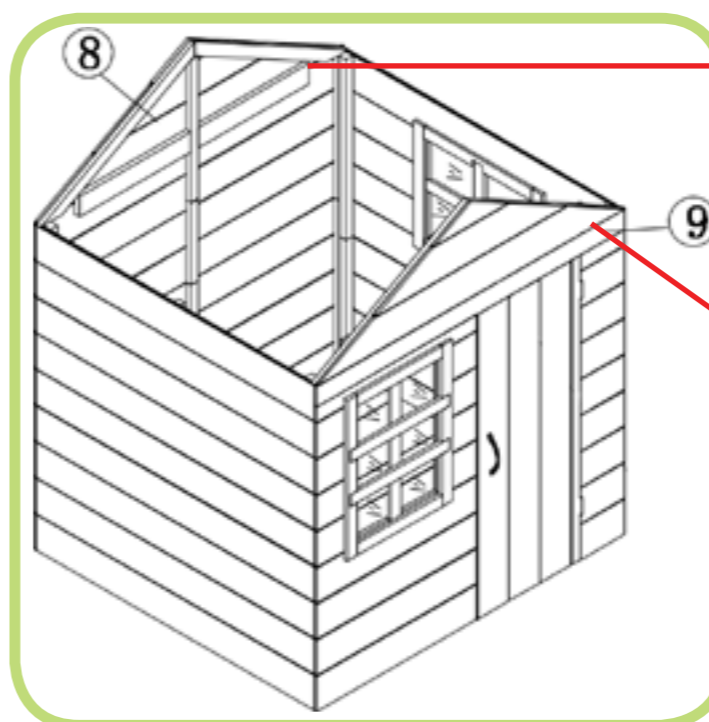
Next, fix part 11 to both front panels from the outside, using one screw B on each end.

Finally put the two handles on (parts F) either side of the door panel using 4 x screws 'F' (4 x 20mm).

**5****Add Triangular Roof Panels**

You will need:
Parts 8, 9, 12 (x2) & 13
7 x screws C (3.5 x 30mm)
8 screws D (3.5 x 20mm)

Secure the front triangular panel from the inside using two parts 12, one part 13 and seven screws C as shown in the diagram below. Secure the back triangular panel from the outside using eight screws D.

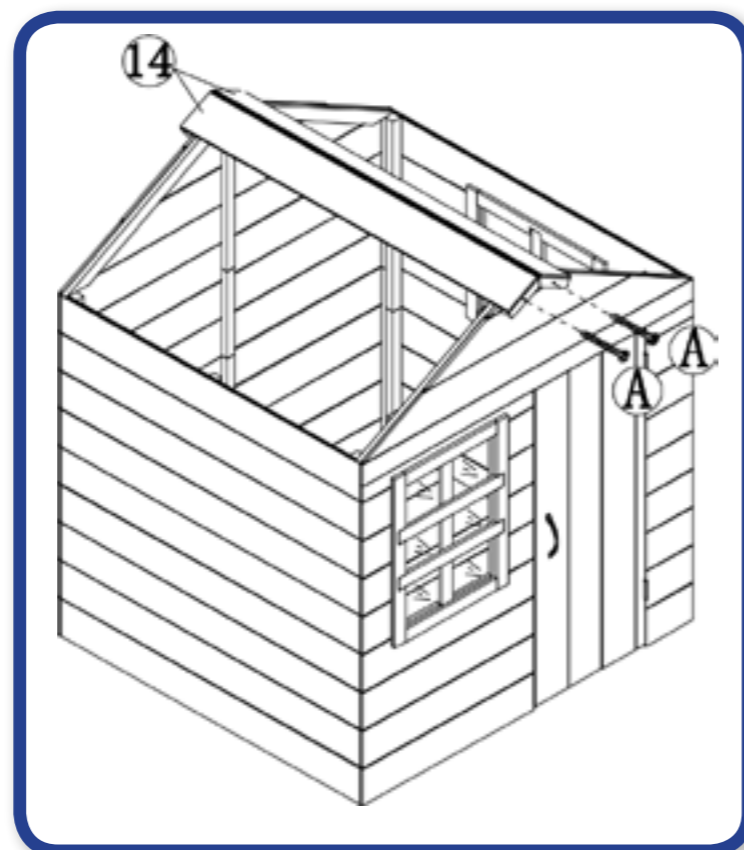
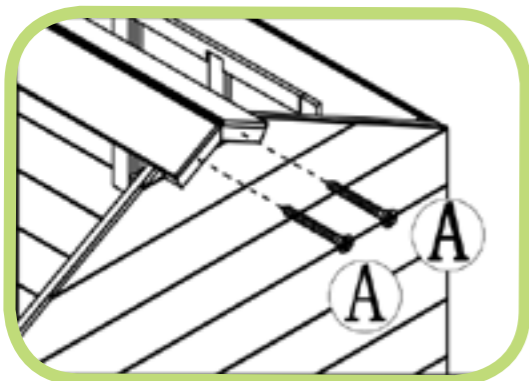


Install Roof Supports

You will need:

Parts 14 (x2)
4 x screws A (3.5 x 50mm)

Place the roof supports (parts 14) on top of the triangular panels and secure using two screws A on each end.



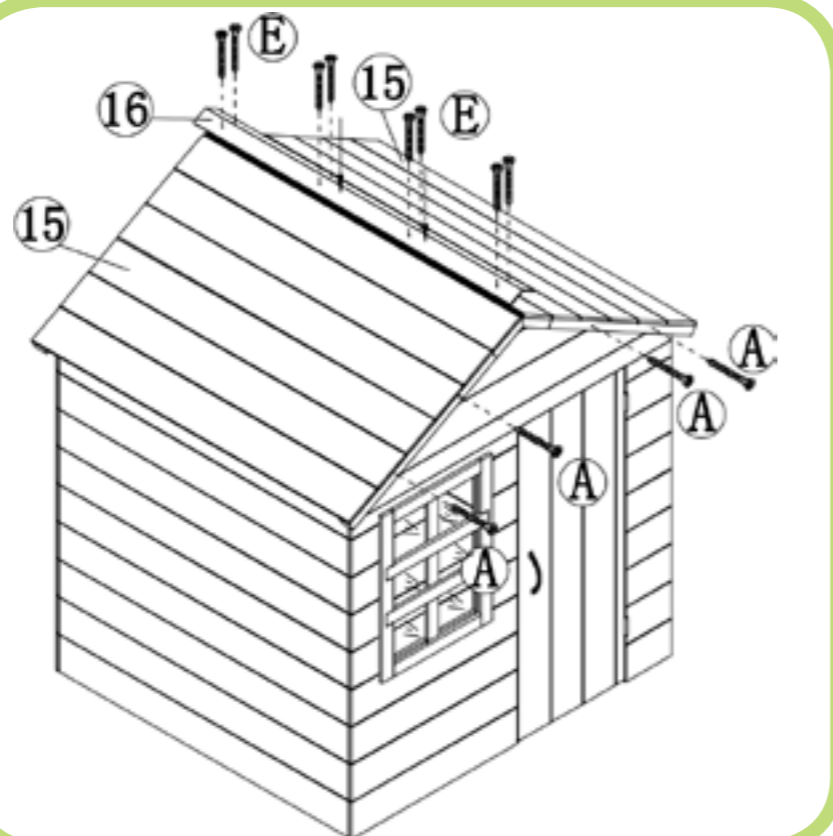
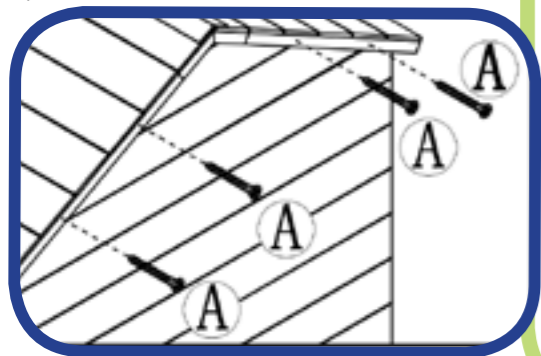
Install Roof Panels & Ridge

You will need:

Parts 15 (x2) & 16
8 x screws A (3.5 x 50mm)
6 x screws E (3 x 8mm)

Attach the roof panels (parts 15) to the triangular panels using four screws A on each side.

Finally screw part 16 (the roof ridge) into the roof panels using six screws E.



Now make sure all the screws are tightened and your playhouse is situated somewhere stable and safe - following the instructions on page 2. Then the playhouse will be ready for your little one's many adventures!

Inspection & Maintenance

We recommend the following maintenance.



Looking After Your Playhouse

Your playhouse is made from heat-treated natural wood. It is also sourced from sustainable forests. The playhouse should be treated on assembly with a wood preserver and it is strongly recommended that you re-treat it once a year to extend the life of your playhouse. On rare occasions, when you first erect the playhouse in wet conditions and where it is wet or rainy for a prolonged time, then followed by a burst of sunshine, it is possible to get some mould on some panels. Please be reassured that this can be washed off with a mould cleaner or wiped down with a baking soda solution.

Baking soda is a natural disinfectant and very mild, so this solution cleans mould without leaving a scent. Dissolve baking soda into a water and vinegar solution, spray onto the surface, let it sit for a little while and then wipe with a damp cloth.

Weekly/Monthly:

At the beginning of each play season, and once a month during the play season;

Lubricate all metallic moving parts per manufacturer's instructions. Regularly check the playhouse for splinters and any signs of wear and tear. It is important to regularly check all parts, including the crossbeams, supports and panels. **If regular checks on the playhouse are not carried out, the unit could overturn or otherwise become a hazard.** It is important to check all screws and tighten or replace where necessary.

Bi-Monthly:

After assembly, at the beginning of each play season and twice a month during the play season;

- Check all nuts and bolts for tightness and tighten when required
- Replace defective parts in accordance with the manufacturer's instructions
- Check metal parts for rust. If found, sand and repaint using a non lead-based paint meeting the requirements of 16 CFR 1303.
- Check all wood parts for deterioration and splinters. Sand down splinters and replace deteriorating wood parts.

Owners shall be responsible for maintaining the legibility of the warning labels

Disposal Instructions

Disassemble and dispose of the equipment in such a way that no unreasonable hazards will exist at the time the equipment is discarded.


⚠ WARNINGS!


Observing the following statements and all warnings included in these instructions reduces the likelihood of serious or fatal injury.


Children must not use the equipment until properly installed. A fall from a playhouse onto a hard surface like concrete or asphalt can result in serious injury or death to the equipment user. On site adult supervision for children of all ages is recommended. Instruct children not to walk close to, in front of, behind, or between moving items. Instruct children not to use the equipment in a manner other than intended.


Do not allow children to wear inappropriate items, such as but not limited to, loose fitting clothing, hood and neck drawstrings, scarves, cord-connected items, capes and ponchos. These items can cause death by strangulation. Instruct children not to attach items to the playground equipment that are not specifically designed for use with the equipment, such as, but not limited to, jump ropes, clotheslines, pet leashes, cables and chains as they may cause a strangulation hazard.


Instruct children to remove their bike or other sports helmet before playing on the equipment. Dress children with wellfitting and full foot enclosing footwear. Examples of inappropriate footwear are clogs, flip flops, and sandals.

 The playhouse is designed for children between 18 months - 10 years old only. The playhouses are designed for use by two children with a combined weight of 100 kg. Do not climb or play on the roof of the playhouse. Only for domestic use! Designed for outdoor use only!

 **Warnung!** Das Spielhaus ist nur für Kinder zwischen 18 Monaten - 10 Jahren geeignet. Die Spielhäuser sind für zwei Kinder mit einem Gesamtgewicht von 100 kg ausgelegt. Klettern oder spielen Sie nicht auf dem Dach des Spielhauses. Nur für den Hausgebrauch! Nur für den Außenbereich geeignet!

 **Attention!** Le théâtre est conçu pour les enfants entre 18 mois - 10 ans seulement. Les playhouses sont conçus pour être utilisés par deux enfants avec un poids combiné de 100kg. Ne grimpez pas et ne jouez pas sur le toit de la salle de spectacle. Pour usage domestique seulement! Conçu pour une utilisation en extérieur seulement!

 **¡Advertencia!** La casa de juegos está diseñada para niños de entre 18 meses - 10 años solamente. Los teatros están diseñados para ser utilizados por dos niños con un peso combinado de 100 kg. No trepe ni juegue en el techo de la casa de juegos. ¡Exclusivamente para uso doméstico! Diseñado solo para uso al aire libre!

 **Attenzione!** La casetta è progettata per bambini tra i 18 mesi - 10 anni. Le casette sono progettate per essere utilizzate da due bambini con un peso combinato di 100 kg. Non salire o giocare sul tetto della casetta. Solo per uso domestico! Progettato solo per uso esterno!

 **Waarschuwing!** Het speelhuis is ontworpen voor kinderen tussen 18 maanden - 10 jaar oud. De speelhuizen zijn ontworpen voor gebruik door twee kinderen met een gecombineerd gewicht van 100 kg. Klim of speel niet op het dak van het speelhuisje. Alleen voor huishoudelijk gebruik! Alleen ontworpen voor gebruik buitenshuis!

ARE YOU a PLAY EXPERT?

Take a photo and share it with us using **#littleplayexpert** or **#bigplayexpert** and be part of our growing network of play experts! Thousands of people every day are showing us that they are truly expert at play and playing in so many different ways - are you?



42 likes

@theplayexperts Literally jumping for joy! I think we are seriously #bigplayexpert s! #nevertooold #foreveryoung



107 likes

@theplayexperts our niece and daughter enjoying a game at a family wedding. Never too young for chess!



94 likes

loving the hi tower challenge @theplayexperts - its harder than it looks! #bigplayexpert #littleplayexpert



51 likes

The concentration on their faces! #littleplayexpert @theplayexperts

Not Just PLAYHOUSES...

You may or may not be aware that we design and make many different kinds of garden games and play equipment as well as our wooden playhouse range. Big Game Hunters has been designing and creating games for children and families since 1997 - so by now we really do know what we are doing. Here are just a few that are great for the whole family as well as just the kids...

The Parachute Game



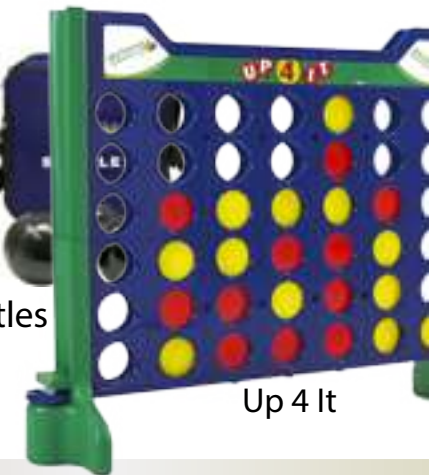
Mega Hi-Tower



Hardwood Boules



Wooden Skittles



Up 4 It

The logo to look out for...

There are many more products we have created - just look out for our Big Game Hunters logo or flower emblem to be sure you have an official product. The brand is not just a logo, it is the whole family of ideas, service and quality that are behind every product. We are not a huge corporate and do not claim to be - we are proud of who we are and what we create so look out for our brand knowing that each product carrying our logo has a special standard we aim to maintain for years and years to come...



Random Factoid Bubbles

Wooden Playhouses are sometimes called 'Wendy Houses'. This is because in the play 'Peter Pan' by J. M. Barrie, Peter (the boy who never grew up) built a

small house around Wendy when she was shot in Neverland.



Please save this instruction and information sheet in the event that the manufacturer or distributor has to be contacted.

+441865 392439
 sales@biggamehunters.co.uk
 biggamehunters.co.uk
 @theplayexperts

Garden Games Limited
 Chadwick Farm • Garford
 Oxfordshire • OX13 5PD • England

North American Distributer:
 DOM Sports • 957 Roselawn Avenue • Toronto • Ontario • M6B 1B6
 416-781-2338 orders@domsports.com mygiantgames.com

