

Not just Basketball & Netball...

You may or may not be aware that Bee-Ball is exclusive to the retailer Big Game Hunters who not only have a huge range of high quality basketball and netball equipment but are also owners of the UK's leading sports ball retailer.

Sports Ball Shop

Part of the Big Game Hunters group

Big Game Hunters' Sports Ball Shop sells a wide range of balls and sports training equipment including netballs. To browse their range go to sportsballshop.co.uk.

Alongside a wide range of basketball and sports equipment Big Game Hunters also manufacture and sell a wide range of other outdoor toys, games and play equipment. Having been in the game since the year 1998 as a retailer we have a lot of experience and expertise in this area.

Some of our other products include...



The logo to look out for...

There are many more products we have created - just look out for our Big Game Hunters logo or flower emblem to be sure you have an official product. The brand is not just a logo, it is the whole family of ideas, service and quality that are behind every product. We are not a huge corporate and do not claim to be - we are proud of who we are and what we create so look out for our brand knowing that each product carrying our logo has a special standard we aim to maintain for years and years to come...



Please retain for future reference

The Bee-Ball brand is owned by: Garden Games Limited
Chadwick Farm • Garford
Oxfordshire • OX13 5PD • England



BEE-BALL

Bee Ball Freestanding Netball



Are you a play expert?

Take a photo and share it with us using **#littleplayexpert** or **#bigplayexpert** and be part of our growing network of play experts! Thousands of people every day are showing us that they are truly expert at play and playing in so many different ways - are you?



42 likes

@theplayexperts Literally jumping for joy! I think we are seriously #bigplayexpert s! #nevertooold #foreveryoung

107 likes

@theplayexperts our niece and daughter enjoying a game at a family wedding. Never too young for chess!

94 likes

loving the hi tower challenge @theplayexperts - its harder than it looks! #bigplayexpert #littleplayexpert

51 likes

The concentration on their faces! #littleplayexpert @theplayexperts

Warning!

Failure to comply with these warnings can lead to injury and/or damage of the netball equipment.

- Do not allow children to hang from the hoop/rim, climb on the base or up the pole
- Do not perform 'dunk' moves on this netball post as it is not designed for this purpose. During play ensure face does not come close to the ring or net as this could result in injury.
- Do not allow children to move or adjust the system
- Never leave the unit standing upright without proper weight in or on the base to support it
- Make sure you check the base frequently to ensure there is proper support for the stand (see the *Inspection and Maintenance* section below)
- Make sure the pole sections are correctly installed - failure to do this could cause the poles to separate during play or transportation
- The surface beneath the base must be smooth and free of gravel or other sharp objects - punctures cause leakage and could cause the system to tip over
- Check the system before use to make sure all fixtures and fittings are tight (see *Inspection and Maintenance* below)
- During play, do not wear jewellery (e.g. rings, watches, necklaces) objects may become entangled in the net
- Adverse weather conditions, exposure to extremes of weather, corrosive materials such as salt, herbicides or pesticides or misuse of the stand could cause corrosion and result in the system failing
- This equipment is intended for home recreational use only and NOT excessive competitive play
- We recommend storing your stand in a cool, dry place to extend the life of your equipment.

Inspection & Maintenance

We recommend the following inspection and maintenance.



Looking After Your Netball Stand

Your netball stand - just like any other outdoor play equipment - is designed to be used outside but without proper care and maintenance will not last as long as you might want.

Weekly to monthly / routine visual inspection

Check all nuts and bolts - if any are loose, tighten them where necessary.
Check the base feet to make sure they are in the correct place and the bolts are tight
Check all pole sections for visible rust and corrosion.

If you find any corrosion, rust, chips or cracks, use an emery cloth to remove the rust or chipped paint, and clean the area with a damp cloth. Once it is dry apply two coats of a rust preventative high gloss enamel paint (suitable for metal) to the area. Allow the paint to dry between coats and ensure it is completely dry before the stand is used.

1 -2 times per year / annual inspection

Check for rust and corrosion of nuts and bolts and replace with galvanised steel replacements where necessary.

Warning!

For family domestic use only. Not suitable for children under 3 years / 36 months because of small parts which could be a choking hazard. To be used under the supervision of an adult. Install the product in a way to avoid risk of entrapment - with sufficient gap between the product and other surfaces.

Warnung! Nur für den häuslichen Gebrauch. Für Kinder unter 3 Jahren / 36 Monaten der Deckel ist nicht geeignet, wegen verschluckbare Kleinteile. Durch verschluckbare Kleinteile besteht Erstickungsgefahr. Nur unter der direkten Aufsicht eines Erwachsenen benutzen. Bei der Montage des Produktes in ein Spielgerät oder eine andere Konstruktion muss sichergestellt werden, dass keine Fangstellen für Gliedmasse oder Kleidungstelle entstehen.

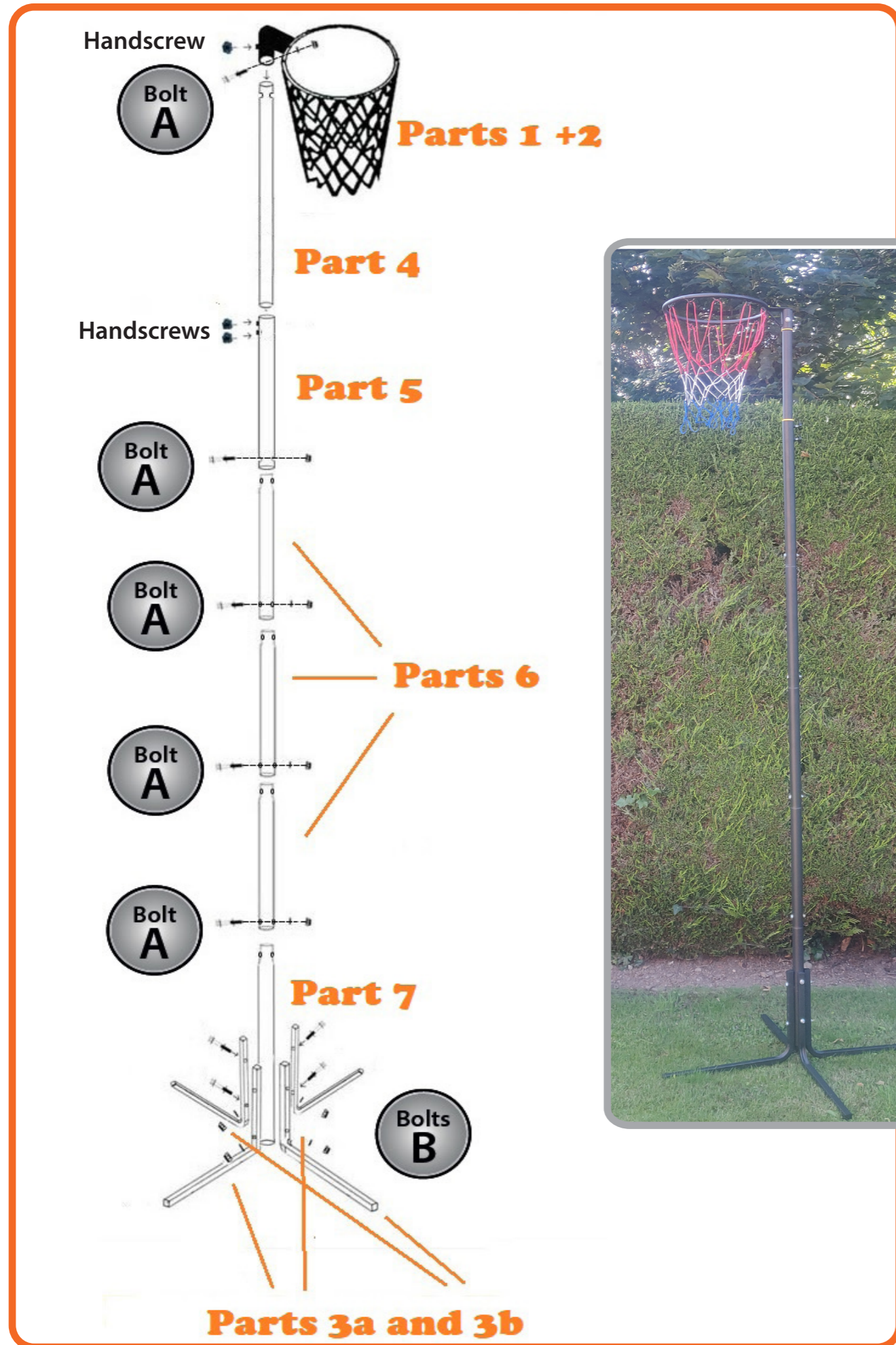
Attention! Exclusivement à usage familial. Ne convient pas aux enfants de moins de 3 ans / 36 mois, présence de petits éléments susceptibles d'être ingérés ou inhalés - risque d'étouffement.. À utiliser sous la surveillance rapprochée d'un adulte. Au cas où l'on incorpore le produit dans un jeu ou une construction quelconque, il faudra le faire de façon à éliminer tout risque de coincéage.

¡Advertencia! Exclusivamente para uso doméstico. No conveniente para menores de 3 años / 36 meses - partes pequeñas con riesgo de ingestión o inhalación - riesgo de atragantamiento.. Se utilizará exclusivamente bajo la vigilancia directa de una persona adulta. La instalación de este producto en un juego infantil o otra construcción debe estar hecho así que peligro para quedarse atascado quede excluido.

Attenzione! Solo per uso domestico. Non adatto ai bambini di età inferiore a 3 anni / 36 mesi - presenza di piccoli elementi suscettibili di ingestione o inalazione - pericolo di soffocamento.. Utilizzare sotto la sorveglianza diretta di un adulto. Effettuare il montaggio in modo che si eviti il rischio di intrappolamento.

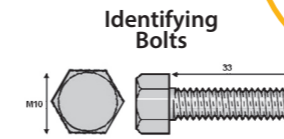
Waarschuwing! Alleen voor privé gebruik. Niet geschikt voor kinderen jonger dan 3 jaar / 36 maanden wegens kleine elementen met het risico op inslikken of inademen - verstikkingsgevaar. Alleen voor privé gebruiken onder toezicht van een volwassene. Het inbouwen van dit product in een speeltoestel of andere constructie dient zodanig te gebeuren dat voor beknelling uitgesloten is.

Make sure all nuts and bolts are securely fastened before using the netball post.
The diagram below shows you where all the parts should be:



One pair of hands

Adjustable Spanner OR Socket Set



Identifying Bolts

Size	Spanner Required
M8	13mm
M10	17mm
M12	19mm
M14	22mm

Handscrew (x3)

Bolt A (x5)
M8/ 60mm

Parts Included

Unterteile / Liste des pièces / Lista de partes
Elenco degli elementi / Onderdelen

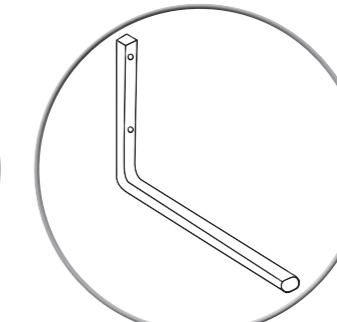
Bolt B (x4)
M8 / 110mm



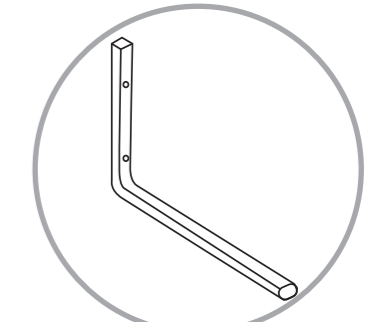
Part 1
Hoop/Ring



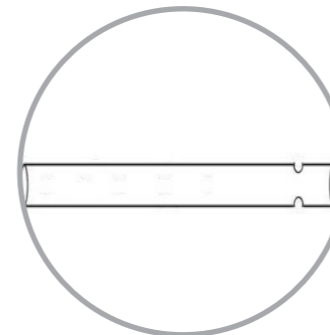
Part 2
Net



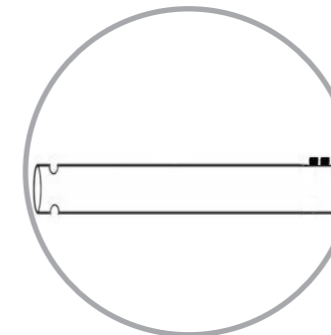
Part 3a
'Higher' Hole Feet (x2)



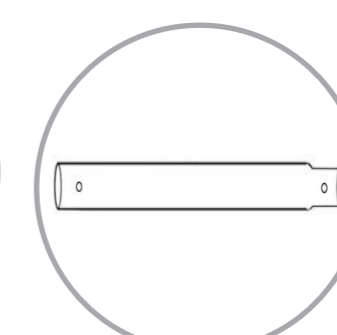
Part 3b
'Lower' Hole Feet (x2)



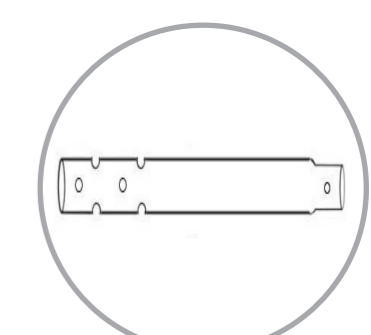
Part 4
Top Pole*



Part 5
Adjustment Pole



Part 6
Middle Poles (x3)



Part 7
Bottom Pole

*Preparing the Adjustment Pole

The adjustment pole comes with two screw holes at the top and bottom (with 'nuts' attached) - where you screw the poles together.

These can be very stiff when screwing in the Handscrews for the first time.

To make this easier, take one Bolt B (M8 / 110mm) and screw this into the holes using your socket set or spanner, then remove. This will prepare the thread ready for assembly.

Before Installation

Check all parts are present!

Our factory takes every effort to make sure everything is packed in its proper place. But just in case a small part has gone astray please make sure you check every piece is present before you begin installing - right down to the nuts and bolts.

Assemble with Care

Installation should be completed by an adult. Please make sure you follow all the instructions carefully. If you have any questions during installation please do not hesitate to contact us on +441865 392439 or email sales@biggamehunters.co.uk and we will be happy to advise.

Please make sure you read all the safety warnings and advice in this instruction manual.

Make sure you position the stand somewhere where there is plenty of space to play.

Using the Netball Equipment

Improper installation or use of the netball stand may cause damage to the stand or result in serious injury to the user. We would advise that children are supervised at all times when using this product.

Do not use the stand in windy weather conditions - adjust to the lowest height and store to prevent any damage.

Please adhere to the warnings below to ensure proper use of this equipment and ultimately to ensure full enjoyment!

Moving Your Netball Stand

The stand must be moved by an adult capable of handling the weight of the stand - children should not be allowed to move the stand.

Stand in front of the netball post, hold the pole and tilt towards you - carry to desired location. You may want to dismantle part of the pole for easy storage. To do this, loosen the second and third (from the top) plastic handle bolts (Bolts A) and lift the top section off the stand.

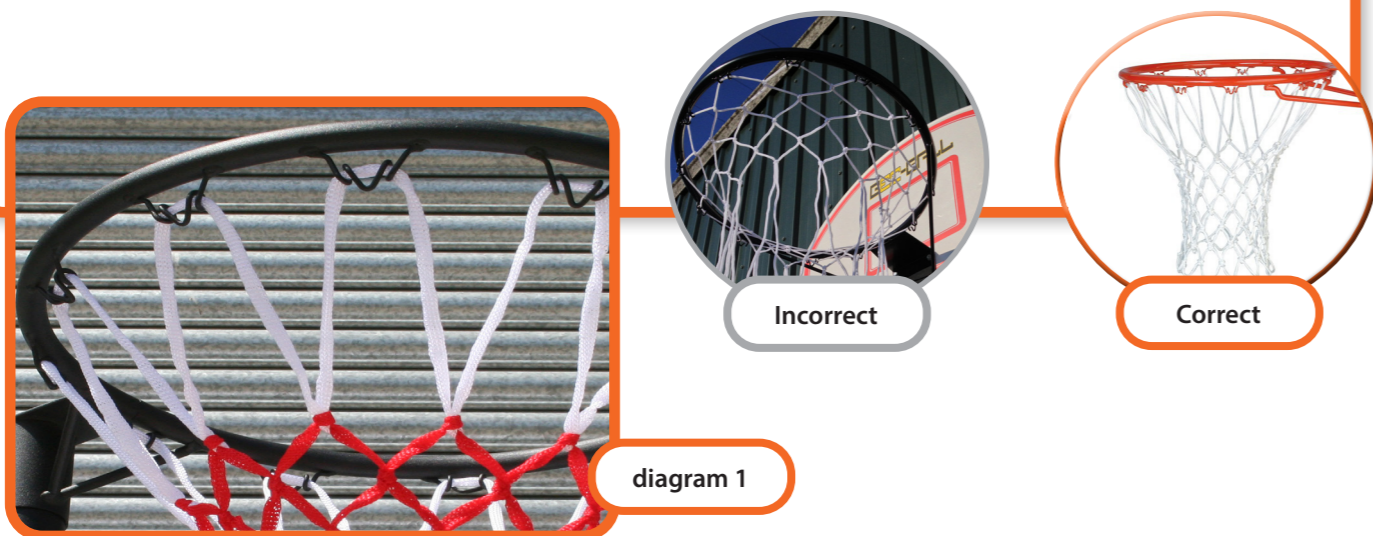
When reassembling the stand make sure all bolts are securely fastened.

Attaching the Net

When attaching the net to your netball ring, make sure you have the net the correct way up.

The wider loops/wider part of the net should be at the top. Slide the loops of the net over the metal loops on the inside of the netball ring. Do this from the inside towards the outside (see diagram 1).

You can also see here a net that has been assembled correctly and one that has been assembled upside down!



Assembling Your Stand

Attach the 'Higher Hole' Feet (parts 3a) to either side of the Bottom Pole (part 7) using two Nut and Bolts B (M8 x 110mm) - the washers should go on the outside edges of the feet.



Then attach the two 'Lower Hole' Feet (parts 3b) to the bottom pole using the remaining two Nuts and Bolts B. Check to make sure all feet are level once attached.



Slide the Top Pole (part 4) inside the Adjustment Pole (part 5) if not already inside. Then place the ring on top. At this stage you can screw in two handscrews ready for the next steps.



Secure the Hoop/Ring to the Top Pole with one handscrew and one Bolt A (M8 / 60mm) - at this stage you may find it easiest to attach the net. Follow the section 'Attaching the Net' on page 3 showing you how to do this.



Secure the Top Pole in place using two handscrews. This is the point where you adjust the top pole to your desired playing height. You can do this at any time by loosening the two handscrews, sliding the top pole up or down and retightening.



Attach the x3 middle poles to each one another with the use of x3 Bolt As. Secure the top of the structure to the adjustment pole and the bottom to the bottom pole with the use of two more Bolt As

