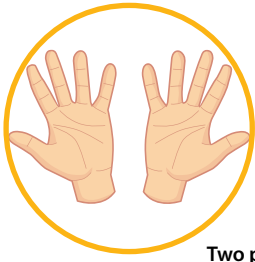


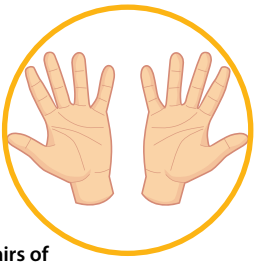
BEE-BALL



Bee Ball ZY024  
Instruction Manual



Two pairs of hands



Spanner and Socket Set

## Tools Required

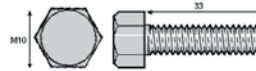
Benötigtes Material / Accessoires / Herramientas  
Strumenti da lavoro / Benodigdheden

Size	Spanner Size
M8	13mm
M10	17mm
M12	19mm
M14	22mm
M16	24mm
M18	27mm
M20	30mm

## Parts Included

Unterteile / Liste des pièces / Lista de partes  
Elenco degli elementi / Onderdelen

### Identifying Bolts



Bolt, Nut & Washer A (x8)  
M10 / 40mm



Bolt & Washer B (x2)  
M10 / 55mm



Bolt, Nut & Washer C (x4)  
M8 / 20mm



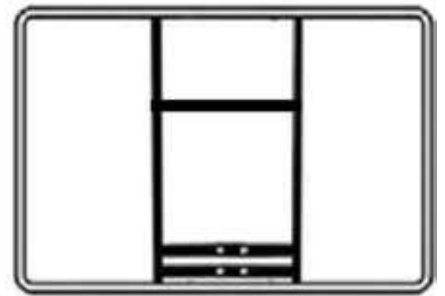
Bolt, Nut & Washer D (x1)  
M8 / 90mm



Bolt, Nut & Washer E (x1)  
M10 / 80mm



Bolt, Nut & Washer F (x6)  
M10 / 110mm



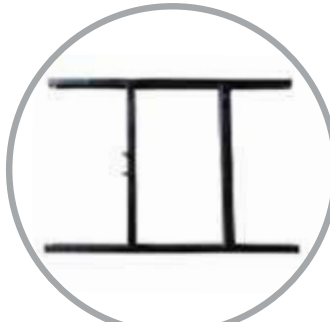
Part 1  
Backboard



Part 2  
Hoop/Ring



Part 3  
Net



Part 4  
Upper Bracket



Part 5  
Lower Bracket



Part 6  
Backplate



Part 7  
Upper Braces



Part 8  
Lower Braces



Part 9  
Adjustment Pole  
and Handle

## Before Installation

### **Check all parts are present!**

Our factory takes every effort to make sure everything is packed in its proper place. But just in case a small part has gone astray please make sure you check every piece is present before you begin installing - right down to the nuts and bolts.

### **Assemble with Care**

Installation should be completed by two adults. Please make sure you follow all the instructions carefully. If you have any questions during installation please do not hesitate to contact us on +441865 392439 or email [sales@biggamehunters.co.uk](mailto:sales@biggamehunters.co.uk) and we will be happy to advise.

Please make sure you read all the safety warnings and advice in this instruction manual. Take extra care and attention over the wall fixing instructions as this will make sure your equipment is firmly attached once you have completed the assembly. Make sure you position the backboard somewhere with plenty of space to play.

### **Using the Basketball Equipment**

Improper installation or use of the basketball backboard and flex ring may cause damage to the system or result in serious injury to the user. We would advise that children are supervised at all times when using this product.

Please adhere to the warnings below to ensure proper use of this equipment and ultimately to ensure full enjoyment!

## Attaching the Basketball Net

When attaching the net to your basketball hoop, make sure you have the net the correct way up. The wider loops/wider part of the net should be at the top. Slide the loops of the net over the metal loops on the inside of the basketball hoop - from the inside towards the outside (see diagram 1). You can also see here a net that has been assembled correctly and one that has been assembled upside down!



diagram 1



Incorrect



Correct

# Assembling Your Backboard & Ring

1

## Mark the Position of the Backboard

*You will need:*

Backplate (part 6)

Pencil

Decide where you would like your backboard to be fixed and using the backboard frame as a template mark where you will drill the holes in the wall. Alternatively you can skip this step and mark the position once the whole backboard is assembled.

# 2

## Attach Ring to Backboard

*You will need:*

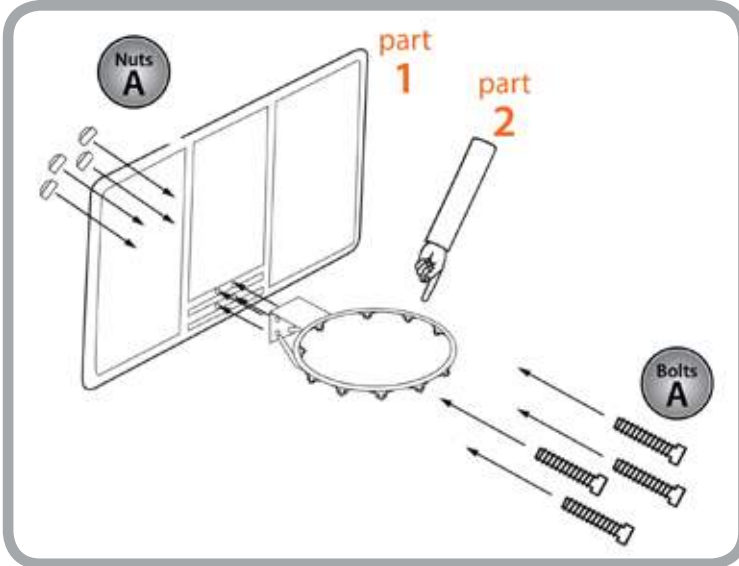
Hoop/Ring (part 2)  
Backboard (part 1)

4 x Bolts, Nuts & Washers A (M10 x 40mm)

First, remove the metal case from the back of the ring using a crosshead screwdriver.

Fix the Hoop/Ring (part 2) to the front of the Backboard (part 1) using four Bolts, Nuts & Washers A.

The bolts go through the back of the backboard then through the ring and are fixed in place using the nuts. Now put the metal case back on the ring.



They should sit in this order once fixed:

Bolt > Washer > Ring > Washer > Nut

# 3

## Attach Backboard Brackets

*You will need:*

Pre assembled parts from step 2 (parts 1 + 2)  
Upper Bracket (part 4)

4 x Bolts & Washers B (M10 x 55mm)  
Lower Bracket (part 5)

Fix the Upper Bracket (part 4) and the Lower Bracket (part 5) to the Backboard (part 1) using four Bolts, Nuts and Washers

B. The cross bar on the Lower Bracket goes close to the Backboard. For the Upper Bracket the cross bar with the fixing joint is positioned away from the Backboard.

Please Note: These bolts need to be tightened to the right level. If they are too tight, it will be impossible to adjust



3

### Attach Backboard Brackets



They should sit in this order once assembled:

Bolt > Washer > Bracket > Backboard > Washer > Nut

fixing joint

4

### Attach Backplate to Brackets

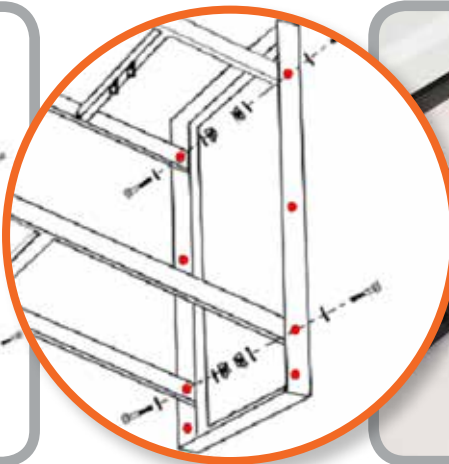
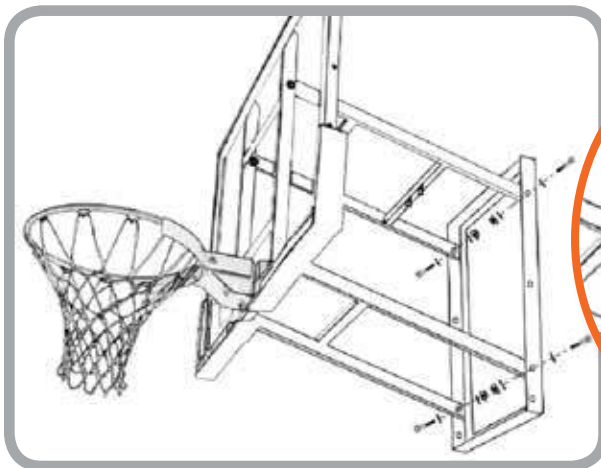
*You will need:*

Pre assembled parts from steps 2-3 (parts 1 + 2 + 4 + 5)

4 x Bolts, Springs, Nuts & Washers A (M10 x 40mm)

Backplate (part 6)

Attach the Backplate (part 6) to the Upper and Lower Brackets (parts 4 + 5) using four Bolts, Nuts and Washers A. Make sure you attach the Backplate the right way up by carefully referring to the images below. The bolts go through the very top holes and through the second from the bottom holes.



5

### Attach Adjustment Pole and Handle

*You will need:*

Pre assembled backboard from steps 1-4 (parts 1 + 2 + 4 + 5 + 6)

Adjustment Pole and Handle (part 9)

1 x Bolt, Nut & Washer E (M10 x 80mm)

Attach the Adjustment Pole (part 9) using one Bolt, Nut and Washer E. Now add the handle as shown in the picture.

# 5

## Attach Adjustment Pole and Handle



*Note:*  
If there is not enough clearance for the bolt, wind the handle so it drops down.

# 6

## Attach Braces

*You will need:*

Pre assembled backboard from steps 1-5 (parts 1 + 2 + 4 + 5 + 6 + 9)

Lower Braces (part 8)

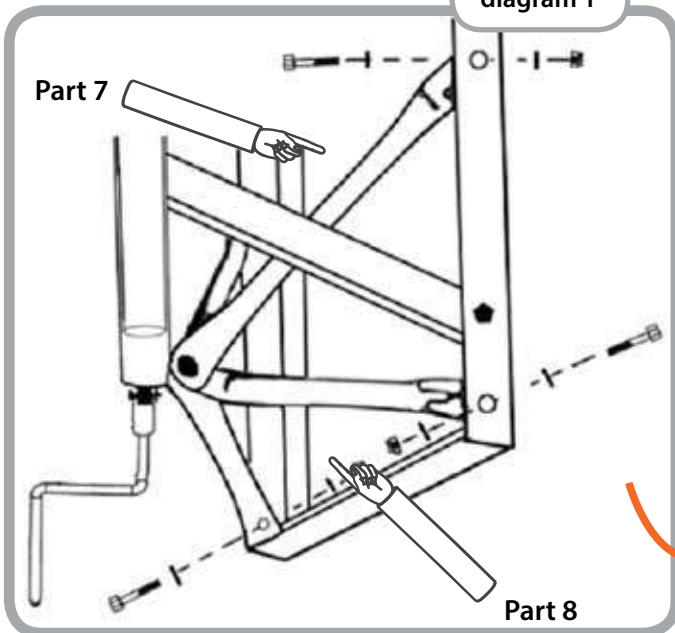
4 x Bolts, Nut & Washers C (M8 x 20mm)

Upper Braces (part 7)

Bolt, Nut and Washer D (M8 x 90mm)

Attach Upper Braces (part 7) and Lower Braces (part 8) to the Wall Bracket as shown in diagram 1 using four Bolts, Nut and Washers C. Then connect the end of all Braces (parts 7 + 8) to the Adjustment Pole (part 9) using a single Bolt, Nut and Washer D.

diagram 1



# 7

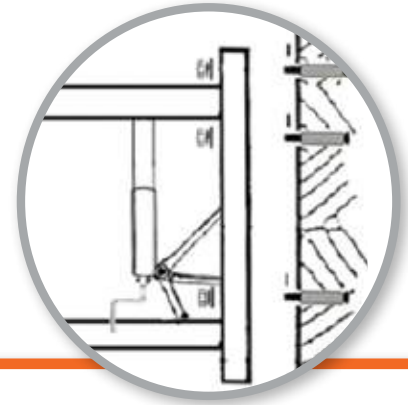
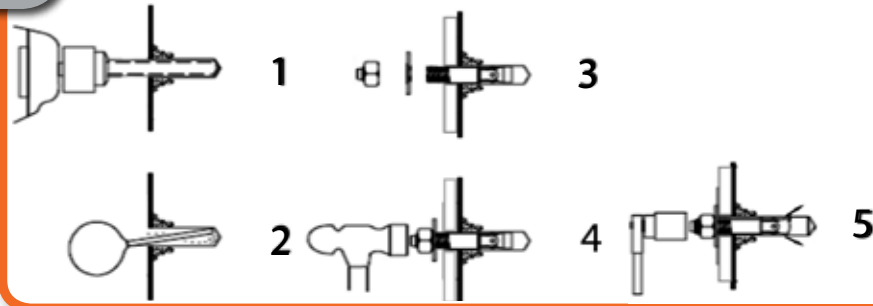
## Fix Backboard to Wall

*You will need:*

Pre assembled backboard from steps 1-6 (parts 1-9)

6 x Bolts, Nut & Washers F (M10 x 110mm)

Fix the backboard brackets to the wall using four wall anchor Bolts, Nuts and Washers F. Using an equal diameter drill bit to the wall anchor bolts drill the holes in your wall and insert the bolts with the nuts facing out. Remove the nuts and place the backboard onto the bolts. Put the nuts back onto the bolts and tighten them. The anchor bolts will expand as you tighten the nuts, securing the backboard in place.



### Warning!

**Failure to comply with these warnings can lead to injury and/or damage of the basketball equipment.**

- If using a ladder during assembly, use extreme caution.
- Do not allow children to hang from the hoop or any part of the system including the backboard, rim, support braces or net.
- Do not perform 'dunk' moves on this basketball backboard as it is not designed for this purpose. During play ensure face does not come close to the backboard, rim or net as this could result in injury.
- Make sure you check the backboard frequently to ensure it is properly attached to the wall (see the *Inspection and Maintenance* section below).
- Check the system before use to make sure all fixtures and fittings are tight (see *Inspection and Maintenance* below).
- During play, do not wear jewellery (e.g. rings, watches, necklaces) objects may become entangled in the net.
- Adverse weather conditions, exposure to extremes of weather, corrosive materials such as salt, herbicides or pesticides or misuse of the backboard could cause corrosion and result in the system failing.

### Inspection & Maintenance

We recommend the following inspection and maintenance.



#### Looking After Your Basketball Backboard and Flex Ring

Your basketball backboard and flex ring - just like any other outdoor play equipment - are designed to be used outside but without proper care and maintenance will not last as long as you might want.


#### Weekly to monthly / routine visual inspection

Check all nuts and bolts - if any are loose, tighten them where necessary.


#### 1 -2 times per year / annual inspection


Check for rust and corrosion of nuts and bolts and replace with galvanised steel replacements where necessary.


### Warning!


 **For family domestic use only. Not suitable for children under 3 years / 36 months because of small parts which could be a choking hazard. To be used under the supervision of an adult.**

**Install the product in a way to avoid risk of entrapment - with sufficient gap between the product and other surfaces.**

 **Warnung! Nur für den häuslichen Gebrauch. Für Kinder unter 3 Jahren / 36 Monaten der Deckel ist nicht geeignet, wegen verschluckbare Kleinteile. Durch verschluckbare Kleinteile besteht Erstickenungsgefahr. Nur unter der direkten Aufsicht eines Erwachsenen benutzen. Bei der Montage des Produktes in ein Spielgerät oder eine andere Konstruktion muss sichergestellt werden, dass keine Fangstellen für Gliedmasse oder Kleidungsstücke entstehen.**

 **Attention! Exclusivement à usage familial. Ne convient pas aux enfants de moins de 3 ans / 36 mois, présence de petits éléments susceptibles d'être ingérés ou inhalés - risque d'étouffement.. À utiliser sous la surveillance rapprochée d'un adulte. Au cas où l'on incorpore le produit dans un jeu ou une construction quelconque, il faudra le faire de façon à éliminer tout risque de coincage.**

 **¡Advertencia! Exclusivamente para uso doméstico. No conveniente para menores de 3 años / 36 meses - partes pequeñas con riesgo de ingestión o inhalación - riesgo de atragantamiento.. Se utilizará exclusivamente bajo la vigilancia directa de una persona adulta. La instalación de este producto en un juego infantil o otra construcción debe estar hecho así que peligro para quedarse atascado quede excluido.**

 **Attenzione! Solo per uso domestico. Non adatto ai bambini di età inferiore a 3 anni / 36 mesi - presenza di piccoli elementi suscettibili di ingestione o inalazione - pericolo di soffocamento.. Utilizzare sotto la sorveglianza diretta di un adulto. Effettuare il montaggio in modo che si eviti il rischio di intrappolamento.**

 **Waarschuwing! Alleen voor privé gebruik. Niet geschikt voor kinderen jonger dan 3 jaar / 36 maanden wegens kleine elementen met het risico op inslikken of inademen - verstikkingsgevaar. Alleen voor privé gebruiken onder toezicht van een volwassene. Het inbouwen van dit product in een speeltoestel of andere constructie dient zodanig te gebeuren dat voor beknelling uitgesloten is.**



# Not just Basketball...

You may or may not be aware that Bee-Ball is exclusive to the retailer Big Game Hunters who not only have a huge range of high quality basketball equipment but are also owners of the UK's leading sports ball retailer.

## Sports Ball Shop

Part of the Big Game Hunters group 

Big Game Hunters' Sports Ball Shop sells a wide range of balls and sports training equipment including basketballs. To browse their range go to [sportsballshop.co.uk](http://sportsballshop.co.uk).

Alongside a wide range of basketball and sports equipment Big Game Hunters also manufacture and sell a wide range of other outdoor toys, games and play equipment. Having been in the game since the year 1998 as a retailer we have a lot of experience and expertise in this area.

Some of our other ranges include...

Skyhigh Trampolines



Giant Games



Wooden Playhouses



Climbing Frames



information on these and other products can be found at:

[www.biggamehunters.co.uk](http://www.biggamehunters.co.uk)

Big Game Hunters is the retail division of Garden Games Ltd.

### The logo to look out for...

Garden Games Ltd. spreads much wider than the Bee Ball basketball brand. There are many more products we have created - look out for our Garden Games logo or flower emblem to be sure you have an official Garden Games Limited product. The brand is not just a logo, it is the whole family of ideas, service and quality that are behind every product.

We are not a huge corporate and do not claim to be - we are proud of who we are and what we create

so look out for our brand knowing that each product carrying our logo has a special standard we aim to maintain for years and years to come...



Bee-Ball®

is exclusive to

Big Game Hunters:

+441865 392439

[sales@biggamehunters.co.uk](mailto:sales@biggamehunters.co.uk)

[biggamehunters.co.uk](http://biggamehunters.co.uk)

@thePlayExperts

Please retain for future reference