

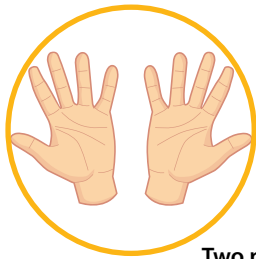
BEE-BALL



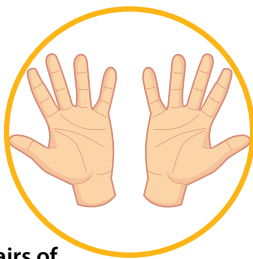
Bee Ball ZY020 Backboard
Instruction Manual

Tools Required

Benötigtes Material / Accessoires / Herramientas
Strumenti da lavoro / Benodigdheden



Two pairs of hands



Spanner and Socket Set

Parts Included

Unterteile / Liste des pièces / Lista de partes
Elenco degli elementi / Onderdelen

Size	Spanner Size
M8	13mm
M10	17mm
M12	19mm
M14	22mm
M16	24mm
M18	27mm
M20	30mm
M24	36mm



Bolt & Washer A (x2)
M8 / 16mm



Bolt, Nut & Washer B (x2)
M8 / 40mm



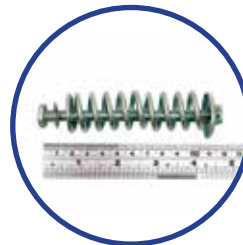
Bolt, Nut & Washer C (x4)
M8 / 80mm



Part 1
Backboard



Part 2
Hoop/Ring



Bolt, Spring, Nut & Washer D (x2)
M8 / 110mm



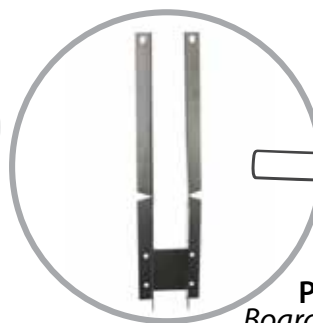
Bolt, Nut & Washer E (x2)
M12 / 150mm



Part 3
Net



Part 4
Board Braces (x2)



Part 5
Board Bracket*



*Please note: this will need to be bent outwards during assembly

Before Installation

Check all parts are present!

Our factory takes every effort to make sure everything is packed in its proper place. But just in case a small part has gone astray please make sure you check every piece is present before you begin installing - right down to the nuts and bolts.

Assemble with Care

Installation should be completed by two adults. Please make sure you follow all the instructions carefully. If you have any questions during installation please do not hesitate to contact us on +441865 392439 or email sales@biggamehunters.co.uk and we will be happy to advise.

Please make sure you read all the safety warnings and advice in this instruction manual. Take extra care and attention over the wall fixing instructions as this will make your equipment firmly attached once you have completed the assembly. Make sure you position the backboard somewhere with plenty of space to play.

Using the Basketball Equipment

Improper installation or use of the basketball backboard and flex ring may cause damage to the system or result in serious injury to the user. We would advise that children are supervised at all times when using this product.

Please adhere to the warnings below to ensure proper use of this equipment and ultimately to ensure full enjoyment!

Attaching the Basketball Net

When attaching the net to your basketball hoop, make sure you have the net the correct way up. The wider loops/wider part of the net should be at the top. Slide the loops of the net over the metal loops on the inside of the basketball hoop - from the inside towards the outside (see diagram 1). You can also see here a net that has been assembled correctly and one that has been assembled upside down!



diagram 1



Correct



Incorrect

Assembling Your Backboard & Ring

1

Assemble the Frame

You will need:

2 x Board Braces (parts 4)

1 x Board Bracket (part 5)

2 x Bolts & Washers E (M12 x 150mm)

Attach the two Backboard Braces (parts 4) to the Backboard Bracket (part 5) using two Bolts, Nuts and Washers E.



They should sit in this order once assembled:

Bolt > Washer > Brace > Bracket > Bolt Sleeve > Bracket Section > Brace Tube > Washer > Nut

2

Mark the Position of the Backboard

You will need:

Pre assembled parts from step 1 (parts 4 + 5)

Pencil

Decide where you would like your backboard to be fixed and using the backboard frame as a template mark where you will drill the holes in the wall. Alternatively you can skip this step and mark the position once the whole backboard is assembled.

3

Attach Backboard Braces

You will need:

Pre assembled parts from step 1 (parts 4 + 5)

1 x Backboard

2 x Bolts & Washers A (M8 x 16mm)

Bend both struts of the Backboard Bracket (part 5) outwards and attach them to the backboard using two Bolts, Nuts and Washers A.

**4**

Attach Ring to Backboard

You will need:

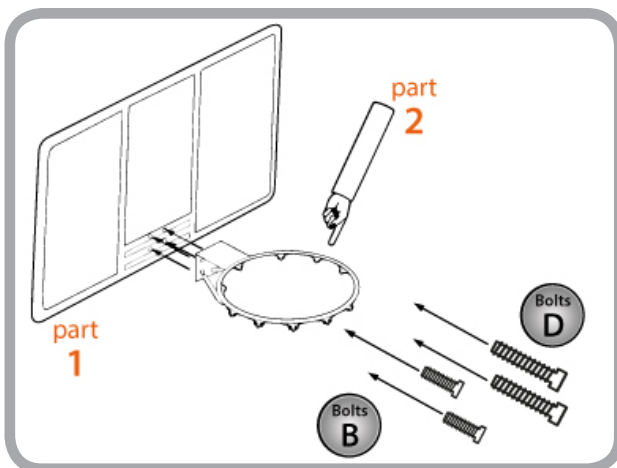
Pre assembled parts from steps 2-3 (backboard with braces and bracket)

Hoop/Ring (part 2)

2 x Bolts, Nuts & Washers B (M8 x 40mm)

2 x Bolts, Springs, Nuts & Washers D (M8 x 110mm)

Attach ring (part 2) to the backboard (part 1) using two Bolts, Nuts and Washers B and two Bolts, Springs, Nuts & Washers D. The spring bolts go in the top two holes, and the plain bolts in the bottom two holes. The bolts go through the ring then through the backboard and are fixed in place using the nuts.



They should sit in this order once assembled:

Bolt > Washer > Ring > Backboard > Washer > Nut

5

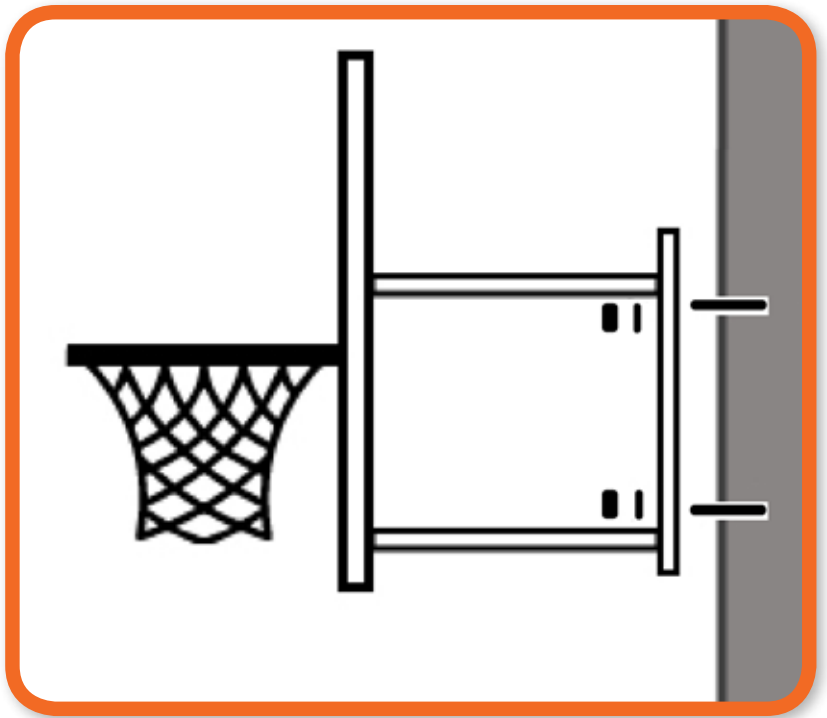
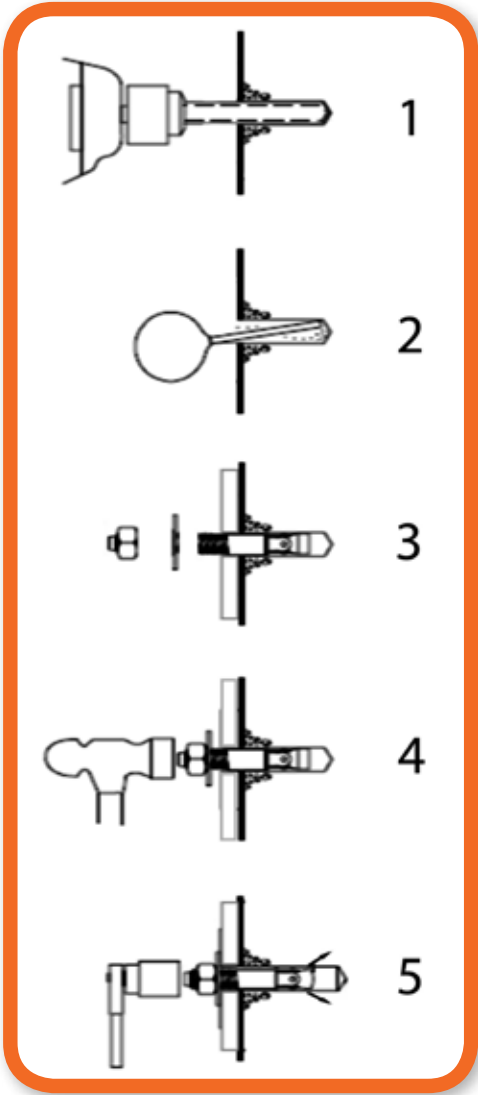
Fix Backboard to Wall

You will need:

Pre assembled backboard from steps 1-4 (parts 1 + 2 + 4 + 5)

4 x Bolts, Nut & Washers C (M8 x 80mm)

Fix the backboard brackets to the wall using four wall anchor Bolts, Nuts and Washers C. Using an equal diameter drill bit to the wall anchor bolts, drill the holes in your wall and insert the bolts with the nuts facing out. Remove the nuts and place the backboard onto the bolts. Put the nuts back onto the bolts and tighten them. The anchor bolts will expand as you tighten the nuts, securing the backboard in place.



They should sit in this order once fixed:

Bolt > Bracket > Washer > Nut

Warning!

Failure to comply with these warnings can lead to injury and/or damage of the basketball equipment.

- If using a ladder during assembly, use extreme caution.
- Do not allow children to hang from the hoop or any part of the system including the backboard, rim, support braces or net.
- Do not perform 'dunk' moves on this basketball backboard as it is not designed for this purpose. During play ensure face does not come close to the backboard, rim or net as this could result in injury.
- Make sure you check the backboard frequently to ensure it is properly attached to the wall (see the *Inspection and Maintenance* section below).
- Check the system before use to make sure all fixtures and fittings are tight (see *Inspection and Maintenance* below).
- During play, do not wear jewellery (e.g. rings, watches, necklaces) objects may become entangled in the net.
- Adverse weather conditions, exposure to extremes of weather, corrosive materials such as salt, herbicides or pesticides or misuse of the backboard could cause corrosion and result in the system failing.
- This equipment is intended for home recreational use only and NOT excessive competitive play.

Inspection & Maintenance

We recommend the following inspection and maintenance.



Looking After Your Basketball Backboard and Flex Ring

Your basketball backboard and flex ring - just like any other outdoor play equipment - are designed to be used outside but without proper care and maintenance will not last as long as you might want.


Weekly to monthly / routine visual inspection

Check all nuts and bolts - if any are loose, tighten them where necessary.


1 -2 times per year / annual inspection


Check for rust and corrosion of nuts and bolts and replace with galvanised steel replacements where necessary.


Warning!


 **For family domestic use only. Not suitable for children under 3 years / 36 months because of small parts which could be a choking hazard. To be used under the supervision of an adult.**


Install the product in a way to avoid risk of entrapment - with sufficient gap between the product and other surfaces.

 **Warnung! Nur für den häuslichen Gebrauch. Für Kinder unter 3 Jahren / 36 Monaten der Deckel ist nicht geeignet, wegen verschluckbare Kleinteile. Durch verschluckbare Kleinteile besteht Erstickungsgefahr. Nur unter der direkten Aufsicht eines Erwachsenen benutzen. Bei der Montage des Produktes in ein Spielgerät oder eine andere Konstruktion muss sichergestellt werden, dass keine Fangstellen für Gliedmasse oder Kleidungstelle entstehen.**

 **Attention! Exclusivement à usage familial. Ne convient pas aux enfants de moins de 3 ans / 36 mois, présence de petits éléments susceptibles d'être ingérés ou inhalés - risque d'étouffement.. À utiliser sous la surveillance rapprochée d'un adulte. Au cas où l'on incorpore le produit dans un jeu ou une construction quelconque, il faudra le faire de façon à éliminer tout risque de coincage.**

 **¡Advertencia! Exclusivamente para uso doméstico. No conveniente para menores de 3 años / 36 meses - partes pequeñas con riesgo de ingestión o inhalación - riesgo de atragantamiento.. Se utilizará exclusivamente bajo la vigilancia directa de una persona adulta. La instalación de este producto en un juego infantil o otra construcción debe estar hecho así que peligro para quedarse atascado quede excluido.**

 **Attenzione! Solo per uso domestico. Non adatto ai bambini di età inferiore a 3 anni / 36 mesi - presenza di piccoli elementi suscettibili di ingestione o inalazione - pericolo di soffocamento.. Utilizzare sotto la sorveglianza diretta di un adulto. Effettuare il montaggio in modo che si eviti il rischio di intrappolamento.**

 **Waarschuwing! Alleen voor privé gebruik. Niet geschikt voor kinderen jonger dan 3 jaar / 36 maanden wegens kleine elementen met het risico op inslikken of inademen - verstikkingsgevaar. Alleen voor privé gebruiken onder toezicht van een volwassene. Het inbouwen van dit product in een speeltoestel of andere constructie dient zodanig te gebeuren dat voor beknelling uitgesloten is.**

Not just Basketball...

You may or may not be aware that Bee-Ball is exclusive to the retailer Big Game Hunters who not only have a huge range of high quality basketball equipment but are also owners of the UK's leading sports ball retailer.

Sports Ball Shop

Part of the Big Game Hunters group 

Big Game Hunters' Sports Ball Shop sells a wide range of balls and sports training equipment including basketballs. To browse their range go to sportsballshop.co.uk.

Alongside a wide range of basketball and sports equipment Big Game Hunters also manufacture and sell a wide range of other outdoor toys, games and play equipment. Having been in the game since the year 1998 as a retailer we have a lot of experience and expertise in this area.

Some of our other ranges include...

Skyhigh Trampolines



Giant Games



Wooden Playhouses



Climbing Frames



information on these and other products can be found at:

www.biggamehunters.co.uk

Big Game Hunters is the retail division of Garden Games Ltd.

The logo to look out for...

Garden Games Ltd. spreads much wider than the Bee Ball basketball brand. There are many more products we have created - look out for our Garden Games logo or flower emblem to be sure you have an official Garden Games Limited product. The brand is not just a logo, it is the whole family of ideas, service and quality that are behind every product.

We are not a huge corporate and do not claim to be - we are proud of who we are and what we create

so look out for our brand knowing that each product carrying our logo has a special standard we aim to maintain for years and years to come...



Bee-Ball®

is exclusive to

Big Game Hunters:

+441865 392439

sales@biggamehunters.co.uk

biggamehunters.co.uk

@thePlayExperts

Please retain for future reference