

BEE-BALL



Bee Ball Pro-Bound
Instruction Manual

Before Installation

Check all parts are present!

Our factory takes every effort to make sure everything is packed in its proper place. But just in case a small part has gone astray please make sure you check every piece is present before you begin installing - right down to the nuts and bolts.

Assemble with Care

Installation should be completed by two adults. Please make sure you follow all the instructions carefully. If you have any questions during installation please do not hesitate to contact us on +441865 392439 or email sales@biggamehunters.co.uk and we will be happy to advise.

Please make sure you read all the safety warnings and advice in this instruction manual. Take extra care and attention over the ballasting instructions as this will make sure your equipment stands firm once you have completed the assembly. We recommend the use of sand and water - if water is used anti-freeze is necessary to prevent the water from freezing and cracking the base. Make sure you position the stand somewhere where there is plenty of space to play.

Using the Basketball Equipment

Improper installation or use of the basketball stand may cause damage to the stand or result in serious injury to the user. We would advise that children are supervised at all times when using this product.

Do not use the stand in windy weather conditions - adjust to the lowest height and store to prevent any damage.

Please adhere to the warnings below to ensure proper use of this equipment and ultimately to ensure full enjoyment!

Weighing Down the Base

Making sure the base is weighted properly is very important for safety reasons.

We recommend filling your base with sand or a mixture of water and sand or fine gravel - to a total weight of 170kg.

To fill, simply remove the plastic plug/lid in the base and add water using a hose. To add sand or gravel, use a funnel - you can create a make-shift funnel using a flexible plastic board or thick glossy piece of cardboard.

If you are using water you must add anti-freeze to prevent the base from cracking during winter months. We would also recommend adding an anti-algae solution to the water to prevent algae from growing inside the base (such as bleach or chlorine).

Moving Your Basketball Stand

The stand must be moved by two adults capable of handling the weight of the stand - children should not be allowed to move the stand.

Stand with a person at the front and rear of the base respectively. Lean the unit backwards onto the wheels at the rear of the base slowly.

Roll the stand carefully to the new location and slowly push the system back to a standing position.

Attaching the Basketball Net

When attaching the net to your basketball hoop, make sure you have the net the correct way up. The wider loops/wider part of the net should be at the top. Slide the loops of the net over the metal loops on the inside of the basketball hoop - from the inside towards the outside (see diagram 1). You can also see here a net that has been assembled correctly and one that has been assembled upside down!

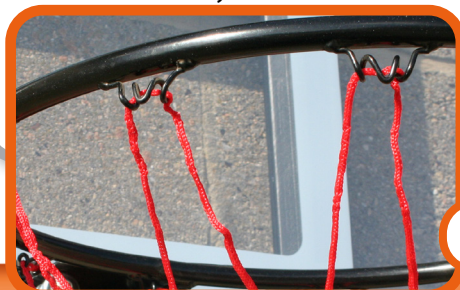
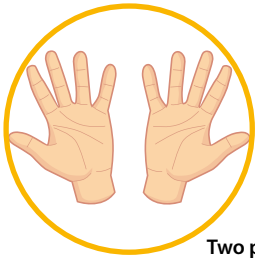
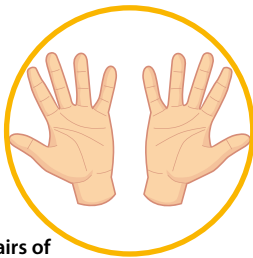


diagram 1





Two pairs of hands

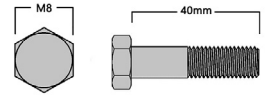


Spanner and Socket Set

Tools Required

Benötigt Material / Accessoires / Herramientas
Strumenti da lavoro / Benodigdheden

Identifying Bolts



Parts Included

Unterteile / Liste des pièces / Lista de partes
Elenco degli elementi / Onderdelen



Bolt, Nut & Washer A
(x4) M8/ 40mm



Bolt & Washer B
(x2) M8/ 16mm



Bolt, Nut & Washer C
(x2) M8/ 90mm



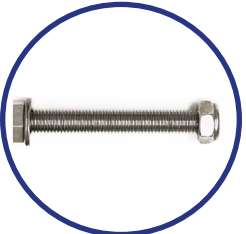
Bolt Nut & Washer D
(x2) M8/ 50mm



Bolt & Washer E
(x1) M8/ 20mm



Bolt, Nut & Washer F
(x2) M10/ 90mm



Bolt Nut & Washer H
(x1) M10/ 140mm



Plastic Bolt Cap

Size	Spanner Size
M8	13mm
M10	17mm
M12	19mm
M14	22mm
M16	24mm
M18	27mm
M20	30mm
M24	36mm



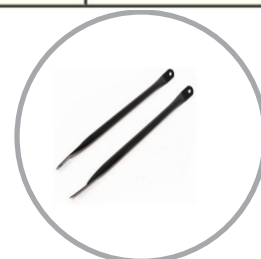
Part 1
Backboard



Part 2
Hoop/Ring



Part 3
Net



Part 4
Backboard Struts



Part 5
Pole Top Cap
(In Top Pole)



Part 6 (W)
Top Pole



Part 7 (X)
Middle Pole



Part 8 (Y)
Bottom Pole



Part 9
Base
*Comes with
Wheels on
Underside



Part 10
Upper Base Struts (x2)



Part 11
Base Struts (x2)



Part 12
Base Tee

A note on the bolts

Our nuts feature a blue seal for a tight and secure fit (please see pictures).

Secure the bolt head in place using a spanner or socket set.
Then tighten the nut using a second spanner or socket set.



When you turn the nut it will force the blue seal to conform to the shape of the threads on the bolt.

This will allow you to tighten the bolt as much as required.

Assembling Your Stand

1

Attach Ring and Rear Bracket to Backboard

You will need:

Hoop/Ring (part 2)

Backboard and Backboard Struts (parts 1 and 4)

Top Pole (part 6)

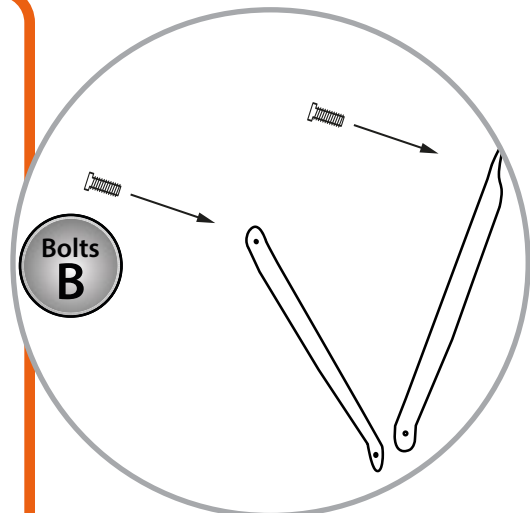
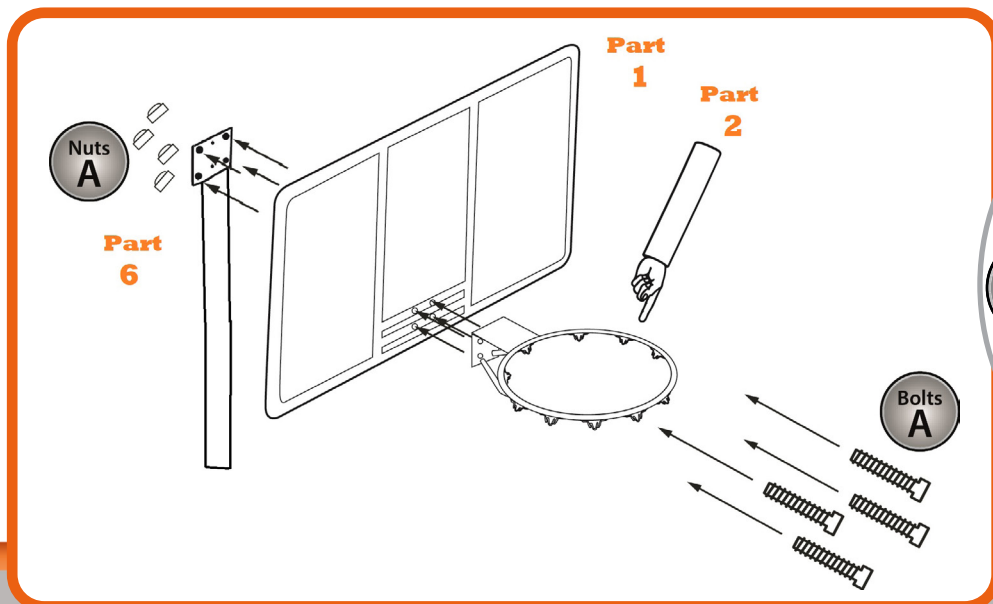
4 x Bolts, Nut & Washers A (M8 x 40mm)

2 x Bolts & Washers B (M8 x 16mm)

Fix the Hoop/Ring (part 2) to the front of the Backboard (part 1), and the top pole (part 6) using Bolts, Nuts A - there should be four in total plus eight washers (one washer for each bolt and one for each nut).

The bolts go through the back plate on the ring, the backboard, then the plate on the top pole and out the back to be fixed in place using the nuts.

Fix the top of the Backboard struts to the Backboard using Bolts & Washers B - see diagram in the circle.



Attach Top Pole to Backboard Struts

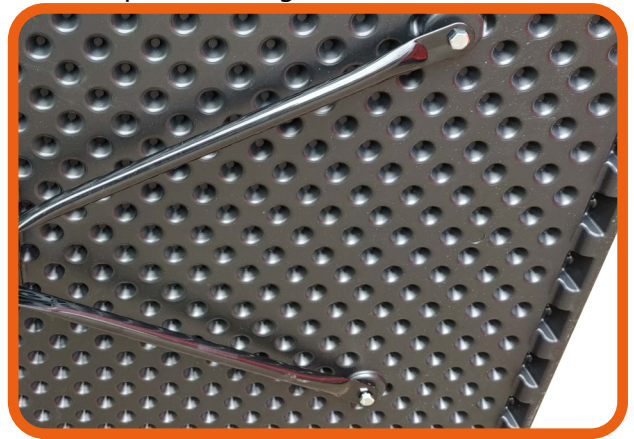
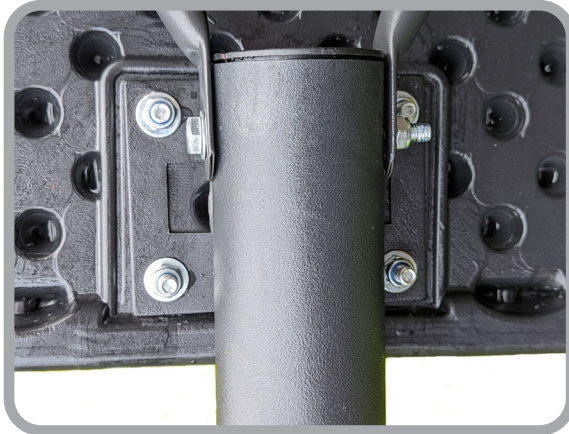
2

You will need:

Parts as assembled in Step 1

1 x Bolt, Nuts & Washers C (M8 x 90mm)

Secure the Backboard struts (part 4) into the top pole (part 6) with the use of 1 Bolt C. It may help to loosen Bolt B already in the backboard to complete this stage.



3

Join the Top Pole and Middle Pole

You will need:

Parts as assembled in Step 1 & 2

Middle Pole (part 7)

1 x Bolt, Nut & Washers F (M10 x 90mm)

Fix the Middle Pole (part 7) to the Top Pole and Backboard from Steps 1 and 2 with the use of one Bolt, Nut and Washers F. Once you have done this, carefully place these assembled parts to one side.



4

Assemble the Base

You will need:

Base (part 9)

Upper Base Struts (part 10)

Lower Base Struts (part 11)

2 x Bolt, Nut & Washers D (M8 x 50mm)

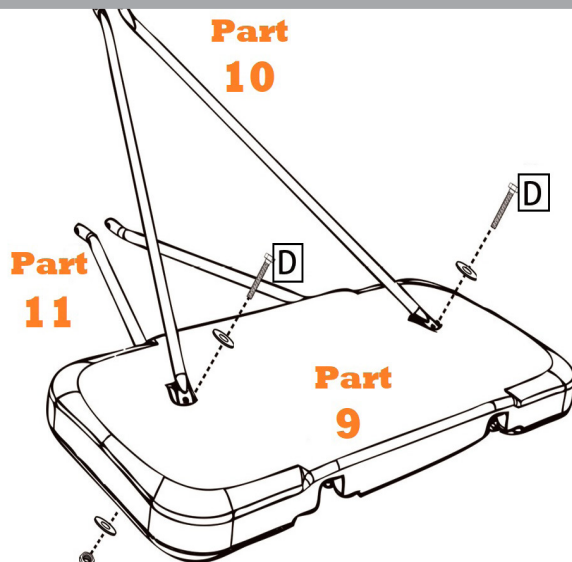
It may help to turn the base on its side for the next step.

Attach the Upper Base Struts (Part 10) and Lower Base Struts (Part 11) to the Base (Part 9) with 2 x Bolt, Nut & Washers D (M8 x 50mm)

The bolts go down into the base and the parts need to be arranged in the following order.

Upper Base Strut > Base > Lower Base Strut

It is advisable to leave the two bolts only partially tightened to allow enough give to complete Step 5.



5 Attach the Base Struts to the Lower Pole

You will need:

Parts as assembled in Step 4

Bottom Pole (Part 8)

Base Tee (Part 12)

Plastic Bolt Cap

1 x Bolt, Nut & Washers C (M8 x 90mm)

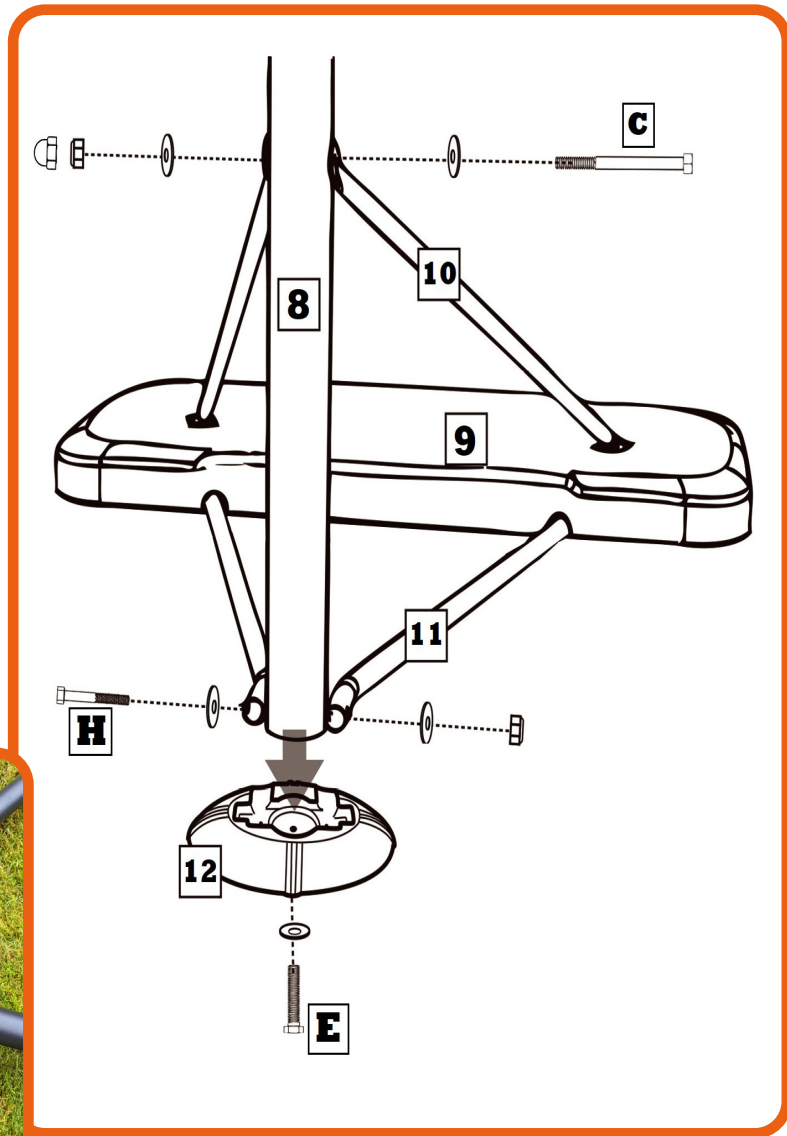
2 x Bolts, Nut & Washers E (M8 x 20mm)

1 x Bolt, Nut & Washers H (M10 x 140mm)

Fix the Upper Base Struts to the Bottom Pole (Part 8) with Bolt, Nut and Washers C (M8 x 90mm) and then screw the Plastic Bolt Cap on the threaded end.

Attach the Lower Base Struts to the Bottom of the pole with Bolt, Nut and Washers H (M10 x 140mm).

Place the bottom of the Lower Pole onto the Base Tee (Part 12) and secure with Bolt and Washer E (M8 x 20mm)



6

Complete your Basketball Stand

You will need:

Pre-assembled parts from Steps 1-3 (backboard with ring connected to the top and middle poles)

Pre-assembled (Base and Bottom Pole from Steps 4 & 5)

Bolt, Nut & Washers F (M10 x 90mm)

Carefully laying your stand on its side, attach the Middle Pole (with backboard, ring etc. attached) to the Bottom Pole using Bolts, Nuts & Washers D.

Ensure all nuts are tight and parts are secure.

Using two capable adults, raise the stand so it is upright on its base.

If you haven't already done so, follow the instructions on filling your base to ensure it is weighed down correctly.

Adjusting the Basketball Stand Height

Remove Bolt 'D' from between the top and middle poles.

Slide the top pole up to your desired playing height and fix in place using Bolt 'D'. Tighten the bolt to ensure it is secure.

There are five different adjustment holes in the top pole where you can fix the bolt -

so there are five different playing heights available.



Warning!

Failure to comply with these warnings can lead to injury and/or damage of the basketball equipment.

- Do not allow children to hang from the hoop/rim, climb on the basketball base or up the pole
- Do not perform 'dunk' moves on this basketball stand as it is not designed for this purpose. During play ensure face does not come close to the backboard, rim or net as this could result in injury.
- Do not allow children to move or adjust the system
- Never leave the unit standing upright without proper weight in or on the base to support it
- Make sure you check the base frequently to ensure there is proper support for the stand (see the *Inspection and Maintenance* section below)
- Make sure the pole sections are correctly installed - failure to do this could cause the poles to separate during play or transportation
- The surface beneath the base must be smooth and free of gravel or other sharp objects - punctures cause leakage and could cause the system to tip over
- Check the system before use to make sure all fixtures and fittings are tight (see *Inspection and Maintenance* below)
- During play, do not wear jewellery (e.g. rings, watches, necklaces) objects may become entangled in the net
- Exposure to extreme or adverse weather conditions, corrosive materials such as salt, herbicides or pesticides or misuse of the stand could cause corrosion and result in the system failing
- This equipment is intended for home recreational use only and NOT excessive competitive play
- We recommend storing your stand in a cool, dry place to extend the life of your equipment

Inspection & Maintenance

We recommend the following inspection and maintenance.



Looking After Your Basketball Stand

Your basketball stand - just like any other outdoor play equipment - is designed to be used outside but without proper care and maintenance will not last as long as you might want.

Weekly to monthly / routine visual inspection


Check all nuts and bolts - if any are loose, tighten them where necessary.
Check the base for any cracks or leakage
Check all pole sections for visible rust and corrosion.


If you find any corrosion, rust, chips or cracks, use an emery cloth to remove the rust or chipped paint, and clean the area with a damp cloth. Once it is dry apply two coats of a rust preventative high gloss enamel paint (suitable for metal) to the area. Allow the paint to dry between coats and ensure it is completely dry before the stand is used.


1 -2 times per year / annual inspection


Check for rust and corrosion of nuts and bolts and replace with galvanised steel replacements where necessary.


Warning!


 **For family domestic use only. Not suitable for children under 3 years / 36 months because of small parts which could be a choking hazard. To be used under the supervision of an adult.**
Install the product in a way to avoid risk of entrapment - with sufficient gap between the product and other surfaces.

 **Warnung! Nur für den häuslichen Gebrauch. Für Kinder unter 3 Jahren / 36 Monaten der Deckel ist nicht geeignet, wegen verschluckbare Kleinteile. Durch verschluckbare Kleinteile besteht Erstickungsgefahr. Nur unter der direkten Aufsicht eines Erwachsenen benutzen. Bei der Montage des Produktes in ein Spielgerät oder eine andere Konstruktion muss sichergestellt werden, dass keine Fangstellen für Gliedmasse oder Kleidungsteile entstehen.**

 **Attention! Exclusivement à usage familial. Ne convient pas aux enfants de moins de 3 ans / 36 mois, présence de petits éléments susceptibles d'être ingérés ou inhalés - risque d'étouffement.. À utiliser sous la surveillance rapprochée d'un adulte. Au cas où l'on incorpore le produit dans un jeu ou une construction quelconque, il faudra le faire de façon à éliminer tout risque de coincage.**

 **iAdvertencia! Exclusivamente para uso doméstico. No conveniente para menores de 3 años / 36 meses - partes pequeñas con riesgo de ingestión o inhalación - riesgo de atragantamiento.. Se utilizará exclusivamente bajo la vigilancia directa de una persona adulta. La instalación de este producto en un juego infantil o otra construcción debe estar hecho así que peligro para quedarse atascado quede excluido.**

 **Attenzione! Solo per uso domestico. Non adatto ai bambini di età inferiore a 3 anni / 36 mesi - presenza di piccoli elementi suscettibili di ingestione o inalazione - pericolo di soffocamento.. Utilizzare sotto la sorveglianza diretta di un adulto. Effettuare il montaggio in modo che si eviti il rischio di intrappolamento.**

 **Waarschuwing! Alleen voor privé gebruik. Niet geschikt voor kinderen jonger dan 3 jaar / 36 maanden wegens kleine elementen met het risico op inslikken of inademen - verstikkingsgevaar. Alleen voor privé gebruiken onder toezicht van een volwassene. Het inbouwen van dit product in een speeltoestel of andere constructie dient zodanig te gebeuren dat voor beknelling uitgesloten is.**

Not just Basketball & Netball...

You may or may not be aware that Bee-Ball is exclusive to the retailer Big Game Hunters who not only have a huge range of high quality basketball and netball equipment but are also owners of the UK's leading sports ball retailer.

Sports Ball Shop

Part of the Big Game Hunters group 

Big Game Hunters' Sports Ball Shop sells a wide range of balls and sports training equipment including basketballs. To browse their range go to sportsballshop.co.uk.

Alongside a wide range of basketball and sports equipment Big Game Hunters also manufacture and sell a wide range of other outdoor toys, games and play equipment. Having been in the game since the year 1998 as a retailer we have a lot of experience and expertise in this area. That is why we are known as "@theplayexperts" on social media - come and find us to stay connected!

Some of our other ranges include...



The logo to look out for...

There are many more products we have created - just look out for our Big Game Hunters logo or flower emblem to be sure you have an official product. The brand is not just a logo, it is the whole family of ideas, service and quality that are behind every product. We are not a huge corporate and do not claim to be - we are proud of who we are and what we create so look out for our brand knowing that each product carrying our logo has a special standard we aim to maintain for years and years to come...



information on the products above and all of our products can be found at:

www.biggamehunters.co.uk

Big Game Hunters is the retail division of Garden Games Ltd.

Bee-Ball®

is exclusive to

Big Game Hunters:

+441865 392439

sales@biggamehunters.co.uk

biggamehunters.co.uk

@thePlayExperts

Please retain for future reference