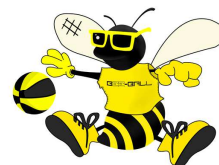
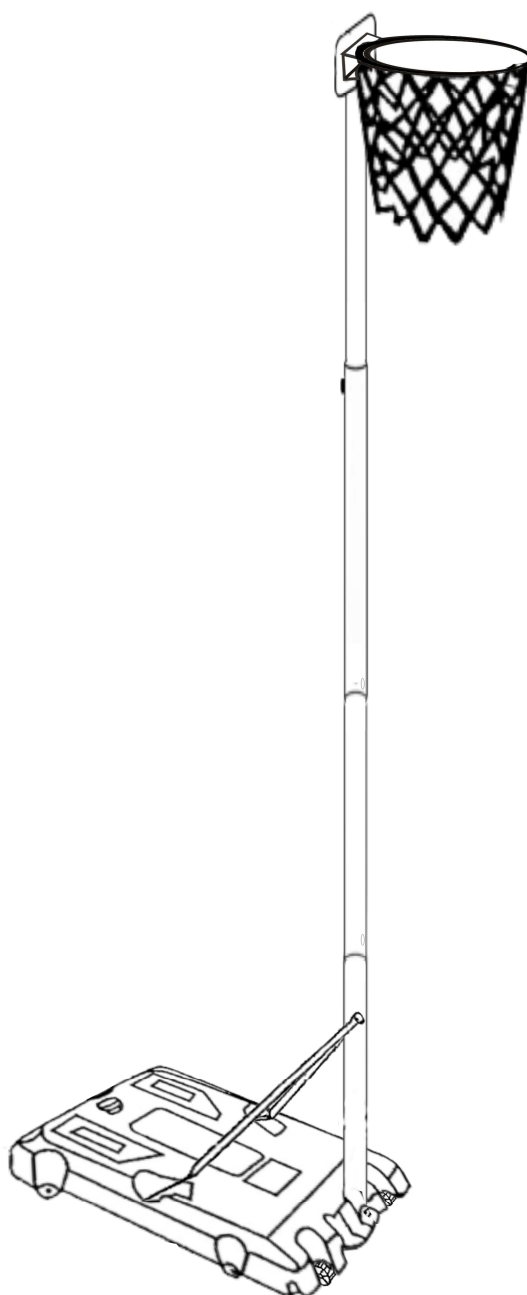


BEE-BALL

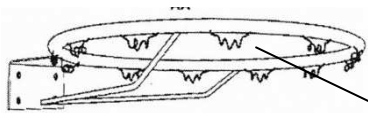


Instruction Manual for Bee-Ball Netball Stand 88101



**WARNING: IMPROPER
INSTALLATION OR SWINGING
ON THE RING MAY CAUSE
SERIOUS INJURY OR DEATH**

BEE-BALL

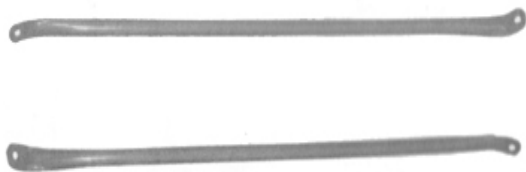


Rim #2



Base #1

Struts # 3



Net #4



Wheel Axle #5



Wheel #6



Top Pole #7



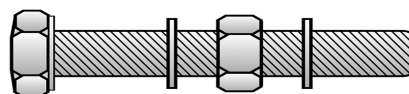
Adjustment Pole #8



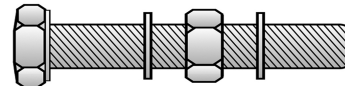
Middle Pole #9



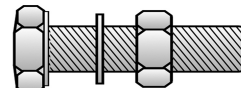
Bottom Pole #10



1 x 50mm Bolt #A



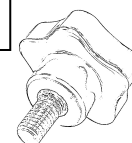
2 x 45mm Bolt #B



2 x 20mm Bolt #C

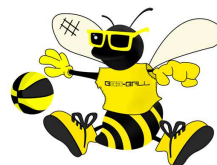


4 x 16mm Bolt #D

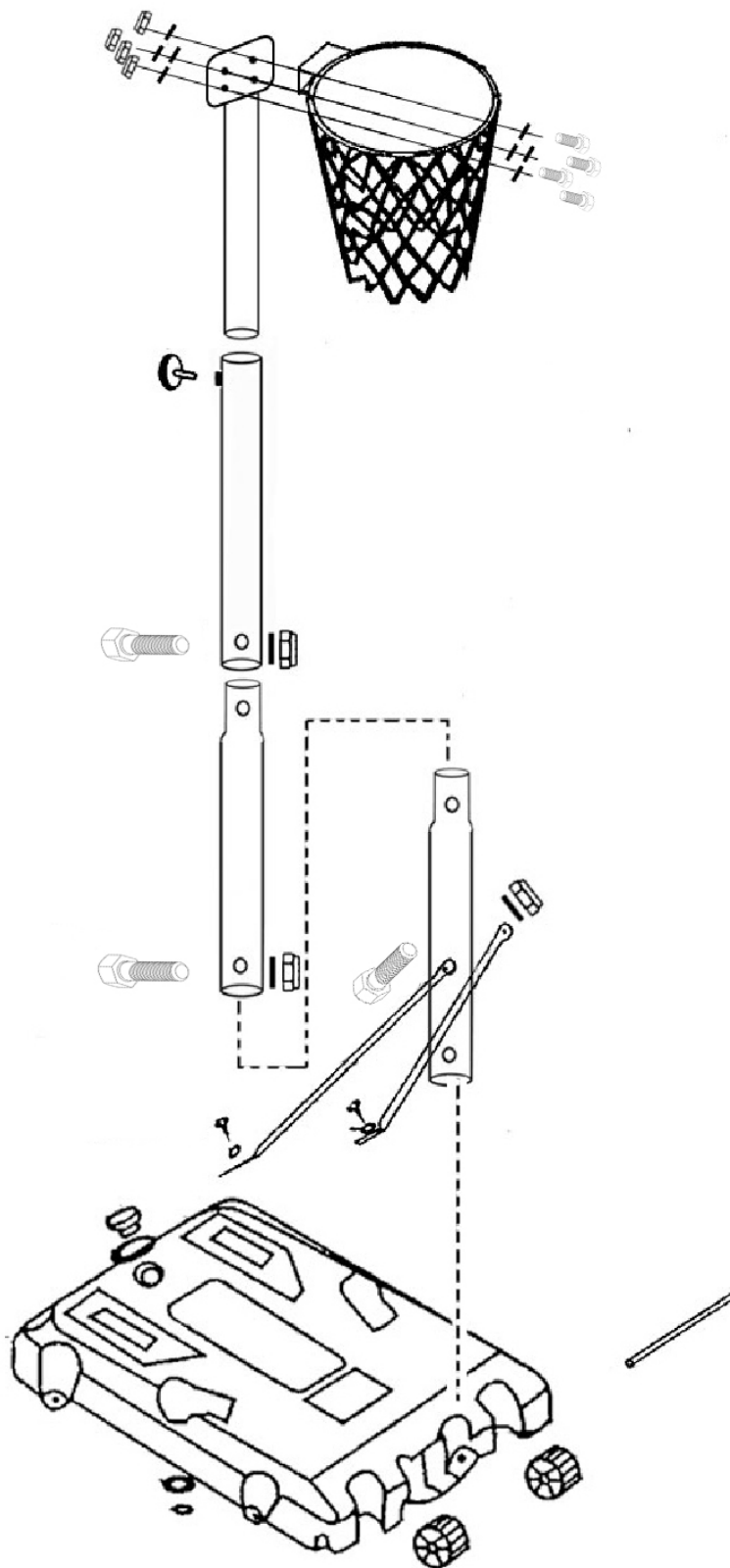


Hand Screw # E

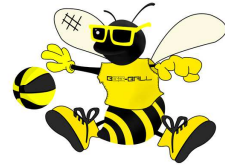
BEE-BALL



Overview, please see following pages for step by step instructions.



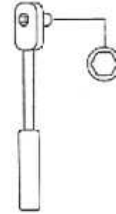
BEE-BALL



Tools Required:



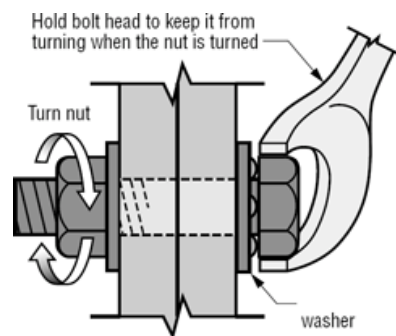
Spanner Set



Socket set

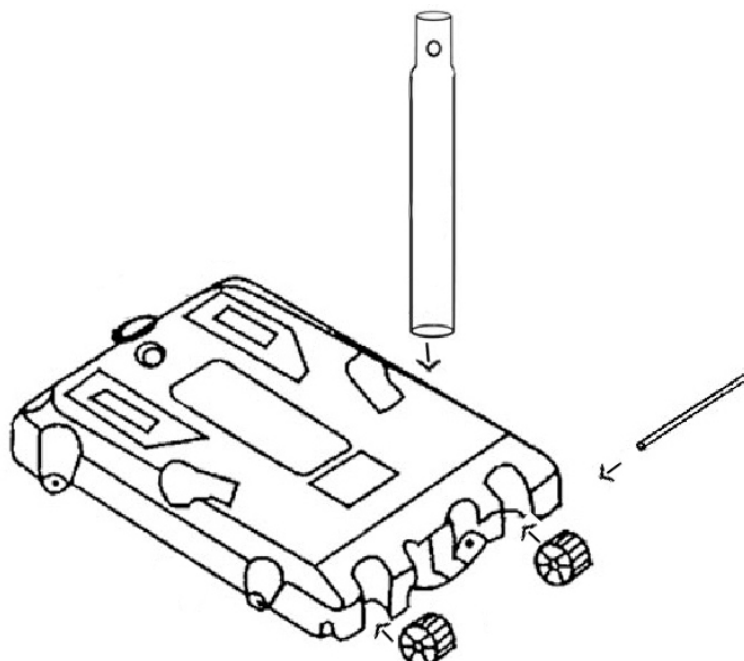
Tip

Please see advice below for correct nut and bolt assembly.



Assembly Instructions:

Step 1. Begin by putting the wheel axel (#5) through the base (#1) and the bottom pole (#10) and wheels (#6).

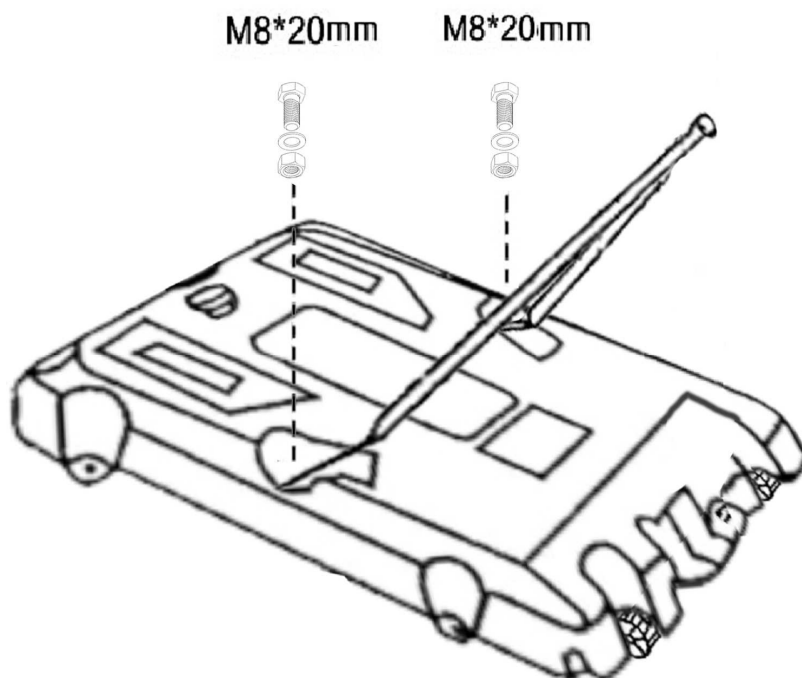


BEE-BALL



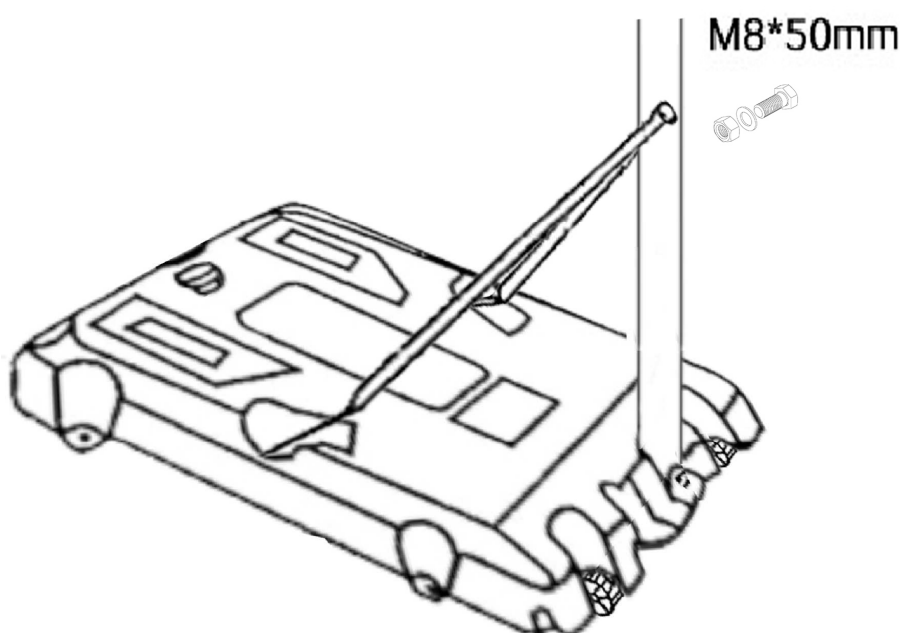
Step 2.

Now fix the support struts (#3) into the base and on to the bottom pole. Use the M8*20cm screws to attach struts to base.

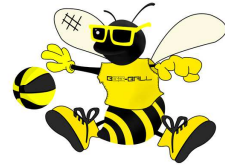


Step 3.

Now attach the uprights to the bottom pole using the M8*50mm bolt to fix into the pole.

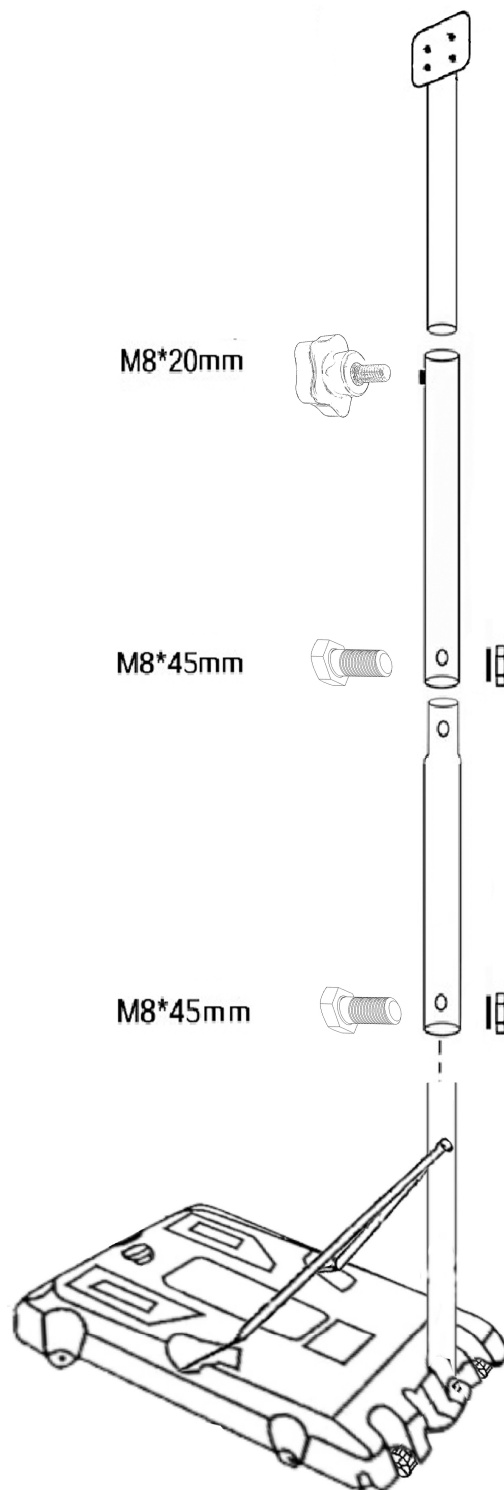


BEE-BALL

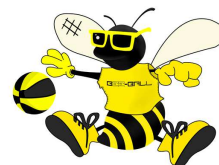


Step 4.

Assemble the next two upright poles as shown below using the M8*45mm bolts, the top pole is attached using the M8*20mm hand screw.



BEE-BALL

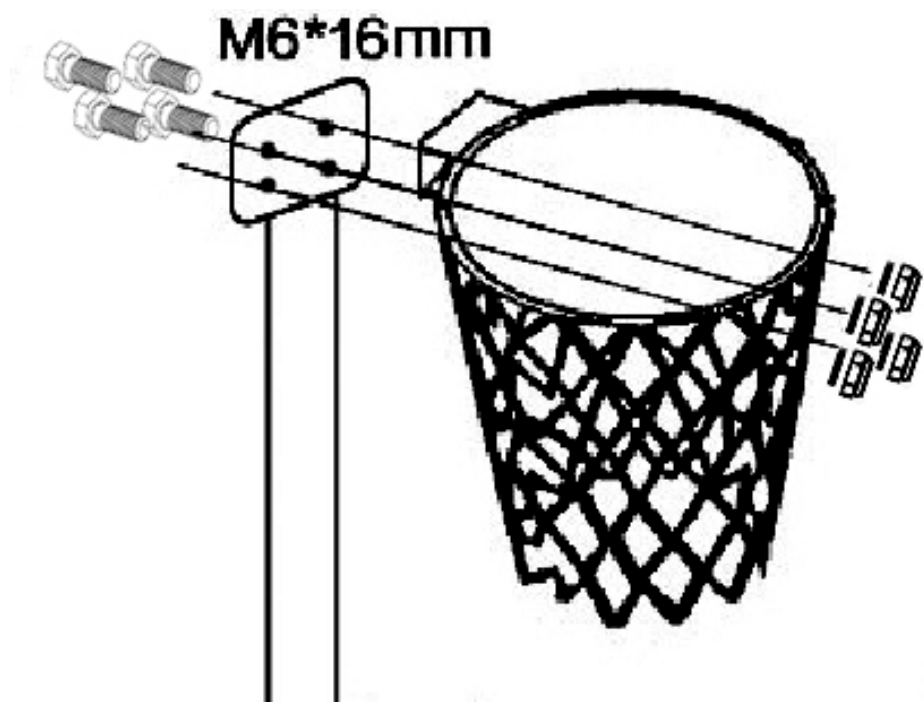


Tip. For the next step you might find it easier to lay the Netball Stand, it is always recommended to make sure the stand is secure to avoid injury.

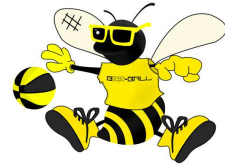


Step 5.

Fix the rim to the plate on the top pole using the 4 x M6*16cm bolts. At this stage it is best to attach the net too.



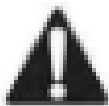
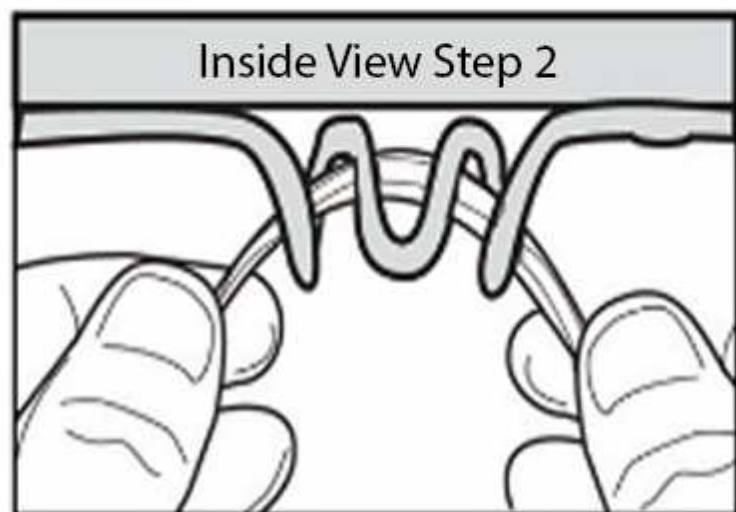
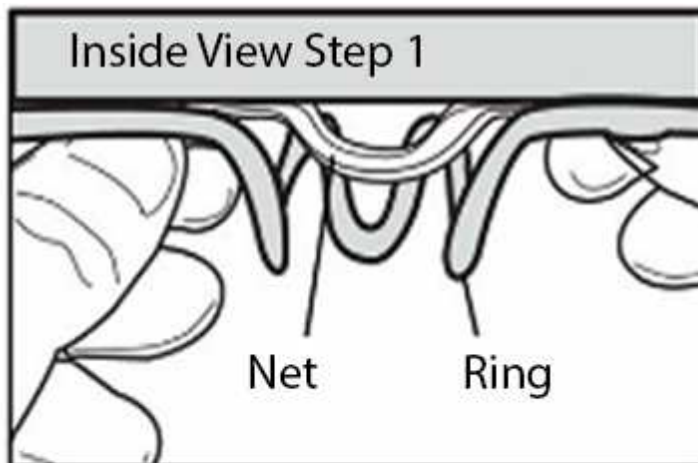
BEE-BALL



*Please note – Height of stand can be adjusted by turning the adjustment screw on the second from top pole and sliding the top pole up or down. Height can also be adjusted by removing one pole section.

Attaching the Net:

Step 6: Fit the net from the outside in, loop the net over the hook and then pull.

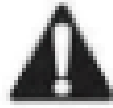
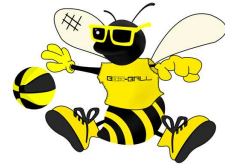


Installation and Care Instructions



- If using a ladder during assembly, use extreme caution.
- Climate, corrosion or misuse could result in system failure.
- Minimum operational height is 6'6" (1.98m) to the bottom of the backboard.

BEE-BALL



Safety Instructions



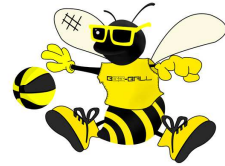
WARNING

Read and understand warnings listed below before using this product.
Failure to follow these warnings may result in serious injury and/or property damage.

Owner must ensure that all players know and follow these rules for safe operation of the system.

- Owner must ensure that all players know and follow the rules for safe operation of the system.
- Do not hang on the rim or any part of the system including the backboard, rim, support braces or net.
- During play, especially when performing dunk type activities, keep players face away from the backboard, rim and net. Serious injury could occur if teeth/face come in contact with the backboard, rim or net.
- During play do not wear jewellery (rings, watches, necklaces etc) Objects may entangle in the net.
- Check the system before each use for loose hardware, excessive wear and signs of corrosion and repair before use.
- Never play on damaged equipment.

BEE-BALL



Big Game Hunters,
Holly House, Pinewoods Road, Longworth, Oxon,
OX13 5HG

Tel: 01865 392439

e: sales@biggamehunters.co.uk

w: www.biggamehunters.co.uk

tw: @thePlayExperts

We like to ensure our products are quick and easy to assemble so you can start enjoying your purchase as soon as possible. If you have any recommendations on how the assembly instructions could be improved, please let us know. We greatly value your opinion; please email all recommendations to instructions@biggamehunters.co.uk for us to review.