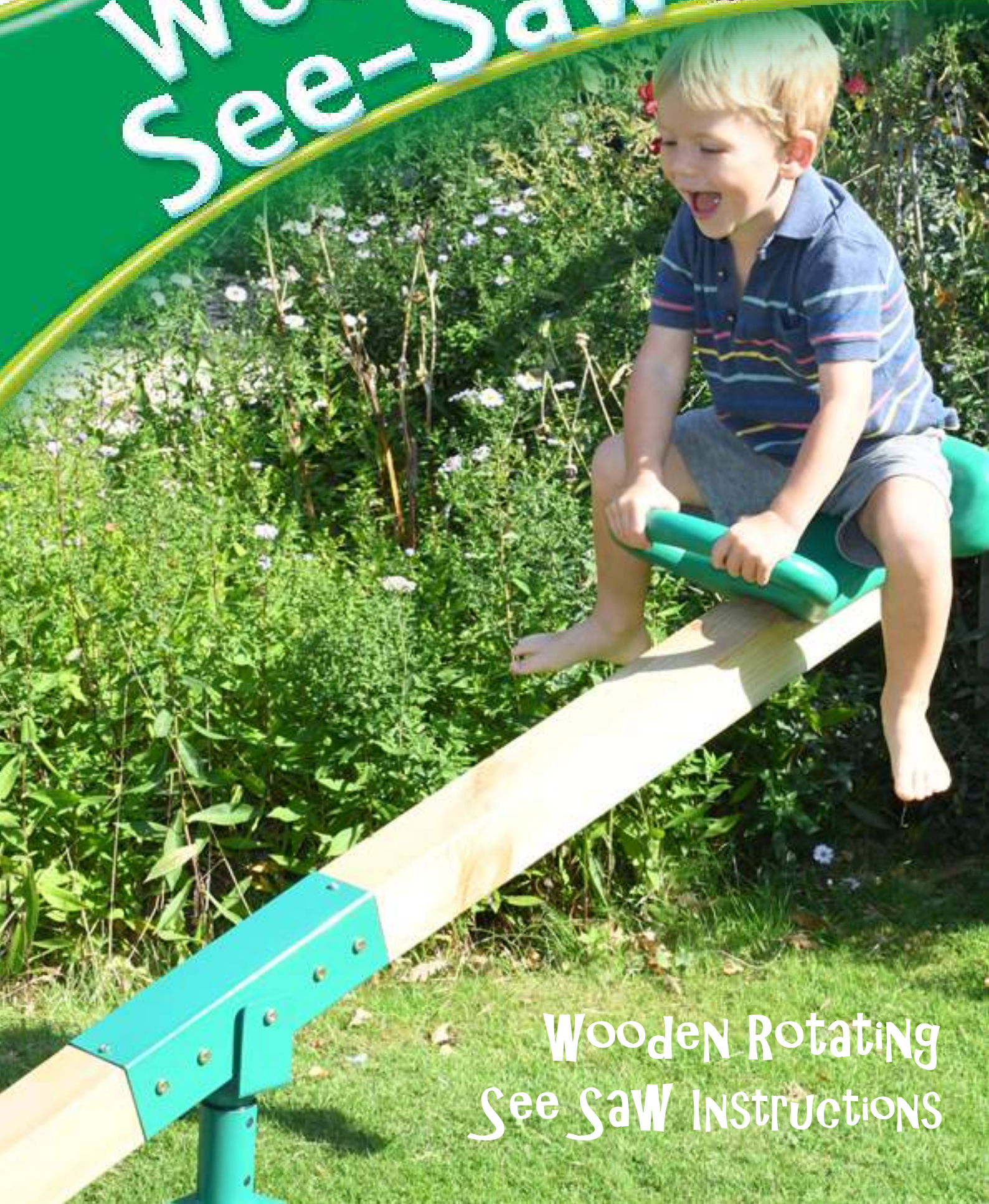


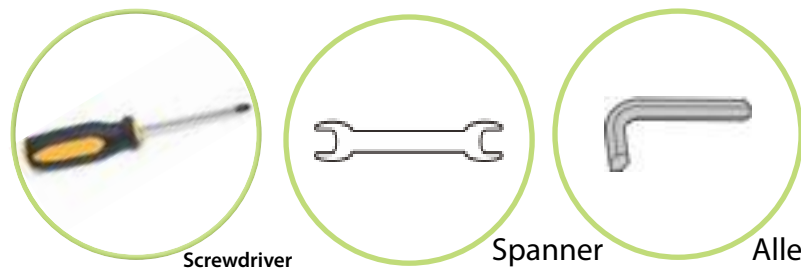
Big Game
hunters



Wooden See-Saw



Wooden Rotating
See Saw INSTRUCTIONS



Screwdriver

Spanner
(included)

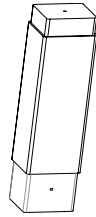
Allen Key
(included)

Tools Required
Benötigtes Material / Accessoires / Herramientas
Strumenti da lavoro / Benodigdheden

Adult Assembly Required

Parts Included
Unterteile / Liste des pièces / Lista de partes
Elenco degli elementi / Onderdelen

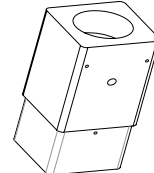
Part 1
Wooden Feet
(x4)



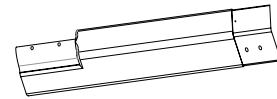
Part 2
5 Way Metal Bracket
(x1)



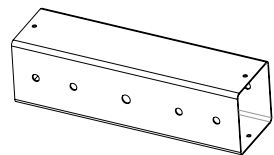
Part 3
Wooden Centre Post
(x1)



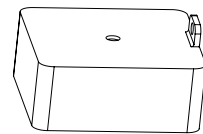
Part 4
Wooden Beams
(x2)



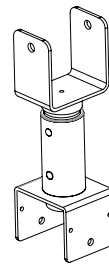
Part 5
Straight Metal Bracket
(x1)



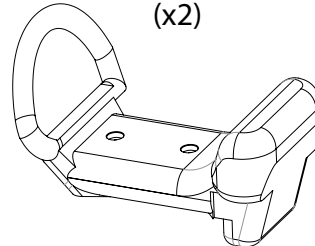
Part 6
Metal End Caps
(x4)



Part 7
Metal Pivot
(x1)



Part 8
Plastic Seats
(x2)



Ground Anchors x 4



Bolt A M10 x 95mm x 1



Bolts B M8 x 105mm x 4



Bolt C M8 x 95mm x 1



Bolts D M8 x 86mm x 4



Screws E M4 x 25mm x 22



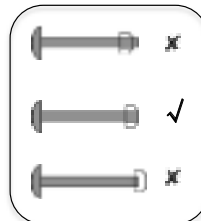
Nut A M10 Nut x 1



Nut B M8 Nut x 9



Rubber Washer x 2



Remember...

We strongly recommend looking after these instructions, after all without them it will be a bit tricky to put this product together. Even though we know our customers are more intelligent than most, we still think you may find these instructions useful.
But if something unexpected were to happen, such as,

Your dog ate them...

or your children constructed a kite out of them?

or your neighbour ran over them in their car?

You would have nothing to fear because we have uploaded all of our instructions to our website:
www.biggamehunters.co.uk

Before Installation

Check all parts are present!

Our factory takes every effort to make sure everything is packed in its proper place. But just in case a small part has gone astray please make sure you check every piece is present before you begin installing - right down to the screws.

Assemble with Care

Installation should be completed by two adults. Please make sure you follow all the instructions carefully. If you have any questions during installation please do not hesitate to contact us.

Please make sure you read all the safety warnings and advice in this instruction manual.

Install on a level surface and ensure it is at least 2m away from other structures and obstacles such as houses, garages, fences, branches, clothes lines or electrical wires. Never place on a wet or loose surface.

Never place on a hard surface like concrete or asphalt. A fall onto a hard surface like this could result in serious injury. Any modifications made by the consumer must be carried out according to the manufacturer's instructions.

Please follow the warnings to ensure proper use of this see-saw and ultimately to ensure full enjoyment!

1

Assemble the Cross Base

You will need:

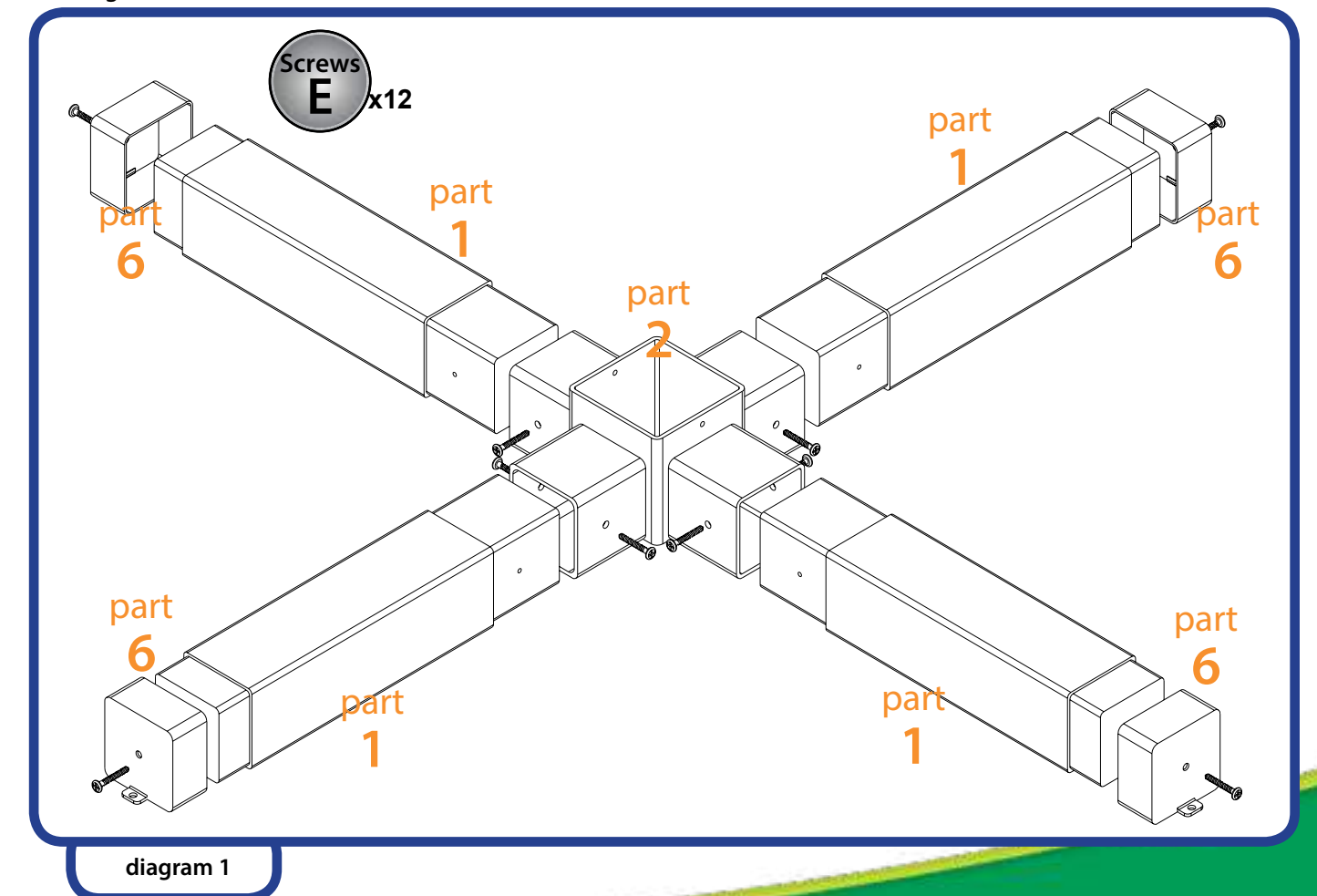
4 x Parts 1 (Wooden Feet)

1 x Part 2 (5 Way Metal Bracket)

4 x Parts 6 (Metal Caps)

12 x Screws E (25mm)

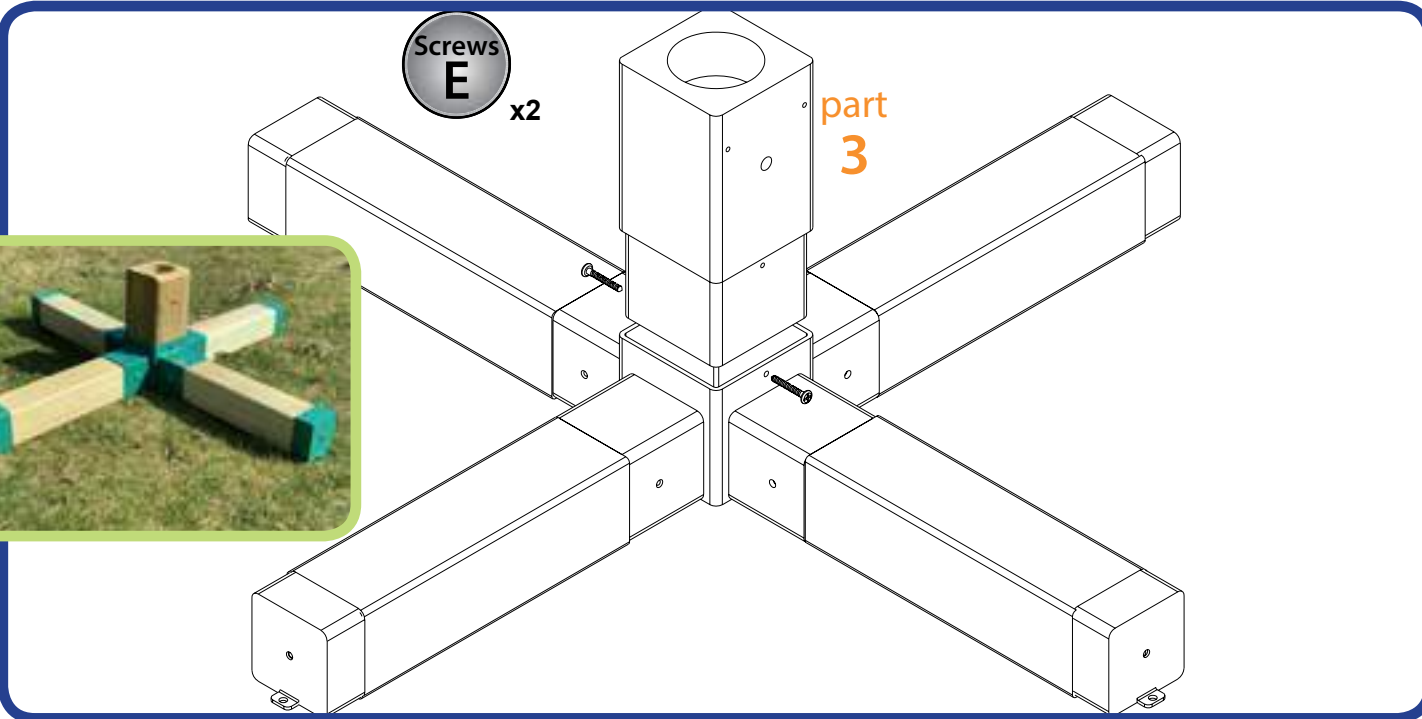
Insert one Part 1 (wooden foot) into one of the square horizontal holes in the 5 way metal bracket - Part 2. Secure in place using two Screws 'E' (see diagram 1). Repeat for the other 3 wooden feet to form a cross base. Attach the four Parts 6 (metal caps) to the other ends of the wooden feet using four Screws 'E'. Make sure the holes for the ground anchors are all on the bottom.



2**Attach the Centre Post***You will need:*

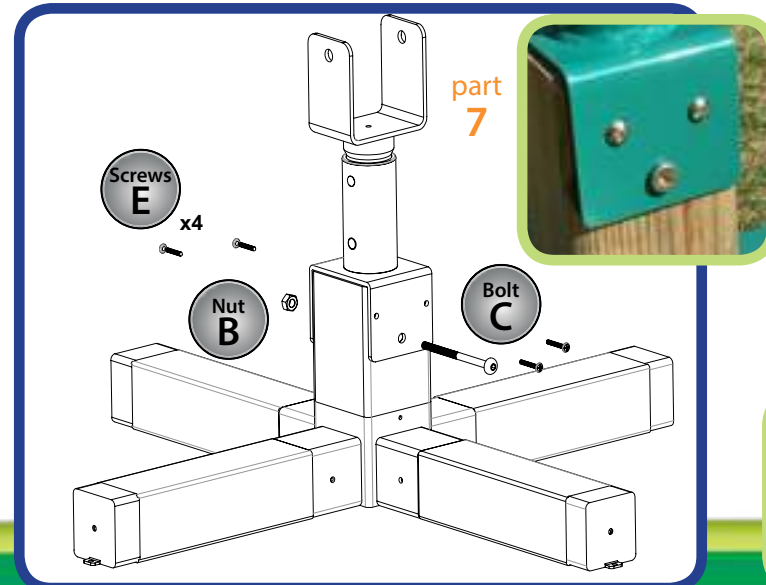
- Assembled parts from Step 1
- 1 x Part 3 (wooden centre post)
- 2 x Screws 'E' (25mm)

Insert Part 3 (wooden centre post) into the vertical hole in the 5 way metal bracket - Part 2. Secure in place with two Screws 'E'.

**3****Attach the Pivot***You will need:*

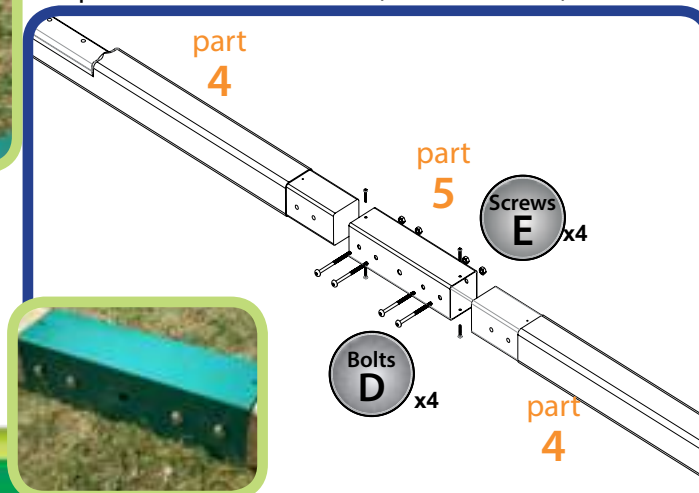
- Assembled parts from Steps 1 & 2
- 1 x Part 7 (metal pivot)
- 1 x Bolt C (95mm)
- 1 x Nut B (M8)
- 4 x Screws E (25mm)

Place Part 7 (metal pivot) into the top of the wooden centre post - Part 3. Insert Bolt C through the large hole in the metal pivot and wooden centre post and fix with one Nut B using the allen key and spanner provided. Secure the metal pivot in place with four Screws 'E'.

**4****Assemble the Beam***You will need:*

- 2 x Parts 4 (Wooden Beams)
- 1 x Part 5 (Straight Metal Bracket)
- 4 x Bolts D (86mm)
- 4 x Screws E (25mm)
- 4 x Nuts B (M8)

Insert the square end of one Part 4 (wooden beam) into Part 5 (straight metal bracket) ensuring the curved end is facing upwards at the other end of the beam. Insert two Bolts D through the holes in the metal bracket and secure with two Nuts B using the allen key and spanner to tighten them. Secure in place with two Screws 'E' as shown in diagram. Repeat for the other Part 4 (wooden beam).

**5****Attach the Beam***You will need:*

- Assembled parts from Steps 1-3
- Assembled parts from Step 4
- 1 x Bolt A (M10 x 95mm)
- 1 x Nut A (M10)
- 2 x Rubber Washers

Insert Bolt A through the hole in the top of Part 7 (metal pivot), one rubber washer, the assembled wooden beam, the other rubber washer and the hole in the other side of Part 7 (metal pivot). Secure with Nut A and tighten using the allen key and spanner.

Tip! - Only fit one rubber washer first. As you tighten the Bolt, the rubber washer will sink into the hole in Part 5 (straight metal bracket). You can then remove the bolt and fit the second rubber washer between the other side of the beam and the other side of the metal pivot as well.

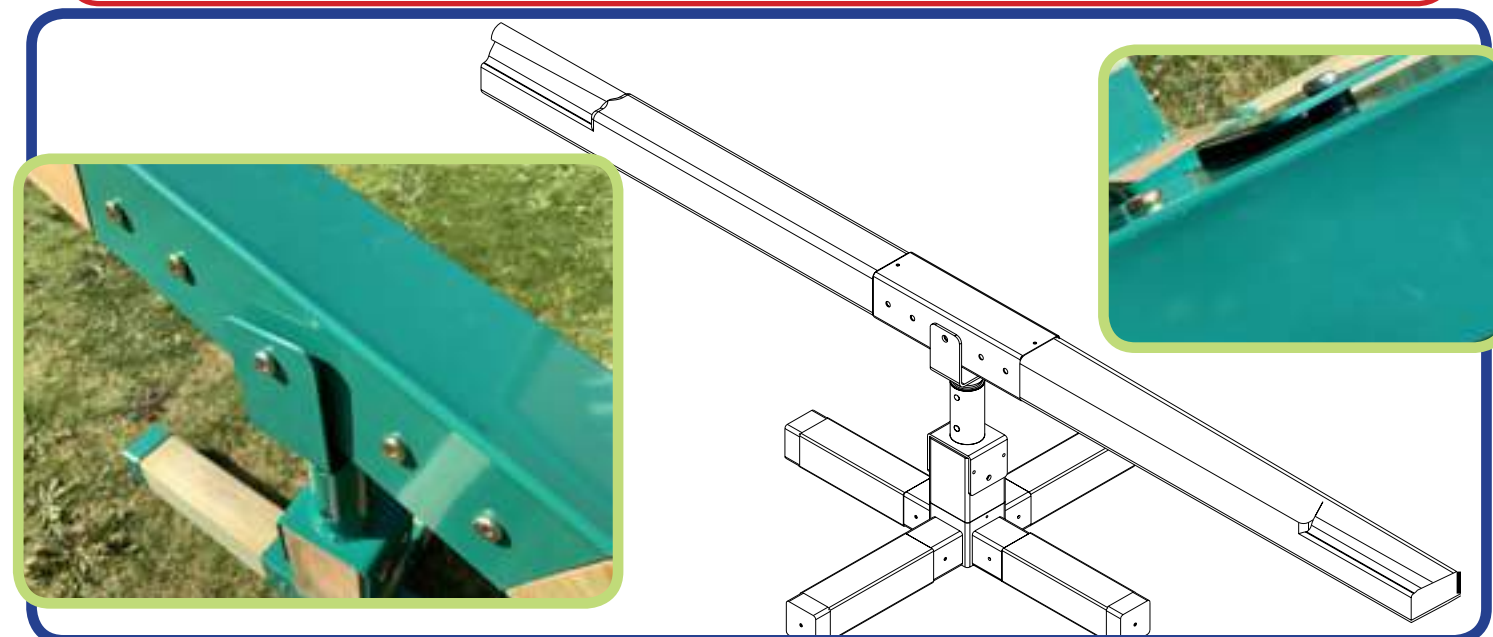


diagram 5

6**Attach the Seats***You will need:*

- Assembled parts from Step 5
- 2 x Parts 8 (Plastic Seats)
- 4 x Bolts B (105mm)
- 4 x Nuts B (M8)

Place one Part 8 (plastic seat) on top of one moulded end of the wooden beam with the handle closest to the centre of the beam. Insert two Bolts B into the seat and through the wooden beam. Secure with two Nuts B and tighten with the allen key and spanner. Repeat for the other Part 8 (plastic seat).

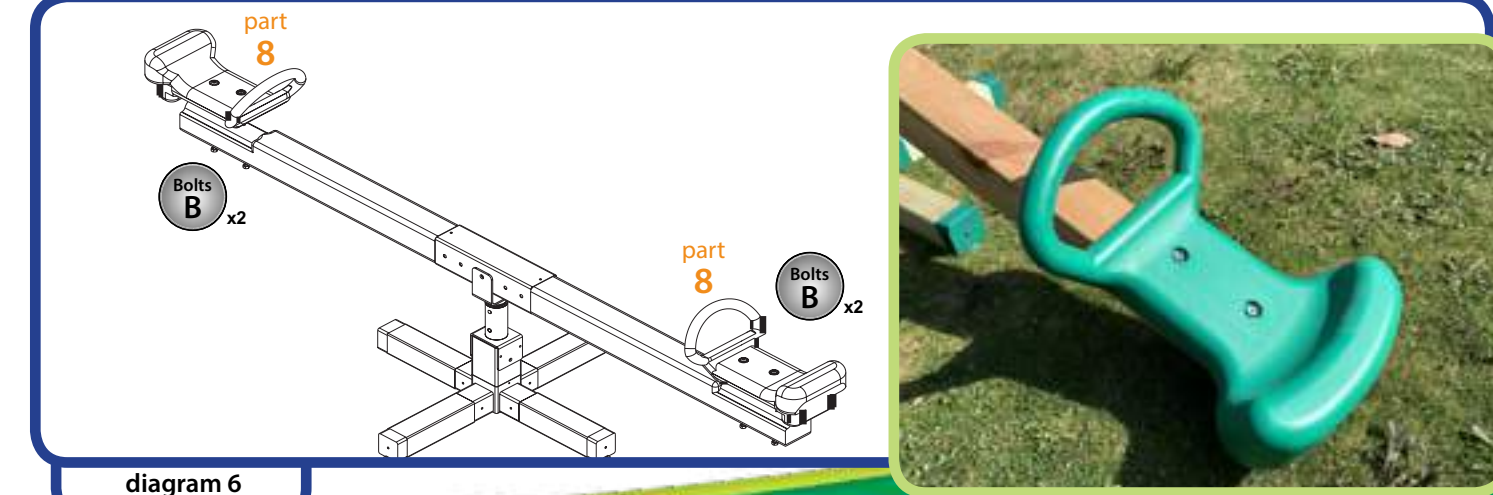


diagram 6

The Finale

Secure the See-Saw in Place

Now your see-saw is complete, you simply need to decide where to place it. Please refer to the Before Installation section for advice. The see-saw should be placed on a suitable ground surface such as grass or a play mat. Secure the cross base in place with the four ground anchors. We now recommend you tighten all screws and ensure the nuts are correctly attached to the bolts as shown in the diagram in the parts list.

When you have your see-saw in position we would recommend you go round all the screws and bolts again to make sure they are all tight as they can loosen slightly when you move the see-saw.

Ground Anchors



Inspection & Maintenance

We recommend the following inspection and maintenance.



Looking After Your See-saw

Your See-saw is made of good quality pine wood. It has been treated to keep it looking good in your garden and to protect it from the elements. Despite this it should be covered in severe weather conditions. We recommend re-treating it regularly to prolong its life and keep it looking good too.

We would recommend a non-toxic wood stain - preferably tested to meet EN71 safety regulations (these are European children's play equipment safety rules).

Avoid products which contain ANY of the following:

antimony, arsenic, barium, cadmium, chromium, lead, mercury and selenium.

Wood is Natural - so we accept its quirks, naturally!

There will be a reason you have bought a wooden toy and not a plastic one. Like us, you are likely to appreciate the beauty and quality that a wooden product can give. They are also a little kinder on the environment than plastic products. As with all wooden products, some variation in colour may be apparent and the wood will expand and shrink in wet and dry conditions. As a result of this natural expanding and contracting some cracks and splits may occur which is normal and nothing to worry about - it just shows it is a natural product.

So please accept these quirks, and look after it - it deserves your care and attention!

Weekly to monthly / routine visual inspection

Check wood for splinters which may occur - these could hurt little hands or become a choking hazard.

Check for loose screws and fixings and tighten where and when necessary.


1 - 3 Months / operational inspection

Check the stability of the construction


1 - 2 times per year / annual inspection


Check for rust and corrosion of bolts and screws and replace where necessary.


Warnings!


 **Not suitable for children under 3 years due to lack of extra safety precautions – risk of falling!**
Only for domestic use. Only suitable for children aged 3 - 12 years. Suitable for outdoor use.
Suitable for a maximum 2 users aged 3 – 12 years each with a maximum weight of 50kg.
To be used under the direct supervision of an adult.

 **Warnung! Für Kinder unter 36 Monaten nicht geeignet. Sturzgefahr! Der Artikel ist geeignet für Personen 3-12y mit einem Gewicht bis 50 Kg. Nur für den häuslichen Gebrauch. Nur unter der direkten Aufsicht eines.**

 **Attention! Ne convient pas aux enfants de moins de 36 mois. Danger de chute! Le produit convient pour des personnes avec 3-12ans un poids jusqu'à 50 kg. Exclusivement à usage familial. À utiliser sous la surveillance rapprochée d'un adulte.**

 **iAdvertencia! No conveniente para menores de 36 meses. Riesgo de caída! El producto es adecuado para personas con 3-12 años un peso de hasta 50 kilogramos. Exclusivamente para uso doméstico. Se utilizará exclusivamente bajo la vigilancia directa de una persona adulta.**

 **Attenzione! Non adatto ai bambini di età inferiore a 36 mesi. Rischio di caduta! Il prodotto è adatto a persone con 3-12 anni un peso fino a 50 kg. Solo per uso domestico. Utilizzare sotto la sorveglianza diretta di un adulto.**

 **Waarschuwing! Niet geschikt voor kinderen jonger dan 36 maanden. Valgevaar! Het product is geschikt voor personen met een gewicht tot 50 kg. Alleen voor privé gebruik. Alleen voor privé gebruiken onder toezicht van een volwassene.**

ARE YOU a PLAY EXPERT?

Take a photo and share it with us using #littleplayexpert or #bigplayexpert and be part of our growing network of play experts! Thousands of people every day are showing us that they are truly expert at play and playing in so many different ways - are you?



42 likes

@theplayexperts Literally jumping for joy! I think we are seriously #bigplayexpert s ! #nevertooold #foreveryoung



107 likes

@theplayexperts our niece and daughter enjoying a game at a family wedding. Never too young for chess!



94 likes

loving the hi tower challenge @theplayexperts - its harder than it looks! #bigplayexpert #littleplayexpert



51 likes

The concentration on their faces! #littleplayexpert @theplayexperts

Not Just SEE-saws...

You may or may not be aware that we design and make many different kinds of garden games and play equipment.

Big Game Hunters has been designing and creating games for children and families since 1997 - so by now we really do know what we are doing.

Here are just a few that are great for the whole family as well as just the kids...

The Parachute Game



Café Shop Playhouse



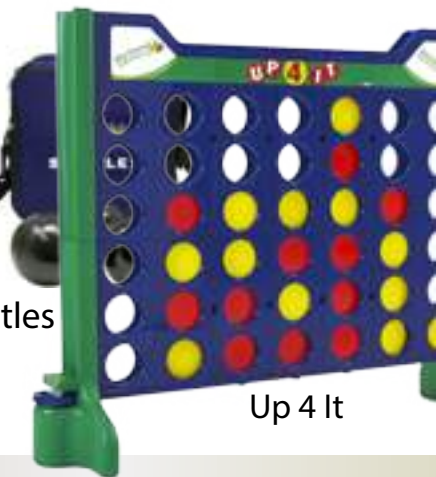
Hardwood Boules



Wooden Skittles



Up 4 It



The logo to look out for...

There are many more products we have created - just look out for our Big Game Hunters logo or flower emblem to be sure you have an official product. The brand is not just a logo, it is the whole family of ideas, service and quality that are behind every product. We are not a huge corporate and do not claim to be - we are proud of who we are and what we create so look out for our brand knowing that each product carrying our logo has a special standard we aim to maintain for years and years to come...



Random Factoid Bubbles

"See Saw Margery Daw" is a popular English language nursery rhyme, folksong and playground singing game. The rhyme first appeared in its modern

form in Mother Goose's Melody, published in London c.1765



Please retain for future reference

+441865 392439
sales@biggamehunters.co.uk
biggamehunters.co.uk
@theplayexperts

