

Big Game
hunters



Sandpits



Car Sandpit
INSTRUCTIONS



Screwdriver



Socket Set

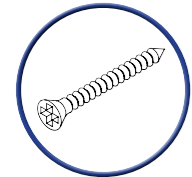
Tools Required

Benötigtes Material / Accessoires / Herramientas
Strumenti da lavoro / Benodigdheden

Adult Assembly Required

Parts Included

Unterteile / Liste des pièces / Lista de partes
Elenco degli elementi / Onderdelen



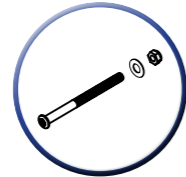
Screw A
3 x 30mm
(28 x)



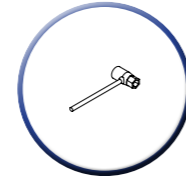
Screw B
3 x 18mm
(16 x)



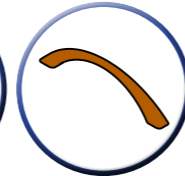
Screw C
4x20 mm
(2 x)



Bolt D
8x50 mm
(1 x)



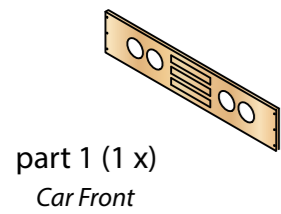
Part E
Tool



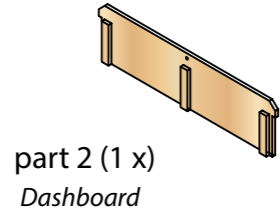
Part F
Handle



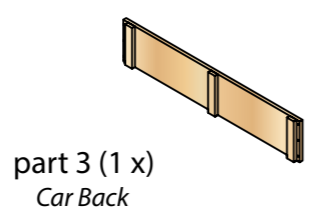
Part G
Steering
Wheel



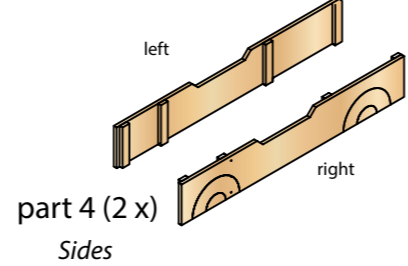
part 1 (1 x)
Car Front



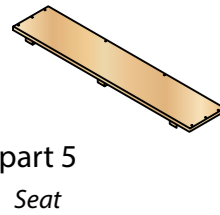
part 2 (1 x)
Dashboard



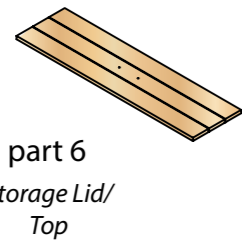
part 3 (1 x)
Car Back



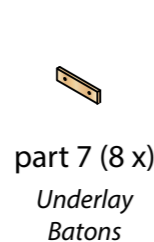
part 4 (2 x)
Sides



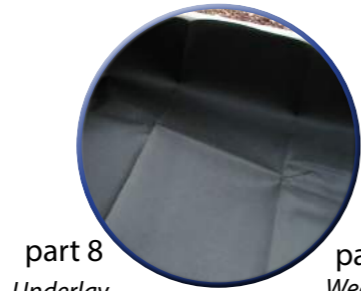
part 5
Seat



part 6
Storage Lid/
Top



part 7 (8 x)
Underlay
Batons



part 8
Underlay



part 9
Weather
Cover

Remember...

We strongly recommend looking after these instructions, after all without them it will be a bit tricky to put this product together. Even though we know our customers are more intelligent than most, we still think you may find these instructions useful.
But if something unexpected were to happen, such as,



You would have nothing to fear because we have uploaded all of our instructions to our website:
www.biggamehunters.co.uk

1

Building the Frame

You will need:

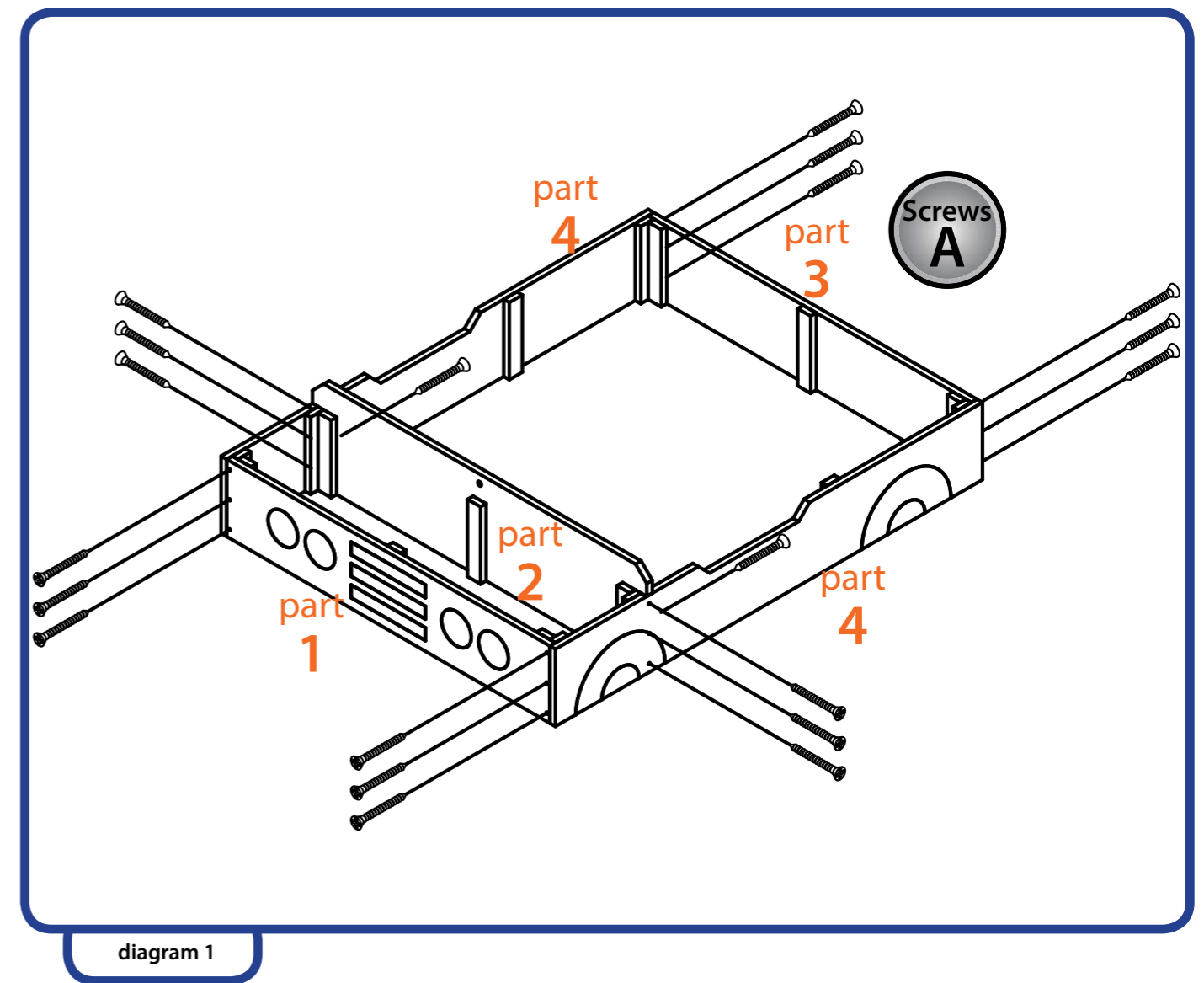
- 1 x Part 1 (Front), 1 x Part 2 (Dashboard)
- 1 x Part 3 (Back), 2 x Parts 4 (Sides)
- 20 x Screws 'A' (3 x 30mm)

Fix the front of the car (part 1) to the sides (parts 4) using three screws A on each side.

Slot part 2 behind part 1, flush with the batons on parts 4. Secure in place using three screws A on each side.

Now fix the back (part 3) to the sides (parts 4) using three screws A on each side.

Secure part 2 to the sides with one screw at each end - as shown in the diagram. This will go in from back to front, through part 2 and into the end batons.



2

Fix the Underlay

You will need:

Main Sandpit Frame (as assembled in Step 1)

Part 8 (underlay)

8 x Parts 7 (batons)

16 x Screws 'B' (3 x 18mm)

Place the underlay (part 8) inside and push it into all four edges of the frame, so it curves up the walls.

Now, use the batons (parts 7) to fix the underlay to the walls; use two batons on each side and two screws B for each.

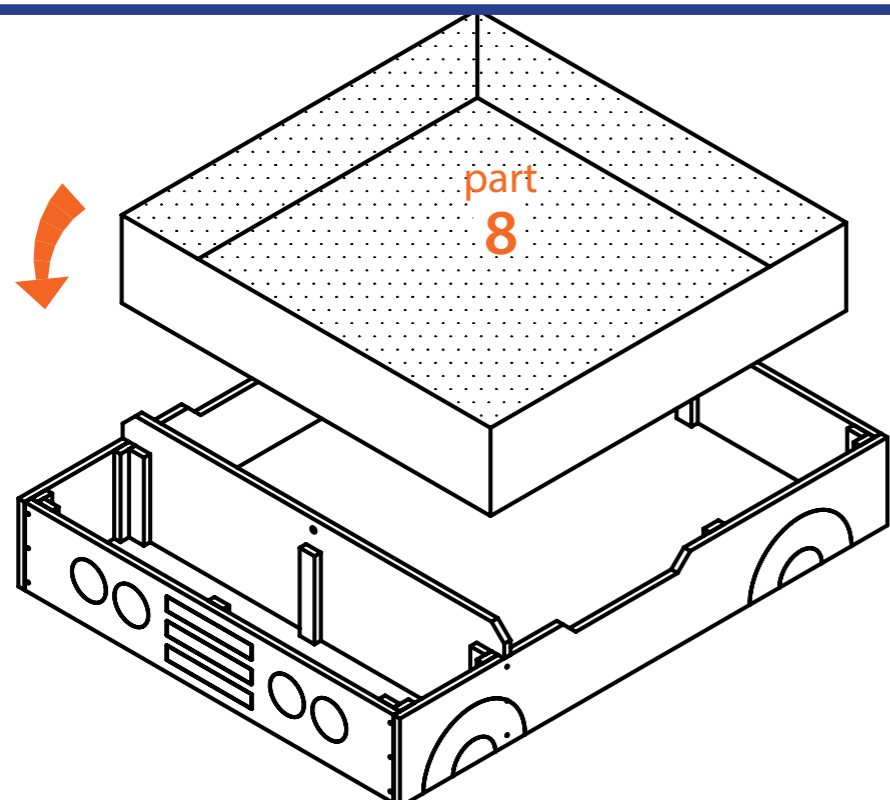


diagram 2a

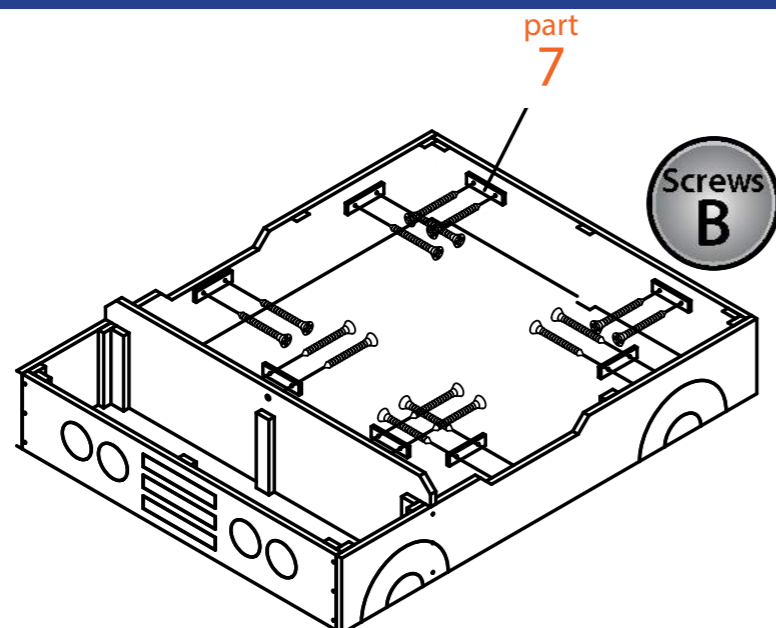


diagram 2b

3

Add the Car Boot

You will need:

1 x Part 5 (bench seat)

8 x Screws 'A' (3 x 30mm)

Fix part 5 (bench seat) to the back; screw down into the sides and back (parts 3 and 4), using eight screws A as shown.

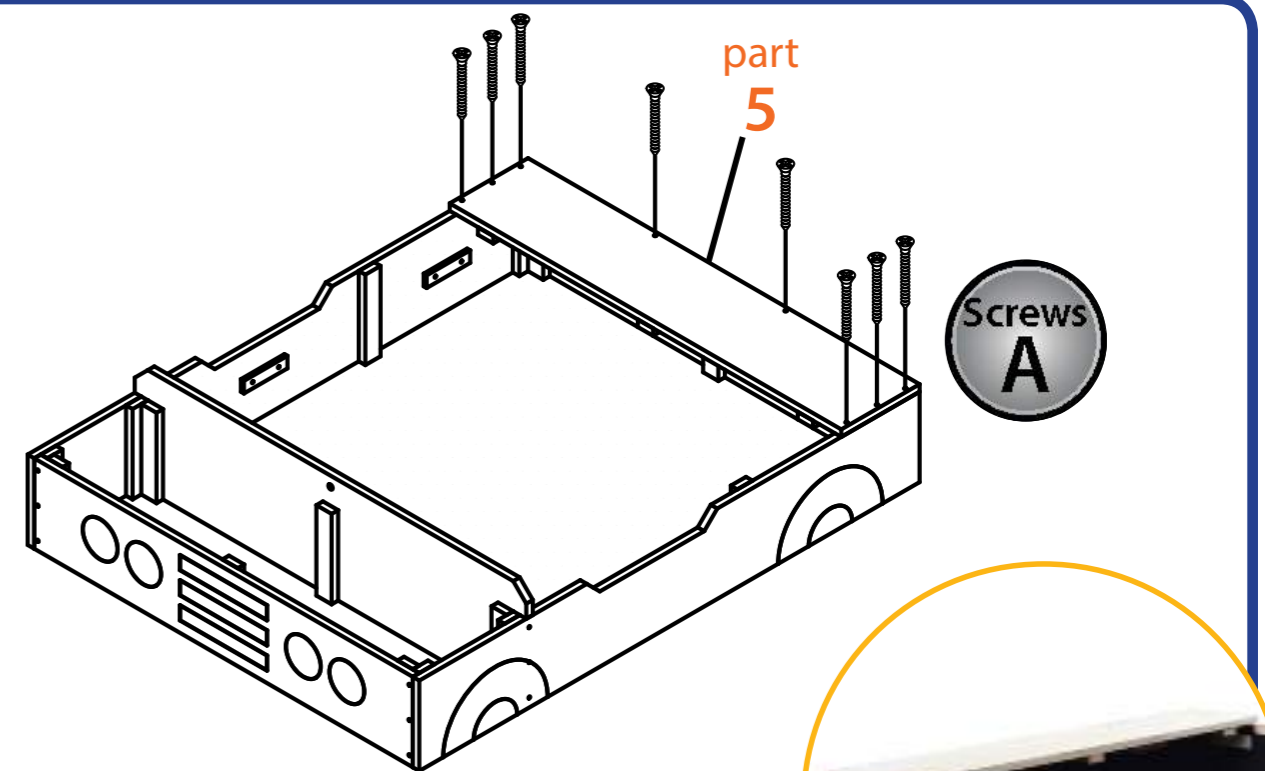


diagram 3



4

Add the Steering Wheel

You will need:

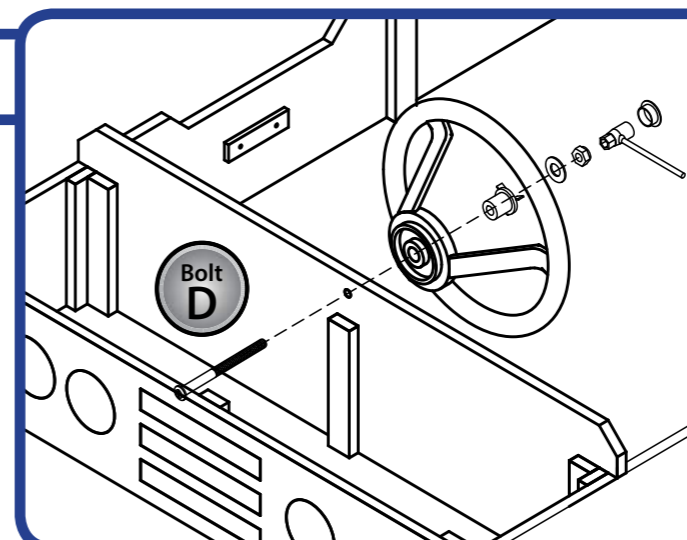
Part G (steering wheel), Part E (tool)

Bolt 'D'

Line the steering wheel up with the hole in the dashboard (part 2). Fix bolt D through the back of the dash panel (part 2) and into the back of the steering wheel.

Using the tool - part E - tighten the nut onto bolt D while placing the front pieces of the the steering wheel in place - see diagram 4.

diagram 4



Adding the Car Bonnet (lid for storage)

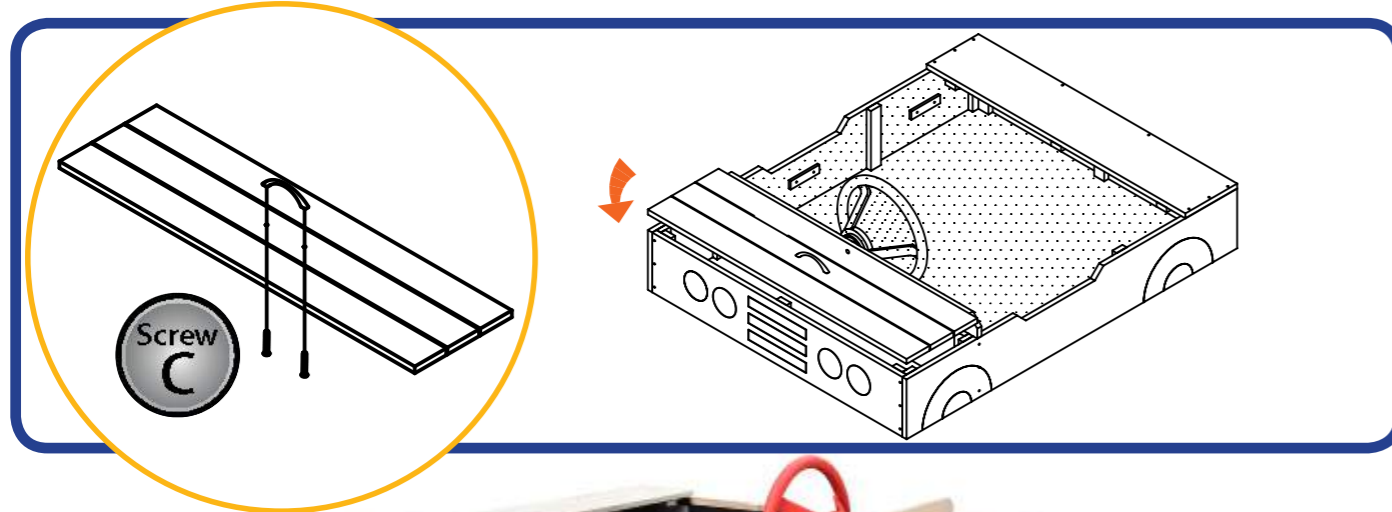
You will need:

- 1 x Part 6 (Storage Lid)
- 1 x Part F (Handle)
- 2 x Screws 'C' (4 x 20mm)

Add the handle (part f) to part 6 and secure from underneath using two screws C.

Lift the lid and place it on top of the sandpit - at the front of the car as shown in the pictures. To use this area for storage, carefully lift the lid placing it to one side - then replace the lid gently when you have finished.

Don't allow little ones to remove the lid themselves and be vigilant for little fingers when replacing the lid.



The Finale

Now your sandpit is complete, you simply need to decide where you are going to place it.

Place the activity toy on a level surface at least 2m from any structure or obstruction such as a fence, garage, house, overhanging branches, laundry lines or electrical wires.

Do not place on concrete, asphalt or any other hard surface.

Any modifications made by the consumer must be carried out according to the manufacturer's instructions.

We would now recommend you go round all the screws and bolts to make sure they are all tight as they can loosen slightly when you move the sandpit. Fill the sandpit with sand and it is now ready to use.

When the sandpit is not being used...

Don't forget to put the showerproof cover on when the sandpit is not being used. The cover will help to protect it, keep it looking good and keep leaves, debris and cheeky little animals out of the sand!

An item with a height greater than the sandpit can be placed in the centre of the sandpit before the cover is placed on top.

This will prop up the cover and allow water to run off and prevent "puddling".

Should water accumulate and form a pool, please ensure this water is removed regularly as the water can pose a danger to children.

If your sand gets particularly wet, make sure you take the cover off on the first sunny day in spring and allow your sand to dry out.

You may want to replenish the play sand in your sandpit every year as it can get dirty and often gets thrown out through enthusiastic play!



Inspection & Maintenance

We recommend the following inspection and maintenance.



Looking After Your Sandpit

Your Car Sandpit is made of good quality Fir wood. It has been treated to keep it looking good in your garden and to protect it from the elements. Despite this it should be covered in severe weather conditions. We recommend re-treating your sandpit regularly to prolong its life and keep it looking good too. We would recommend a non-toxic wood stain - preferably tested to meet EN71 safety regulations (these are European children's play equipment safety rules). Avoid products which contain ANY of the following: antimony, arsenic, barium, cadmium, chromium, lead, mercury and selenium.

Wood is Natural - so we accept its quirks, naturally!

There will be a reason you have bought a wooden sandpit and not a plastic one. Like us, you are likely to appreciate the beauty and quality that a wooden product can give. They are also a little kinder on the environment than plastic products. As with all wooden products, some variation in colour may be apparent and the wood will expand and shrink in wet and dry conditions. As a result of this natural expanding and contracting some cracks and splits may occur which is normal and nothing to worry about - it just shows it is a natural product. So please accept these quirks, and look after it - it deserves your care and attention!

Weekly to monthly / routine visual inspection

Regularly check the sandpit for splinters - these could hurt little hands or become a choking hazard. Check for any signs of wear and tear. It is important to regularly check all parts, including the crossbeams, supports and panels. If regular checks on the sandpit are not carried out, the unit could overturn or otherwise become a hazard. It is important to check all screws and tighten or replace where necessary.

The following inspection and maintenance should be carried out after assembly and then at least twice a month while in use and at the start of each season; -check all nuts and bolts for tightness and tighten when required;- check all bolts for sharp edges and replace when required;- replace defective parts in accordance with the manufacturer's instructions.

Warnings!

Only for domestic use. To be used under the supervision of an adult. Intended for outdoor use by children aged 12 months - 12 years. Install the product in a way to avoid risk of entrapment - with sufficient gap between the product and other surfaces. Cover not suitable for children under 3 years / 36 months because of small parts which could be a choking hazard. This product is suitable for 1-4 users with a combined weight of 200kg.

Warnung! Nur für den häuslichen Gebrauch. Nur für Kinder zwischen 12 Monaten - 12 Jahren geeignet. Für vier Kinder mit einem Gesamtgewicht von 200 kg ausgelegt. Für Kinder unter 3 Jahren / 36 Monaten der Deckel ist nicht geeignet, wegen verschluckbare Kleinteile. Durch verschluckbare Kleinteile besteht Erstickungsgefahr. Nur unter der direkten Aufsicht eines Erwachsenen benutzen. Bei der Montage des Produktes in ein Spielgerät oder eine andere Konstruktion muss sichergestellt werden, dass keine Fangstellen für Gliedmasse oder Kleidungstelle entstehen.

Attention! Exclusivement à usage familial. Conçu pour les enfants entre 12 mois - 12 ans seulement. Conçus pour être utilisés par quatre enfants avec un poids combiné de 200kg. La couverture ne convient pas aux enfants de moins de 3 ans / 36 mois, présence de petits éléments susceptibles d'être ingérés ou inhalés - risque d'étouffement.. À utiliser sous la surveillance rapprochée d'un adulte. Au cas où l'on incorpore le produit dans un jeu ou une construction quelconque, il faudra le faire de façon à éliminer tout risque de coincage.

¡Advertencia! Exclusivamente para uso doméstico. Diseñada para niños de entre 12 meses -12 años solamente. Diseñada para ser utilizados por cuatro niños con un peso combinado de 200 kg. La cubierta no conveniente para menores de 3 años / 36 meses - partes pequeñas con riesgo de ingestión o inhalación - riesgo de atragantamiento.. Se utilizará exclusivamente bajo la vigilancia directa de una persona adulta. La instalación de este producto en un juego infantil o otra construcción debe estar hecho así que peligro para quedarse atascado quede excluido.

Attenzione! Solo per uso domestico. Progettata per bambini tra i 12 mesi -12 anni. Progettate per essere utilizzate da quattro bambini con un peso combinato di 200 kg. Il coperchio non adatto ai bambini di età inferiore a 3 anni / 36 mesi - presenza di piccoli elementi suscettibili di ingestione o inalazione - pericolo di soffocamento.. Utilizzare sotto la sorveglianza diretta di un adulto. Effettuare il montaggio in modo che si eviti il rischio di intrappolamento.

Waarschuwing! Alleen voor privé gebruik.. Ontworpen voor kinderen tussen 12 maanden - 12 jaar oud. Ontworpen voor gebruik door vier kinderen met een gecombineerd gewicht van 200 kg. De cover is niet geschikt voor kinderen jonger dan 3 jaar / 36 maanden wegens kleine elementen met het risico op inslikken of inademen - verstikkingsgevaar. Alleen voor privé gebruiken onder toezicht van een volwassene. Het inbouwen van dit product in een speeltoestel of andere constructie dient zodanig te gebeuren dat voor beknelling uitgesloten is.

ARE YOU a PLAY EXPERT?

Take a photo and share it with us using **#littleplayexpert** or **#bigplayexpert** and be part of our growing network of play experts! Thousands of people every day are showing us that they are truly expert at play and playing in so many different ways - are you?



42 likes

@theplayexperts Literally jumping for joy! I think we are seriously #bigplayexpert s! #nevertooold #foreveryoung



107 likes

@theplayexperts our niece and daughter enjoying a game at a family wedding. Never too young for chess!



94 likes

loving the hi tower challenge @theplayexperts - its harder than it looks! #bigplayexpert #littleplayexpert



51 likes

The concentration on their faces! #littleplayexpert @theplayexperts

Not Just Sandpits...

You may or may not be aware that we design and make many different kinds of garden games and play equipment.

Big Game Hunters has been designing and creating games for children and families since 1997 - so by now we really do know what we are doing.

Here are just a few that are great for the whole family as well as just the kids...

The Parachute Game



Whacky Ranch Playhouse



Hardwood Boules



Wooden Skittles



Up 4 It



The logo to look out for...

There are many more products we have created - just look out for our Big Game Hunters logo or flower emblem to be sure you have an official product. The brand is not just a logo, it is the whole family of ideas, service and quality that are behind every product. We are not a huge corporate and do not claim to be - we are proud of who we are and what we create so look out for our brand knowing that each product carrying our logo has a special standard we aim to maintain for years and years to come...



Random Factoid Bubbles

One of the very first times sand play was recorded was when giant piles of sand were heaped up in parks in Berlin in 1850.

They called these piles "sand bergs"!

CE Please retain for future reference

+441865 392439
sales@biggamehunters.co.uk
biggamehunters.co.uk
@theplayexperts