

Big Game
hunters



Sandpits



Sand Sailer® Sandpit
Instructions



Screwdriver

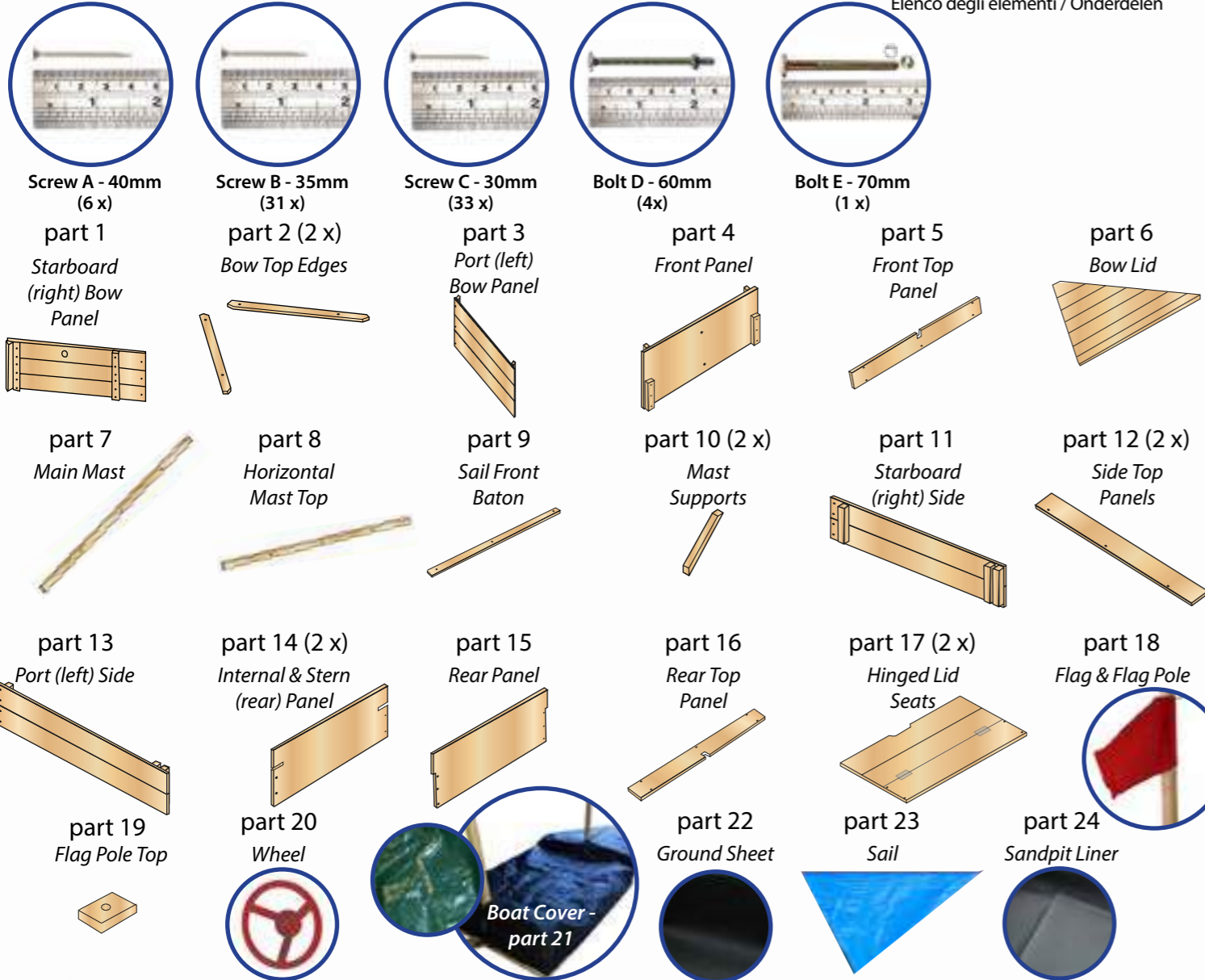
Tools Required

Benötigtes Material / Accessoires / Herramientas
Strumenti da lavoro / Benodigdgheden

Adult Assembly Required

Parts Included

Unterteile / Liste des pièces / Lista de partes
Elenco degli elementi / Onderdelen



Building the Boat Base

1

You will need:

- 1 x Part 4 (Front Panel), 1 x Part 11 (Starboard Side)
- 1 x Part 13 (Port Side)
- 2 x Parts 12 (Side Top Panels)
- 1 x Part 15 (Rear Panel)
- 22 x Screws 'B'

Fix part 4 (front panel) to the side panels (parts 11 & 13) using four screws 'B' on each side (eight in total - entering at the side). Make sure the side panels are the right way round - with the single baton on the inner side towards the front and double baton at the back (see inset images). Repeat this with the rear panel (part 15) - using six Screws 'B' (three on each side - these screw in from the back not the side). Now slot the two internal front and back panels (parts 14) into place and fix with eight screws 'B' (two in each corner). Slot parts 12 into place (horizontally) - you will secure these later.



Bow (Front) End

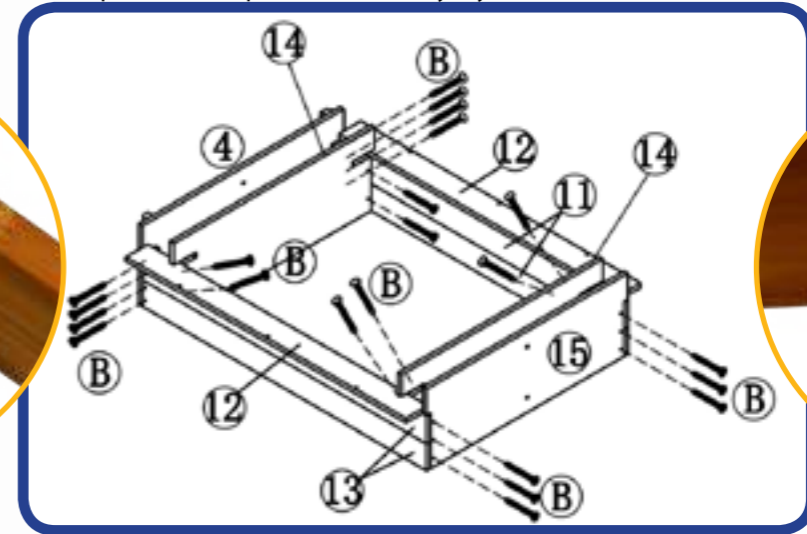


diagram 1



Stern (Back) End

2

Build the Mast & Add the Flag

You will need: Assembled Structure from Step 1

- 1 x Part 7 (Main Mast)
- 1 x Part 8 (Horizontal Mast Top)
- 6 x Screws 'A'
- 2 x Parts 10 (Mast Supports)
- 1 x Part 18 (Rear Flag Pole)
- 4 x Bolts 'D'

Build the mast using parts 7 (main mast), 8 (horizontal mast top) and 10 (mast supports). Secure the mast supports to the main mast and horizontal top using two Screws 'A' on each side. Secure the main mast (part 7) to the horizontal top (part 8) using two more Screws 'A'. Place the completed mast in the gap between the front two panels as shown in the diagram and bolt into place with two Bolts 'D'. The bolts will be on the outside of the sandpit and the nuts on the inner panel. Then slot the flag pole part 18 between the two rear panels and bolt into place using two more Bolts 'D'. At this stage ensure the two side panels (parts 12) are firmly in place (shown by the red arrows).

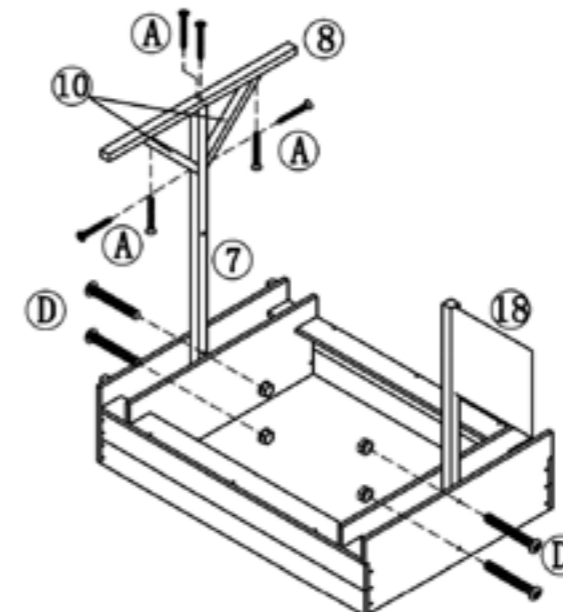


diagram 2



Remember...

We strongly recommend looking after these instructions, after all without them it will be a bit tricky to put this product together. Even though we know our customers are more intelligent than most, we still think you may find these instructions useful. *But if something unexpected were to happen, such as;*

Your dog ate them...

or your children constructed a kite out of them?

or your neighbour ran over them in their car?

You would have nothing to fear because we have uploaded all of our instructions to our website:
www.biggamehunters.co.uk

3

Completing the Main Boat Structure

You will need: Assembled Structure from Steps 1-2
 1 x Part 5 (Front Top Panel)
 1 x Part 16 (Rear Top Panel)
 16 x Screws 'C'

Place the front top panel (part 5) in place on the front of the boat (around the bottom of the mast) and secure in place with five screws 'C'. Repeat with the rear top panel (part 16) slotting it around the flag pole and securing in place with a further five screws 'C'. Using six more screws 'C', fix the side top panels (parts 12) in place - these should already be slotted into place from step 1.

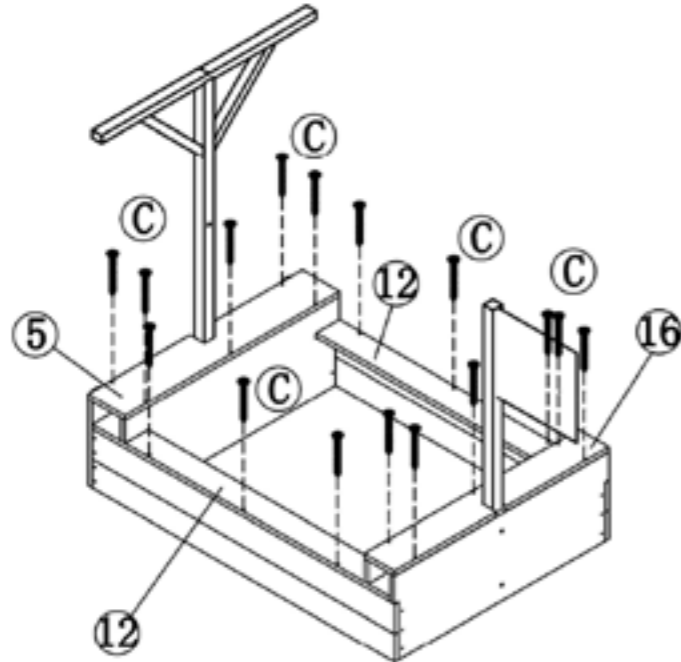


diagram 3

4

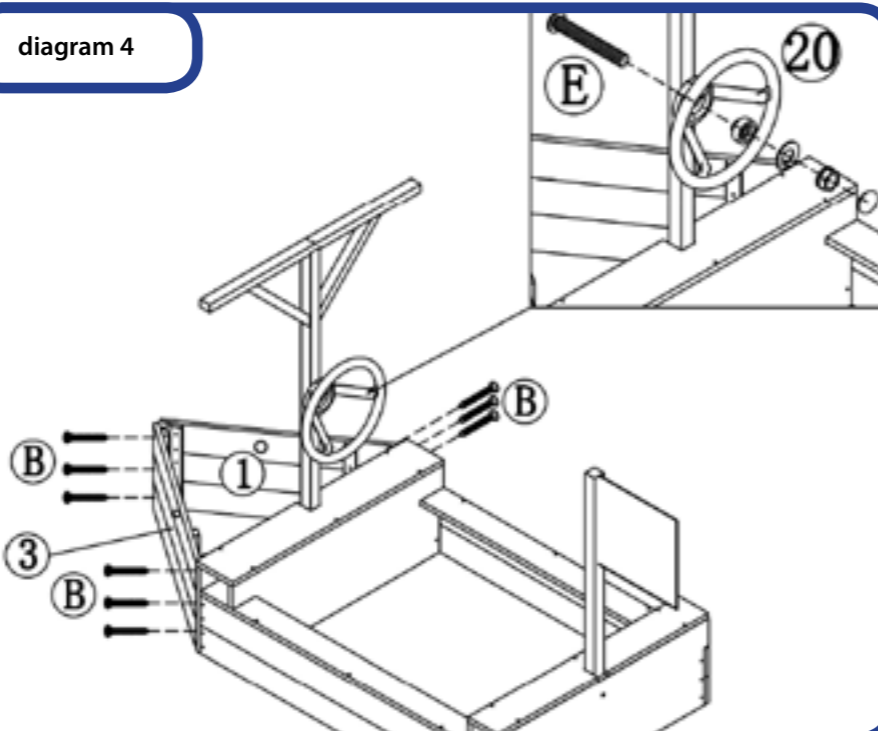
Create the Bow

You will need:
 Assembled Structure from Steps 1-3
 1 x Part 1 (Starboard Bow Panel)
 1 x Part 3 (Port Bow Panel)
 1 x Part 20 (Steering Wheel)
 9 x Screws 'B'
 1 x Bolt 'E'

Attach the bow (front) panels parts 1 and 3 to the front of the boat as shown in diagram 4. Screw to the assembled structure from step 1-3 using six 'B' screws. Use a further three 'B' screws to fix the two pieces together at the very front.
Please note: part 1 has the baton at the edge - this is where part 1 and 3 join to make the pointed bow front.

Then fix the steering wheel onto the mast using one Bolt set 'E'.
 Please note the bolt goes through the mast first, then centre of the wheel in this order:
 Bolt > Mast > Wheel > Washer > Nut > Cover

diagram 4



5

Creating the Seats

You will need:
 2 x Parts 17 (Lid Seats)
 12 x Screws 'C'

2 x Parts 2 (Bow Top Edges)

Fix the bow top edges (parts 2) on to the front of the boat (on top of parts 1 and 3) using four Screws 'C' - one at each end on both sides (see inset image).
 Now attach the lid/seat sections (parts 17) using four more screws 'C' (two in each corner - see second inset image).
Please note: the seats need to be placed so there is small gap in the middle of the two pieces when closed. This is to make sure it is easy to open and close them.

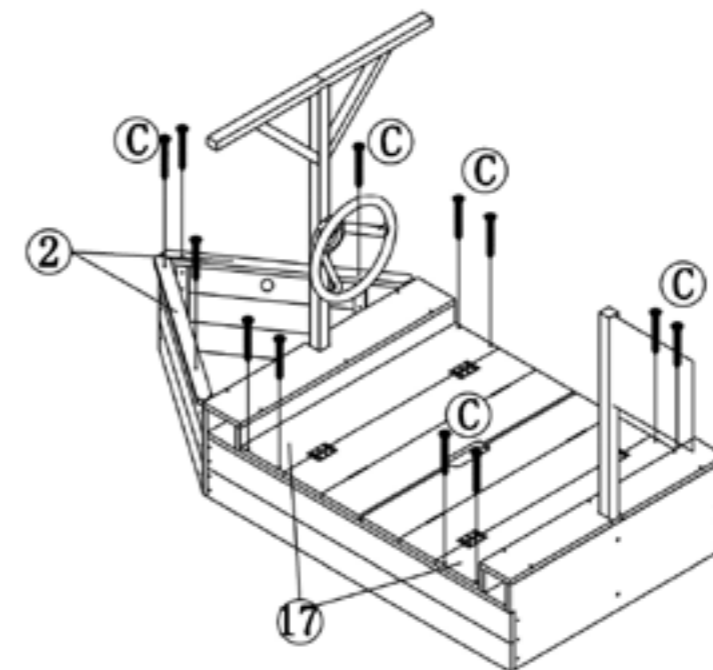


diagram 5



6

Adding the Sail and Bow Lid

You will need:
 1 x Part 9 (Sail Baton), 1 x Part 23 (Sail)
 1 x Part 19 (Flag Pole Top)
 1 x Part 6 (Bow Lid)
 5 x Screws 'C'

Slot panel 6 onto the front of the boat as shown to form a cupboard for storage.

Using the long sail baton (part 23), fix the sail part 9 on to the horizontal mast top using four screws 'C'.

Fix the other end to the flag pole using part 19 (flag pole top) and one 'C' screw.

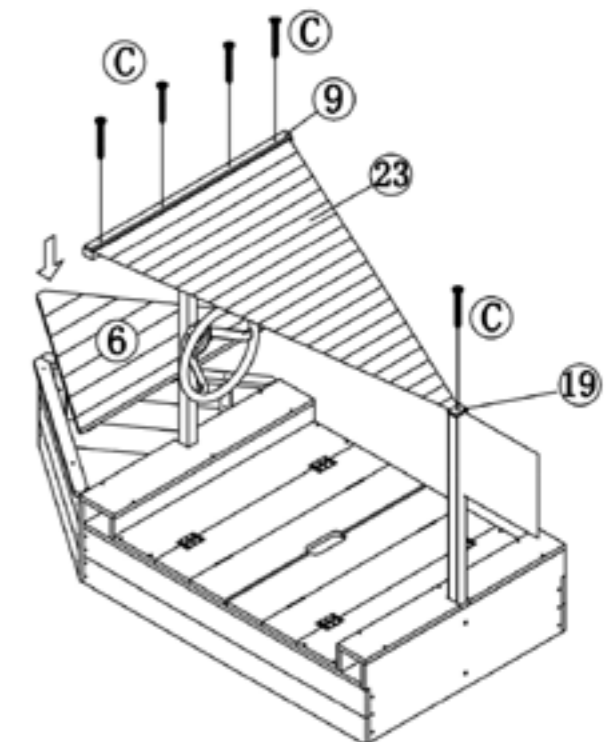


diagram 6

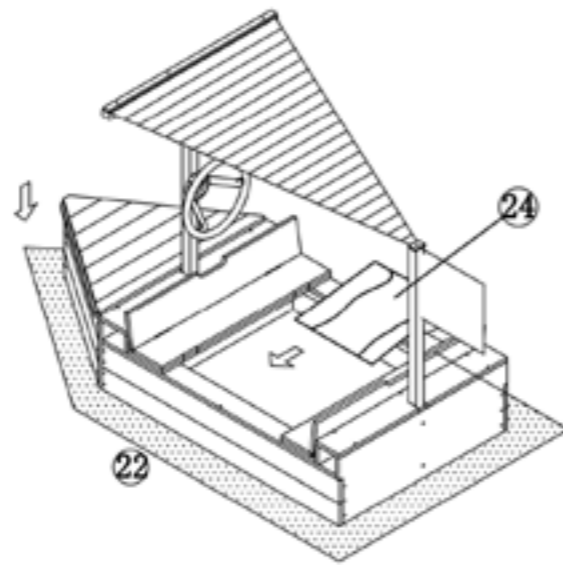
7

Completing the Sandpit

You will need:

- 1 x Part 24 (Sandpit Liner)
- 1 x Part 22 (Boat Ground Sheet)

Lay out the boat ground sheet (part 22) where you would like to keep the sandpit. The sandpit should be placed on a suitable flat ground surface such as grass or a play mat. Carefully place the sandpit on top. Insert the sandpit liner (part 24).



8

The Finale

Now your sandpit is complete, we would now recommend you go round all the screws to make sure they are all tight as they can loosen slightly when you move the sandpit.

Fill the sandpit with play sand and it is now ready to use. It is important to use play sand as this is non-abrasive and other types of sand can hurt little hands.

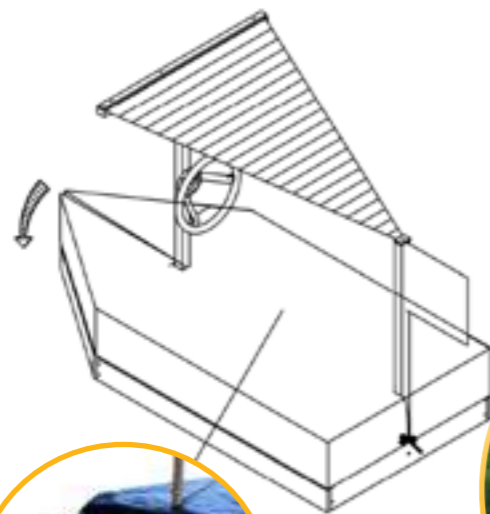
We recommend filling your sandpit to a depth of 10-15cm. For a 10cm depth you would need approx. 150kg of sand.



When the sandpit is not being used...

Don't forget to fold the wooden seats down when the sandpit is not being used. Use the full sandpit cover when you are not using the sandpit. Simply lay the cover over the sandpit and secure using the ties included. The waterproof sandpit cover will help to protect it and keep it looking good. The wooden seats/lid will stop debris and animals getting into the sand during short periods while not in use but we would recommend using the waterproof cover as often as possible to keep your sandpit looking the very best!

If your sand gets particularly wet, on the first sunny day in Spring remove the cover and allow your sand to dry out. You may want to replenish the play sand in your sandpit every year as it can get dirty and often gets thrown out through enthusiastic play!



Inspection & Maintenance

We recommend the following inspection and maintenance.



Looking After Your Sandpit

Your Sand Sailer® Sandpit is made of good quality fir wood. It has been treated to keep it looking good in your garden and to protect it from the elements. Despite this it should be covered in severe weather conditions. We recommend re-treating your sandpit regularly to prolong its life and keep it looking good too.

We would recommend a non-toxic wood stain - preferably tested to meet EN71 safety regulations (these are European children's play equipment safety rules).

Avoid products which contain ANY of the following:
antimony, arsenic, barium, cadmium, chromium, lead, mercury and selenium.

Wood is Natural - so we accept its quirks, naturally!

There will be a reason you have bought a wooden sandpit and not a plastic one. Like us, you are likely to appreciate the beauty and quality that a wooden product can give. They are also a little kinder on the environment than plastic products. As with all wooden products, some variation in colour may be apparent and the wood will expand and shrink in wet and dry conditions. As a result of this natural expanding and contracting some cracks and splits may occur which is normal and nothing to worry about - it just shows it is a natural product.

So please accept these quirks, and look after it - it deserves your care and attention!

Weekly to monthly / routine visual inspection

Check wood for splinters which may occur - these could hurt little hands or become a choking hazard.

Check for loose screws and fixings and tighten where and when necessary.


1 - 3 Months / operational inspection


Check the stability of the construction


1 - 2 times per year / annual inspection


Check for rust and corrosion of bolts and screws and replace where necessary.


Warnings!


 **For family domestic use only. To be used under the supervision of an adult. Intended for outdoor use by children aged 18 months - 12 years. Install the product in a way to avoid risk of entrapment - with sufficient gap between the product and other surfaces. Cover not suitable for children under 3 years / 36 months because of small parts which could be a choking hazard. This product is suitable for 1-4 users with a combined weight of 200kg.**

 **Warnung! Nur für den häuslichen Gebrauch. Nur für Kinder zwischen 18 Monaten - 12 Jahren geeignet. Für vier Kinder mit einem Gesamtgewicht von 200 kg ausgelegt. Für Kinder unter 3 Jahren / 36 Monaten der Deckel ist nicht geeignet, wegen verschluckbare Kleinteile. Durch verschluckbare Kleinteile besteht Erstickungsgefahr. Nur unter der direkten Aufsicht eines Erwachsenen benutzen. Bei der Montage des Produktes in ein Spielgerät oder eine andere Konstruktion muss sichergestellt werden, dass keine Fangstellen für Gliedmasse oder Kleidungsstücke entstehen.**

 **Attention! Exclusivement à usage familial. Conçu pour les enfants entre 18 mois - 12 ans seulement. Conçu pour être utilisés par quatre enfants avec un poids combiné de 200kg. La couvercle es ne convient pas aux enfants de moins de 3 ans / 36 mois, présence de petits éléments susceptibles d'être ingérés ou inhalés - risque d'étouffement.. À utiliser sous la surveillance rapprochée d'un adulte. Au cas où l'on incorpore le produit dans un jeu ou une construction quelconque, il faudra le faire de façon à éliminer tout risque de coincage.**

 **¡Advertencia! Exclusivamente para uso doméstico. Diseñada para niños de entre 18 meses -12 años solamente. Diseñada para ser utilizados por cuatro niños con un peso combinado de 200 kg. La cubierta no conveniente para menores de 3 años / 36 meses - partes pequeñas con riesgo de ingestión o inhalación - riesgo de atragantamiento.. Se utilizará exclusivamente bajo la vigilancia directa de una persona adulta. La instalación de este producto en un juego infantil o otra construcción debe estar hecho así que peligro para quedarse atascado quede excluido.**

 **Attenzione! Solo per uso domestico. Progettata per bambini tra i 18 mesi -12 anni. Progettate per essere utilizzate da quattro bambini con un peso combinato di 200 kg. Il coperchio non adatto ai bambini di età inferiore a 3 anni / 36 mesi - presenza di piccoli elementi suscettibili di ingestione o inalazione - pericolo di soffocamento.. Utilizzare sotto la sorveglianza diretta di un adulto. Effettuare il montaggio in modo che si eviti il rischio di intrappolamento.**

 **Waarschuwing! Alleen voor privé gebruik.. Ontworpen voor kinderen tussen 18 maanden - 12 jaar oud. Ontworpen voor gebruik door vier kinderen met een gecombineerd gewicht van 200 kg. De cover is niet geschikt voor kinderen jonger dan 3 jaar / 36 maanden wegens kleine elementen met het risico op inslikken of inademen - verstikkingsgevaar. Alleen voor privé gebruiken onder toezicht van een volwassene. Het inbouwen van dit product in een speeltoestel of andere constructie dient zodanig te gebeuren dat voor beknelling uitgesloten is.**

ARE YOU a PLAY EXPERT?

Take a photo and share it with us using **#littleplayexpert** or **#bigplayexpert** and be part of our growing network of play experts! Thousands of people every day are showing us that they are truly expert at play and playing in so many different ways - are you?



42 likes

@theplayexperts Literally jumping for joy! I think we are seriously #bigplayexpert s ! #nevertooold #foreveryoung



107 likes

@theplayexperts our niece and daughter enjoying a game at a family wedding. Never too young for chess!



94 likes

loving the hi tower challenge @theplayexperts - its harder than it looks! #bigplayexpert #littleplayexpert



51 likes

The concentration on their faces! #littleplayexpert @theplayexperts

Not Just Sandpits...

You may or may not be aware that we design and make many different kinds of garden games and play equipment.

Big Game Hunters has been designing and creating games for children and families since 1997 - so by now we really do know what we are doing.

Here are just a few that are great for the whole family as well as just the kids...

The Parachute Game



Café Shop Playhouse



Hardwood Boules



Wooden Skittles



Up 4 It



The logo to look out for...

There are many more products we have created - just look out for our Big Game Hunters logo or flower emblem to be sure you have an official product. The brand is not just a logo, it is the whole family of ideas, service and quality that are behind every product. We are not a huge corporate and do not claim to be - we are proud of who we are and what we create so look out for our brand knowing that each product carrying our logo has a special standard we aim to maintain for years and years to come...



Random Factoid Bubbles

One of the very first times sand play was recorded was when giant piles of sand were heaped up in parks in Berlin in 1850.

They called these piles "sand bergs"!



Please retain for future reference

+441865 392439
sales@biggamehunters.co.uk
biggamehunters.co.uk
@theplayexperts

