

Big Game
hunters



Sandpits



Octagonal Sandpit
INSTRUCTIONS



Screwdriver

Tools Required

Benötigtes Material / Accessoires / Herramientas
Strumenti da lavoro / Benodigdheden

Adult Assembly Required

Parts Included

Unterteile / Liste des pièces / Lista de partes
Elenco degli elementi / Onderdelen



Screw A - 60mm
(16 x)



Screw B - 30mm
(12 x)



Screw C - 20mm
(20 x)

part 1 (8 x)
Long Sides



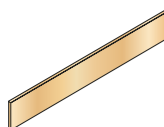
part 2 (8 x)
Short Sides -
Top and Bottom



part 3 (4 x)
Short Sides -
Middle



part 4 (4 x)
Seats



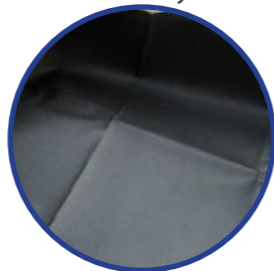
part 5 (2 x)
Long Batons



part 6 (4 x)
Short Batons



part 7
Underlay



part 8
Cover



Remember...

We strongly recommend looking after these instructions, after all without them it will be a bit tricky to put this product together. Even though we know our customers are more intelligent than most, we still think you may find these instructions useful.
But if something unexpected were to happen, such as,

Burger
Your dog ate them...

or your children constructed a kite out of them?

or your neighbour ran over them in their car?

You would have nothing to fear because we have uploaded all of our instructions to our website:
www.biggamehunters.co.uk

Inspection & Maintenance

We recommend the following inspection and maintenance.



Looking After Your Sandpit

Your Octagonal Sandpit is made of good quality fir wood. It has been treated to keep it looking good in your garden and to protect it from the elements. Despite this it should be covered in severe weather conditions. We recommend re-treating your sandpit regularly to prolong its life and keep it looking good too.

We would recommend a non-toxic wood stain - preferably tested to meet EN71 safety regulations (these are European children's play equipment safety rules).

Avoid products which contain ANY of the following:

antimony, arsenic, barium, cadmium, chromium, lead, mercury and selenium.

Wood is Natural - so we accept its quirks, naturally!

There will be a reason you have bought a wooden sandpit and not a plastic one. Like us, you are likely to appreciate the beauty and quality that a wooden product can give. They are also a little kinder on the environment than plastic products. As with all wooden products, some variation in colour may be apparent and the wood will expand and shrink in wet and dry conditions. As a result of this natural expanding and contracting some cracks and splits may occur which is normal and nothing to worry about - it just shows it is a natural product.

So please accept these quirks, and look after it - it deserves your care and attention!

Weekly to monthly / routine visual inspection

Check wood for splinters which may occur - these could hurt little hands or become a choking hazard.

Check for loose screws and fixings and tighten where and when necessary.

1 - 3 Months / operational inspection

Check the stability of the construction

1 - 2 times per year / annual inspection

Check for rust and corrosion of bolts and screws and replace where necessary.

Warnings!

For family domestic use only. To be used under the supervision of an adult. Intended for outdoor use by children aged 18 mnths +. Install the product in a way to avoid risk of entrapment - with sufficient gap between the product and other surfaces. Cover not suitable for children under 3 years / 36 months because of small parts which could be a choking hazard.

Warnung! Nur für den häuslichen Gebrauch. Für Kinder unter 3 Jahren / 36 Monaten der Deckel ist nicht geeignet, wegen verschluckbare Kleinteile. Durch verschluckbare Kleinteile besteht Erstickungsgefahr. Nur unter der direkten Aufsicht eines Erwachsenen benutzen. Bei der Montage des Produktes in ein Spielgerät oder eine andere Konstruktion muss sichergestellt werden, dass keine Fangstellen für Gliedmasse oder Kleidungsteile entstehen.

Attention! Exclusivement à usage familial. La couvercle es ne convient pas aux enfants de moins de 3 ans / 36 mois, présence de petits éléments susceptibles d'être ingérés ou inhalés - risque d'étouffement.. À utiliser sous la surveillance rapprochée d'un adulte. Au cas où l'on incorpore le produit dans un jeu ou une construction quelconque, il faudra le faire de façon à éliminer tout risque de coinçage.

¡Advertencia! Exclusivamente para uso doméstico. La cubierta no conveniente para menores de 3 años / 36 meses - partes pequeñas con riesgo de ingestión o inhalación - riesgo de atragantamiento.. Se utilizará exclusivamente bajo la vigilancia directa de una persona adulta. La instalación de este producto en un juego infantil o otra construcción debe estar hecho así que peligro para quedarse atascado quede excluido.

Attenzione! Solo per uso domestico. Il coperchio non adatto ai bambini di età inferiore a 3 anni / 36 mesi - presenza di piccoli elementi suscettibili di ingestione o inalazione - pericolo di soffocamento.. Utilizzare sotto la sorveglianza diretta di un adulto. Effettuare il montaggio in modo che si eviti il rischio di intrappolamento.

Waarschuwing! Alleen voor privé gebruik. De cover is niet geschikt voor kinderen jonger dan 3 jaar / 36 maanden wegens kleine elementen met het risico op inslikken of inademen - verstikkingsgevaar. Alleen voor privé gebruiken onder toezicht van een volwassene. Het inbouwen van dit product in een speeltoestel of andere constructie dient zodanig te gebeuren dat voor beknelling uitgesloten is.

1

Building the Sandpit Base

You will need:
4 x Parts 1 (Long Sides)
4 x Parts 2 (Short Sides)

Lay the shorter sides (parts 2) out first.
Then slot four of the long sides (parts 1) into the short sides (parts 2).
You should be left with the Octagonal shaped base of the sandpit.

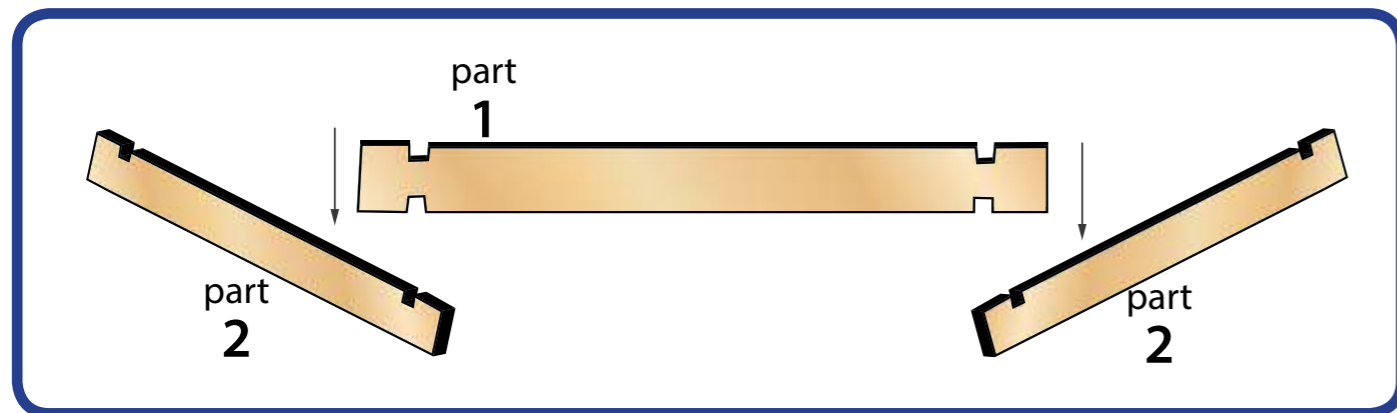


diagram 1

2

Building the Sandpit Walls

You will need:
4 x Parts 1 (Long Sides)
4 x Parts 3 (Short Sides - Middle)

Now slot the middle sections of the short sides (parts 3) on top of the part 2's.
Then slot four more part 1's on top of the long sides.

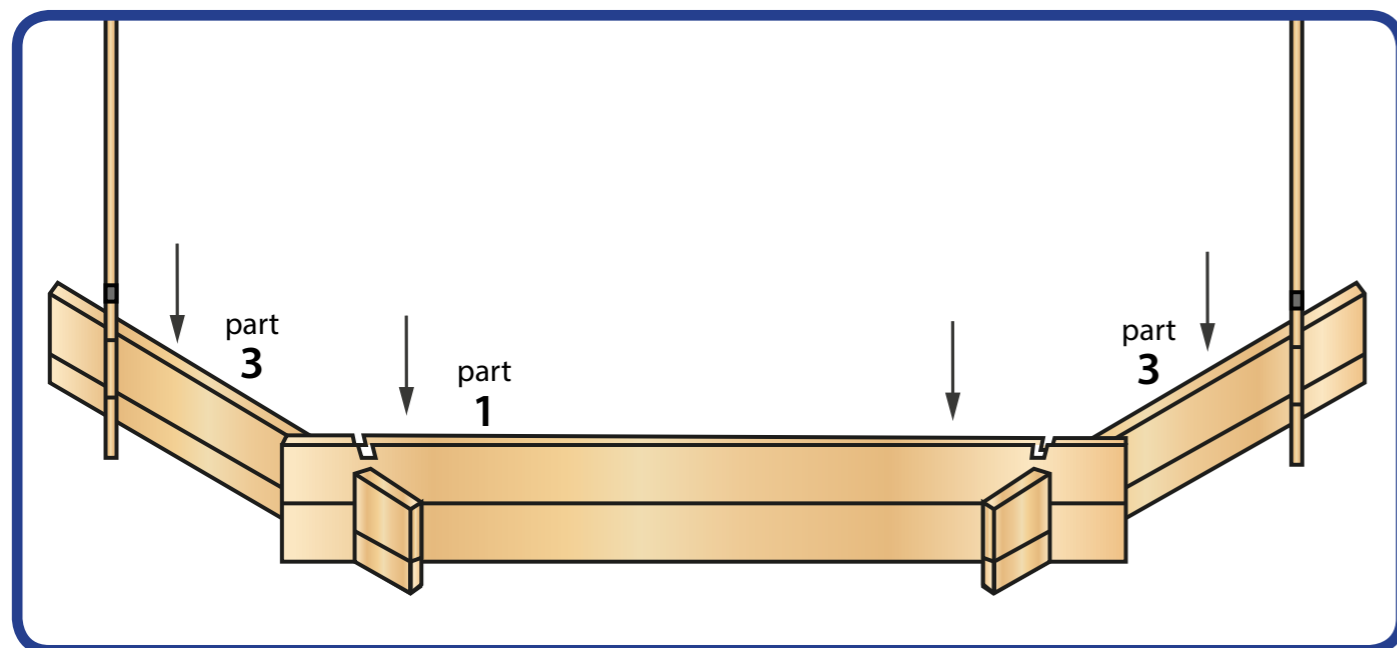


diagram 2

3

Complete the Structure

You will need:
4 x Parts 2 (Short Sides)

Complete the structure by slotting on the remaining four part 2's.

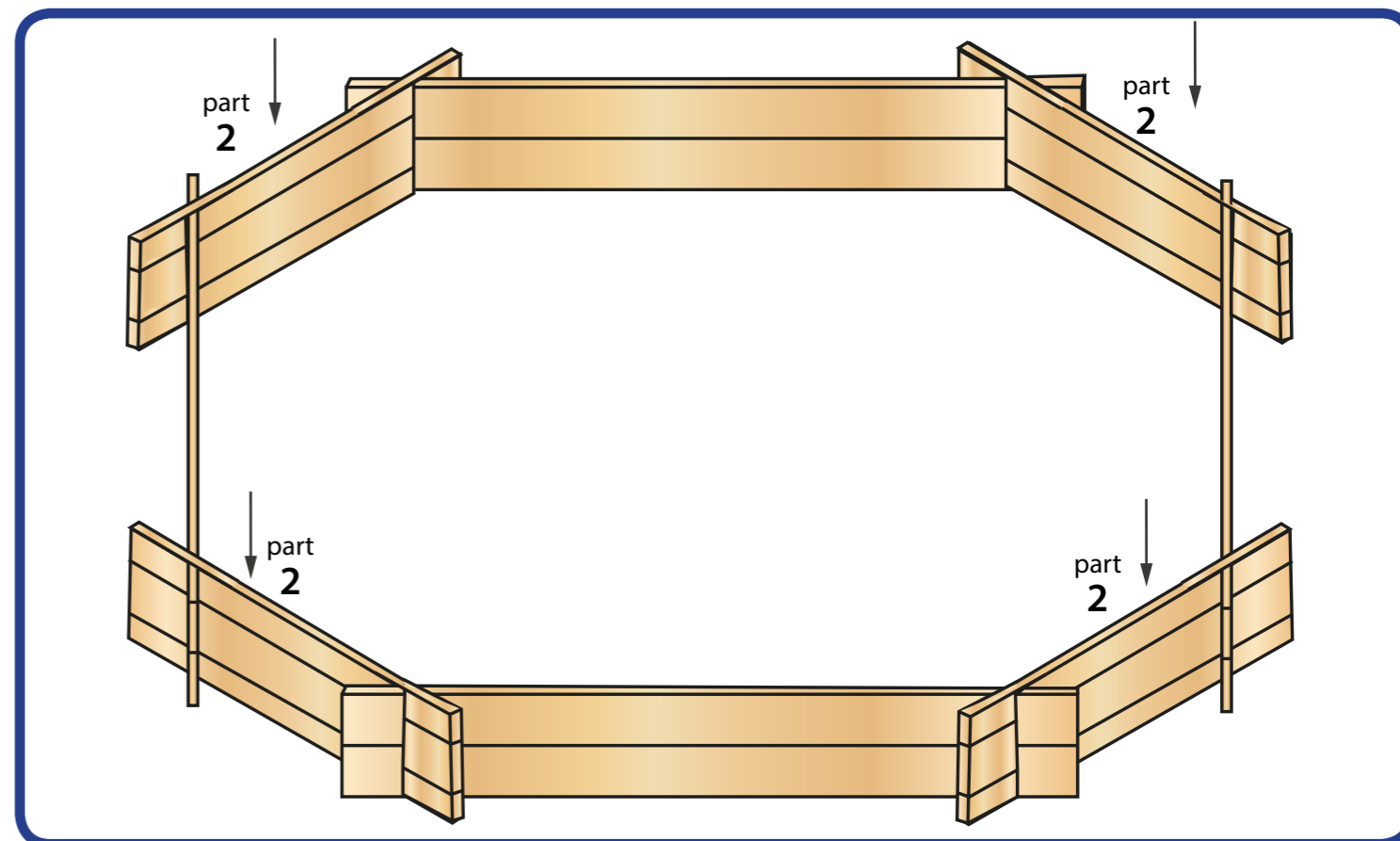


diagram 3

4

Secure the Structure

You will need:
Assembled Structure from Steps 1-3
16 x Screws 'A' (30mm)

Secure the sandpit frame together using two Screws 'A' in each of the shorter sides of the sandpit.

There are guide holes there to help you.

Then turn the frame over and repeat this step with the underside/top (you can have the sandpit either way up).

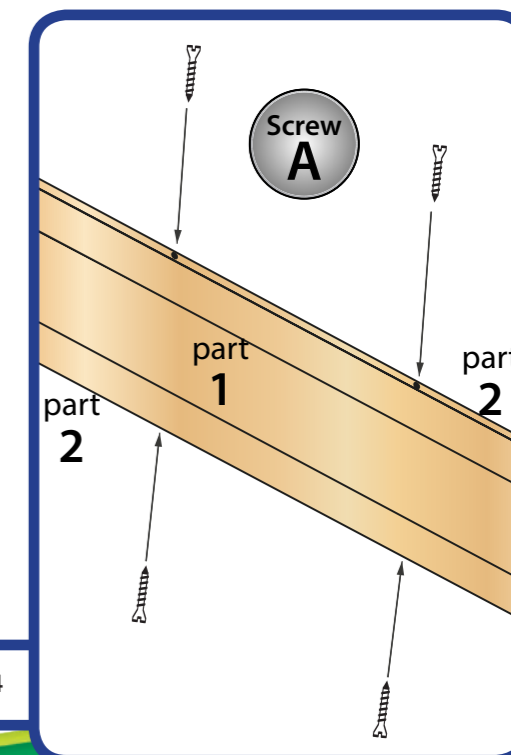


diagram 4

5

Creating the Seats

- You will need:*
 4 x Parts 4 (Seats)
 12 x Screws 'B' (30mm)

Attach the corner seats to the four corners of the sandpit using three screws 'B' on each seat. These screws will go through the guide holes and into the sides of the sandpit to secure them in place.



6

Adding the Underlay

- You will need:*
 Part 7 (Underlay)
 2 x Parts 5 (Long Batons)
 4 x Parts 6 (Short Batons)
 20 x Screws 'C' (20mm)

Fix the sandpit underlay in place using the two long and four short side Batons (parts 5 & 6) and twenty Screws 'C' (20mm).

You do this by laying the underlay inside the sandpit and screwing the batons (parts 5 & 6) to the inside of the sandpit with the underlay in between (see diagram 6).

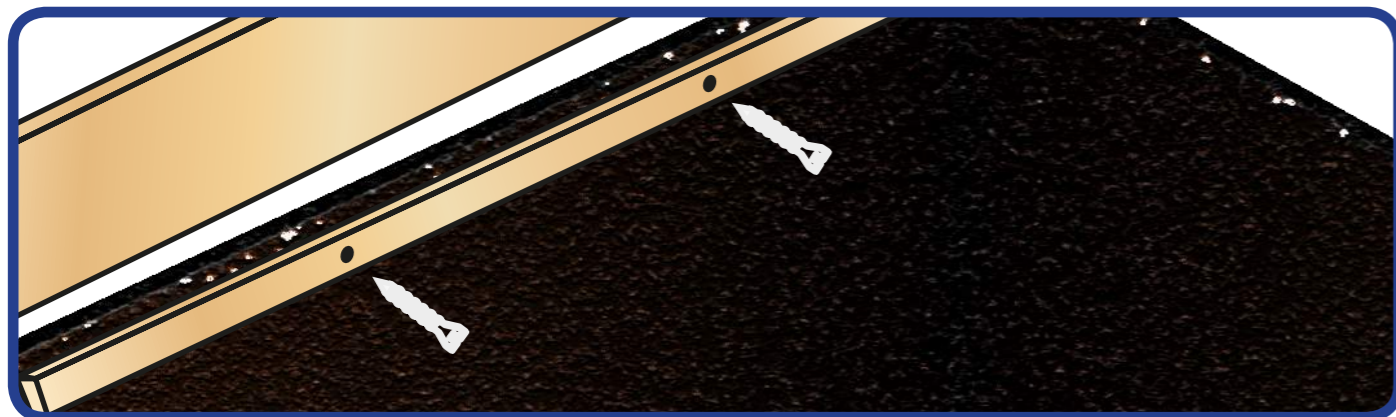


diagram 6

7

The Finale

Now your sandpit is complete, you simply need to decide where you are going to place it. The sandpit should be placed on a suitable flat ground surface such as grass or a play mat.

We would now recommend you go round all the screws to make sure they are all tight as they can loosen slightly when you move the sandpit.

Fill the sandpit with play sand and it is now ready to use. It is important to use play sand as this is non-abrasive and other types of sand can hurt little hands.



When the sandpit is not being used...

Don't forget to put the showerproof cover on when the sandpit is not being used. The cover will help to protect it and keep it looking good. An item with a height greater than the sandpit can be placed in the centre of the sandpit before the cover is placed on top. This will prop up the cover and allow water to run off and prevent "puddling". Should water accumulate and form a pool, please ensure this water is removed regularly as the water can pose a danger to children.

If your sand gets particularly wet, make sure you take the cover off on the first sunny day in Spring and allow your sand to dry out. You may want to replenish the play sand in your sandpit every year as it can get dirty and often gets thrown out through enthusiastic play! Placing the rain cover on after every use will help keep leaves, debris and cheeky little animals out of the sand!



ARE YOU a PLAY EXPERT?

Take a photo and share it with us using **#littleplayexpert** or **#bigplayexpert** and be part of our growing network of play experts! Thousands of people every day are showing us that they are truly expert at play and playing in so many different ways - are you?



42 likes

@theplayexperts Literally jumping for joy! I think we are seriously #bigplayexpert s! #nevertotoold #foreveryyoung



107 likes

@theplayexperts our niece and daughter enjoying a game at a family wedding. Never too young for chess!



94 likes

loving the hi tower challenge @theplayexperts - its harder than it looks! #bigplayexpert #littleplayexpert



51 likes

The concentration on their faces! #littleplayexpert @theplayexperts

Not Just Sandpits...

You may or may not be aware that we design and make many different kinds of garden games and play equipment.

Big Game Hunters has been designing and creating games for children and families since 1997 - so by now we really do know what we are doing.

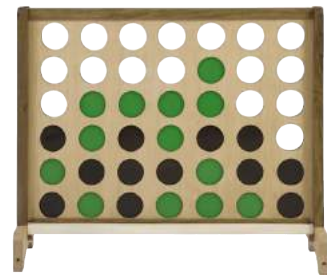
Here are just a few that are great for the whole family as well as just the kids...

The Parachute Game



Giant Tower

Giant Dominoes (in a box)



Giant Four in a Row Games; Hardwood Big 4 & Jumbo 4

The logo to look out for...

There are many more products we have created - just look out for our Big Game Hunters logo or flower emblem to be sure you have an official product. The brand is not just a logo, it is the whole family of ideas, service and quality that are behind every product. We are not a huge corporate and do not claim to be - we are proud of who we are and what we create so look out for our brand knowing that each product carrying our logo has a special standard we aim to maintain for years and years to come...



Random Factoid Bubbles

One of the very first times sand play was recorded was when giant piles of sand were heaped up in parks in Berlin in 1850.

They called these piles "sand bergs"!

CE Please retain for future reference

+441865 392439
sales@biggamehunters.co.uk
biggamehunters.co.uk
@theplayexperts

Garden Games Limited
Chadwick Farm • Garford
Oxfordshire • OX13 5PD • England

