

Big Game
hunters



Sandpits

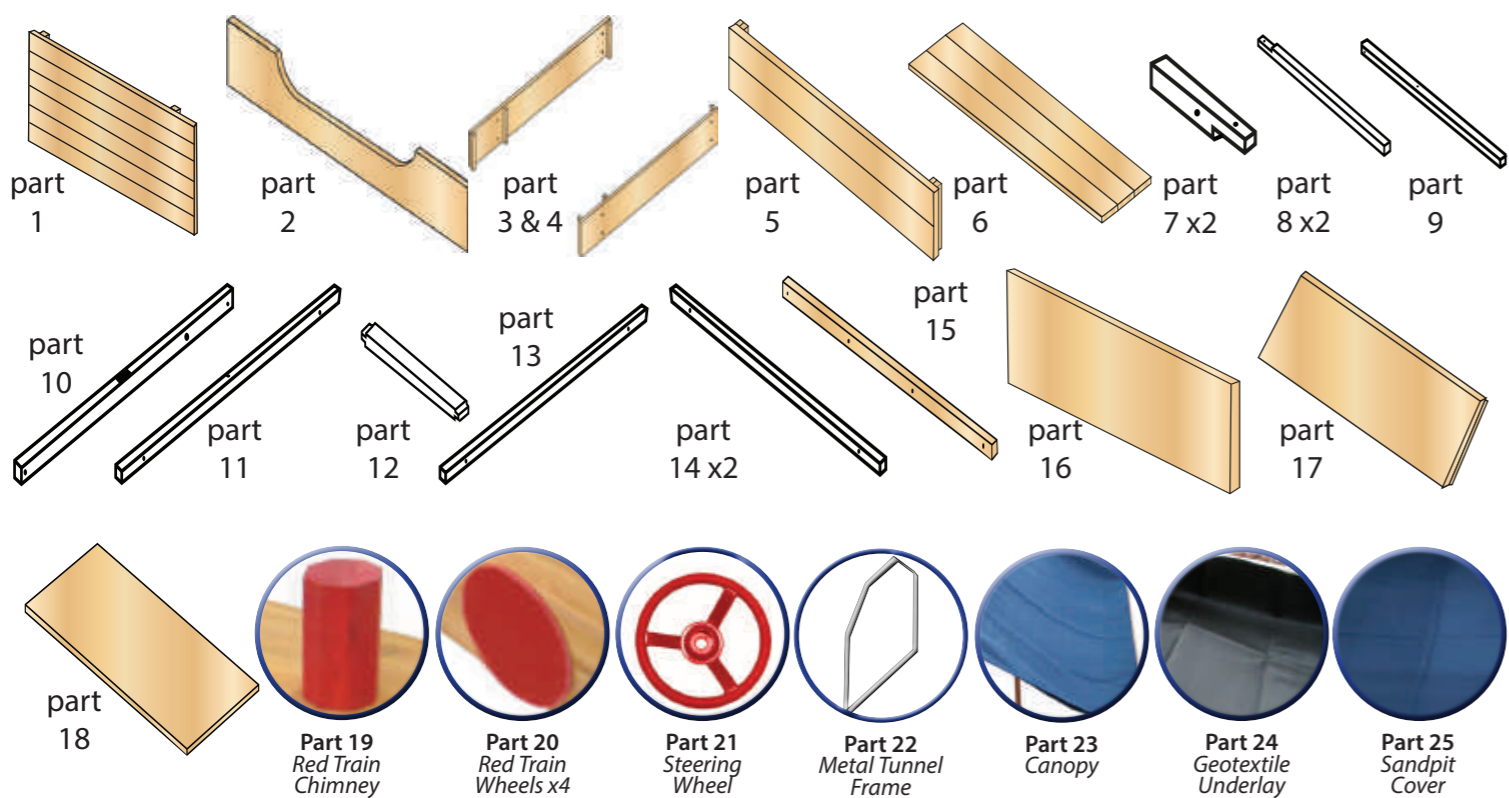
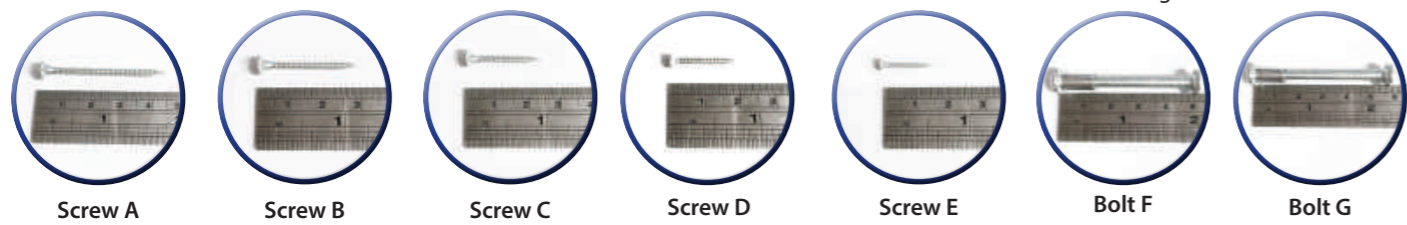


Choo Choo Train Sandpit
Instructions



Tools Required
 Benötigtes Material / Accessoires / Herramientas
 Strumenti da lavoro / Benodigdgheden

Parts Included
 Unterteile / Liste des pièces / Lista de partes
 Elenco degli elementi / Onderdelen



Building the Base of the Sandpit

1

You will need:
 Side Panels (parts 3 & 4)
 Front of Seat/Storage Box (part 5)
 Wheel x 4 (parts 20)
 12 x Screws 'B' & 12 x Screws 'D'

Front panel (part 2) and Rear Panel (part 1)

Line all three pieces up as shown in diagram 1 to form the base. Make sure that the batons on the sides (parts 3 & 4) are on the inside of the base, and the set to attach part 5 to are near the back. Take the four screws 'B' and attach the middle panel - (front of the storage box/seat - part 5) to the batons inside the sides (part 3). See diagram 1a.

Move to the other side of the sandpit - attach the Rear Panel (part 1) using four screws 'B' (two on each side) and do the same again with the front panel (part 2). See diagram 1b.

The wheels (parts 20) need to be screwed to the sides of the sandpit using screws 'D'. Two on part 3 and two on part 4. The screws will form a triangle shape.

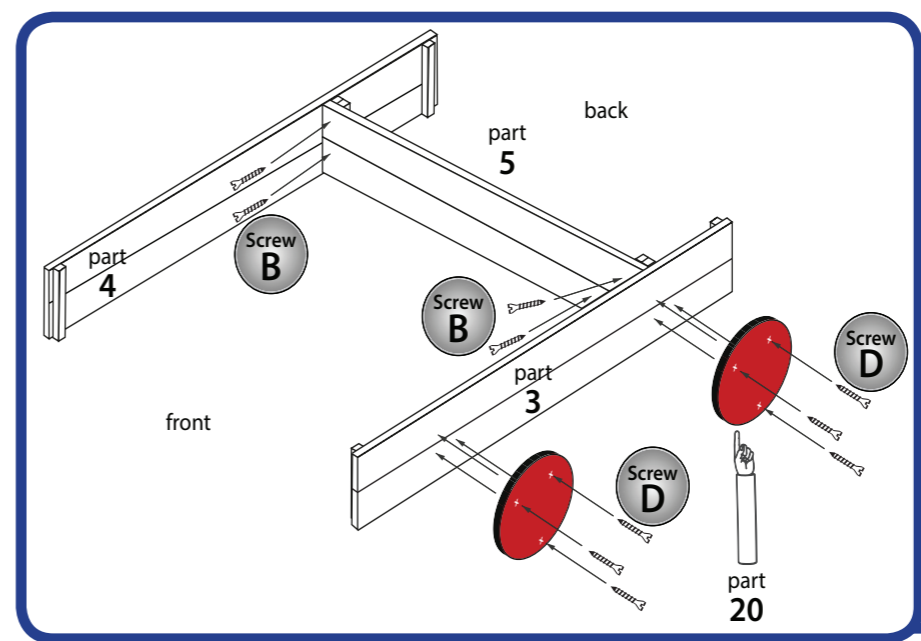


diagram 1a

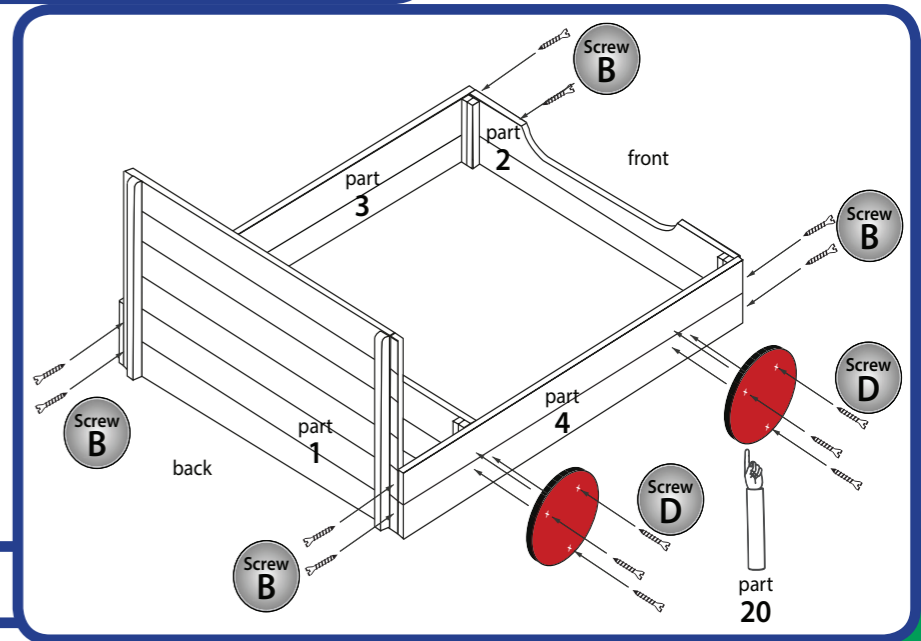


diagram 1b

Remember...

We strongly recommend looking after these instructions, after all without them it will be a bit tricky to put this product together. Even though we know our customers are more intelligent than most, we still think you may find these instructions useful.
But if something unexpected were to happen, such as,



or your children constructed a kite out of them?

or your neighbour ran over them in their car?

You would have nothing to fear because we have uploaded all of our instructions to our website:
www.biggamehunters.co.uk

2

Building the Frame of the Carriage

You will need:

- The longer (110cm) two uprights for the back of the carriage (parts 8)
- The shorter (97cm) two uprights for the front of the carriage (parts 7)
- 8 x Screws 'B'

Assemble the rear uprights by connecting one part 7 and one part 8 together using three screws 'B'. see diagram 2a.

Next, take all four uprights and attach to the base of the sandpit using two screws 'B' in each corner. The screws will go just in front and behind the batons on the inside of the sandpit sides. See diagram 2b.

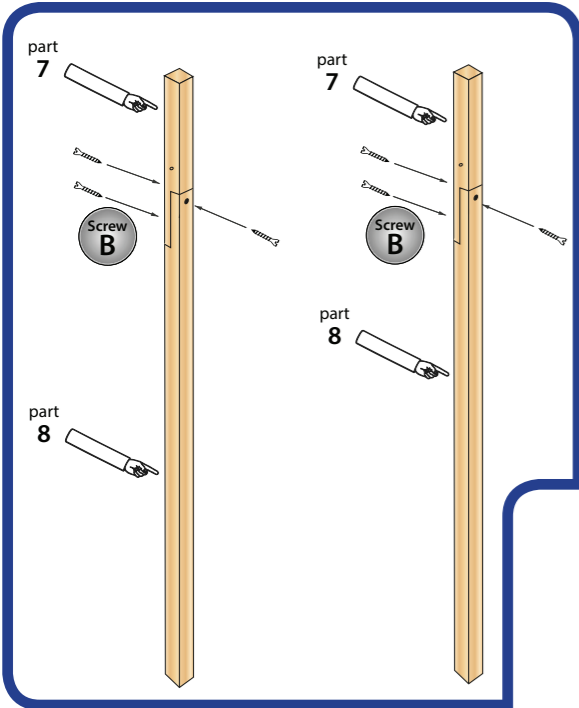


diagram 2a

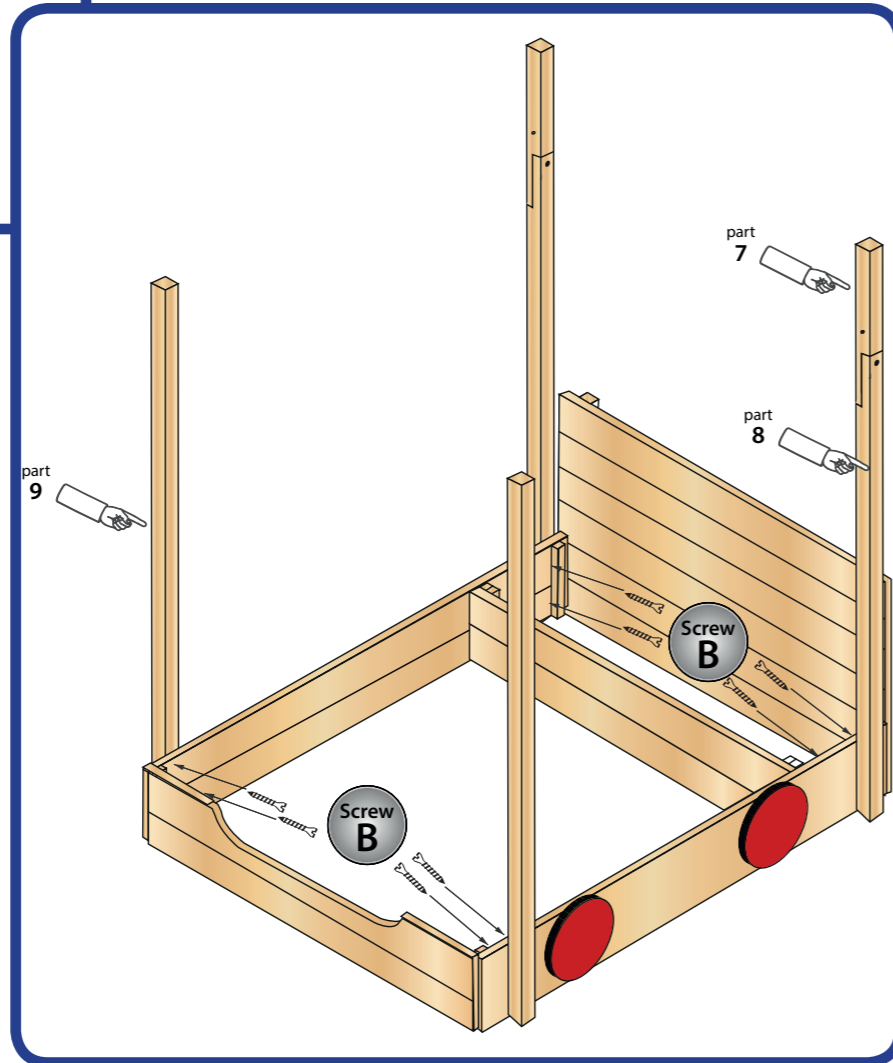


diagram 2b

3

Creating the Train Carriage - Part Two

You will need:

- Parts as assembled in Step 1 & 2
- Horizontal Roof Supports x 2 (parts 14)

- Window Frame - parts 10, 11, & 12
- 4 x Bolts 'F'
- 2 x Screws 'A'

Attach the two horizontal roof supports to the outside of the vertical posts using two Bolts 'F' in each. See diagram 3a.

Create the window frame by screwing part 12 vertically in the centre of part 11 and part 12. See diagram 3b.

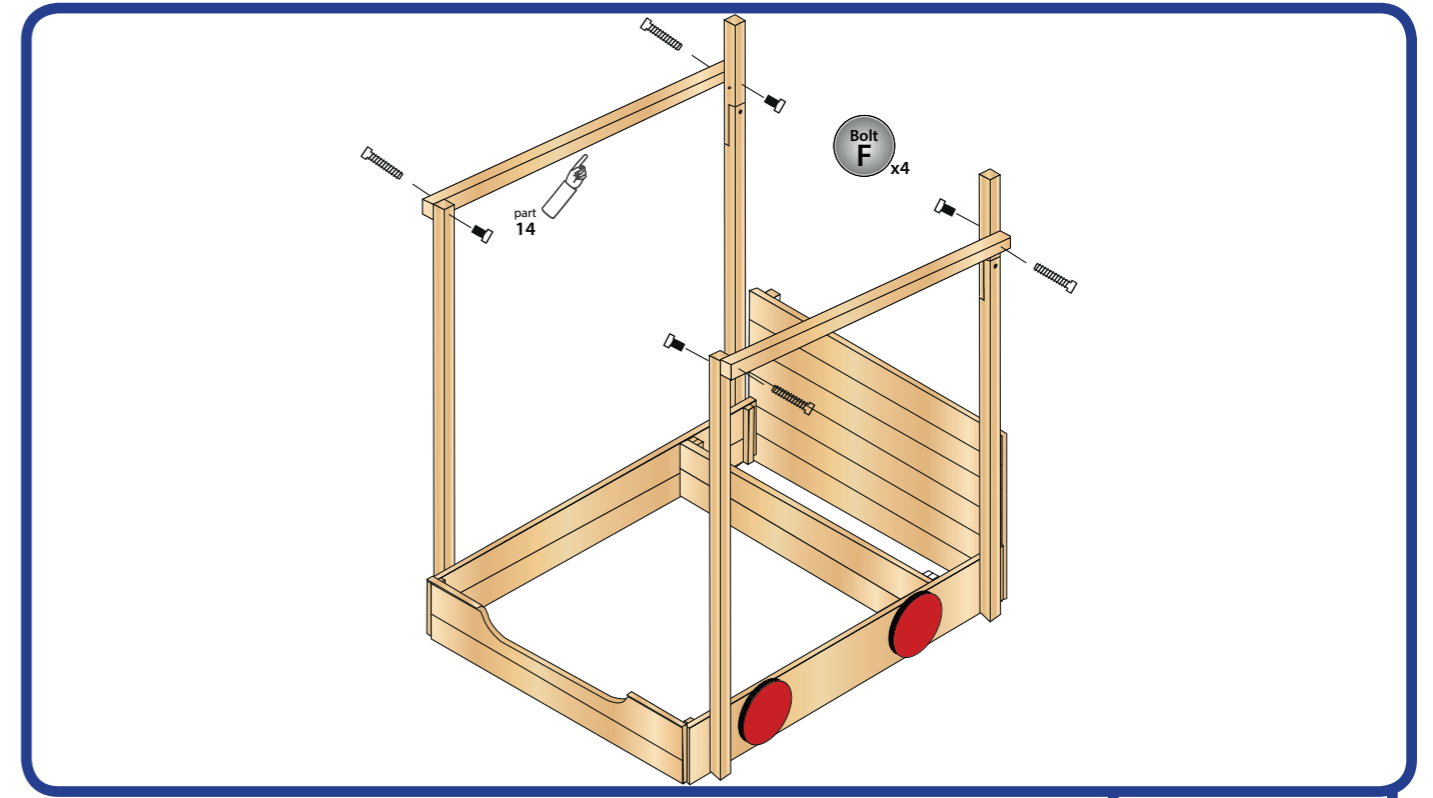


diagram 3a

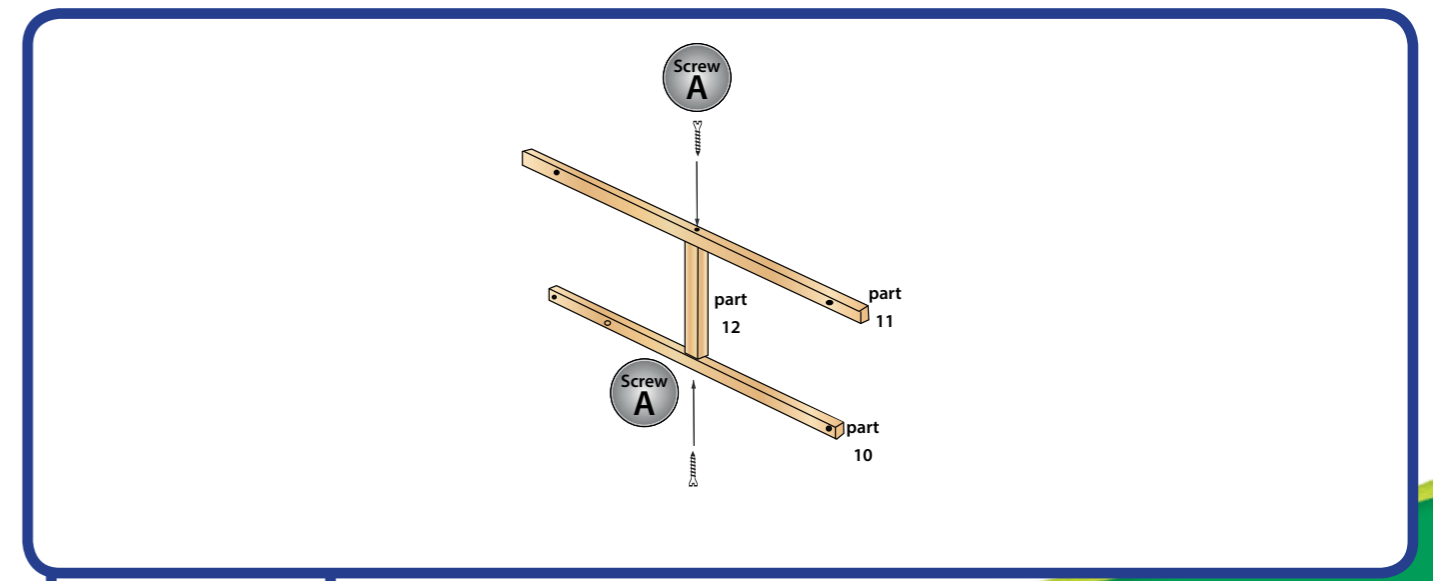


diagram 3b

Completing the Train Carriage

You will need:

Window Frame (assembled parts 10, 11 and 12) from step 3

The top of the seat/storage box (part 6)

Rear Canopy Support (part 13)

Batons for front and rear of canopy (parts 15)

Canopy (part 23)

4 x Screws 'A' and 2 x Bolts 'F'

8 x Screws 'C'

Attach the window frame (assembled in Step 3) to the front of the carriage using two screws 'A' in the top, and two Bolts 'F'. See diagram 4a.

Next attach the Rear Canopy Support (part 13) to the vertical rear posts using two screws 'A'.

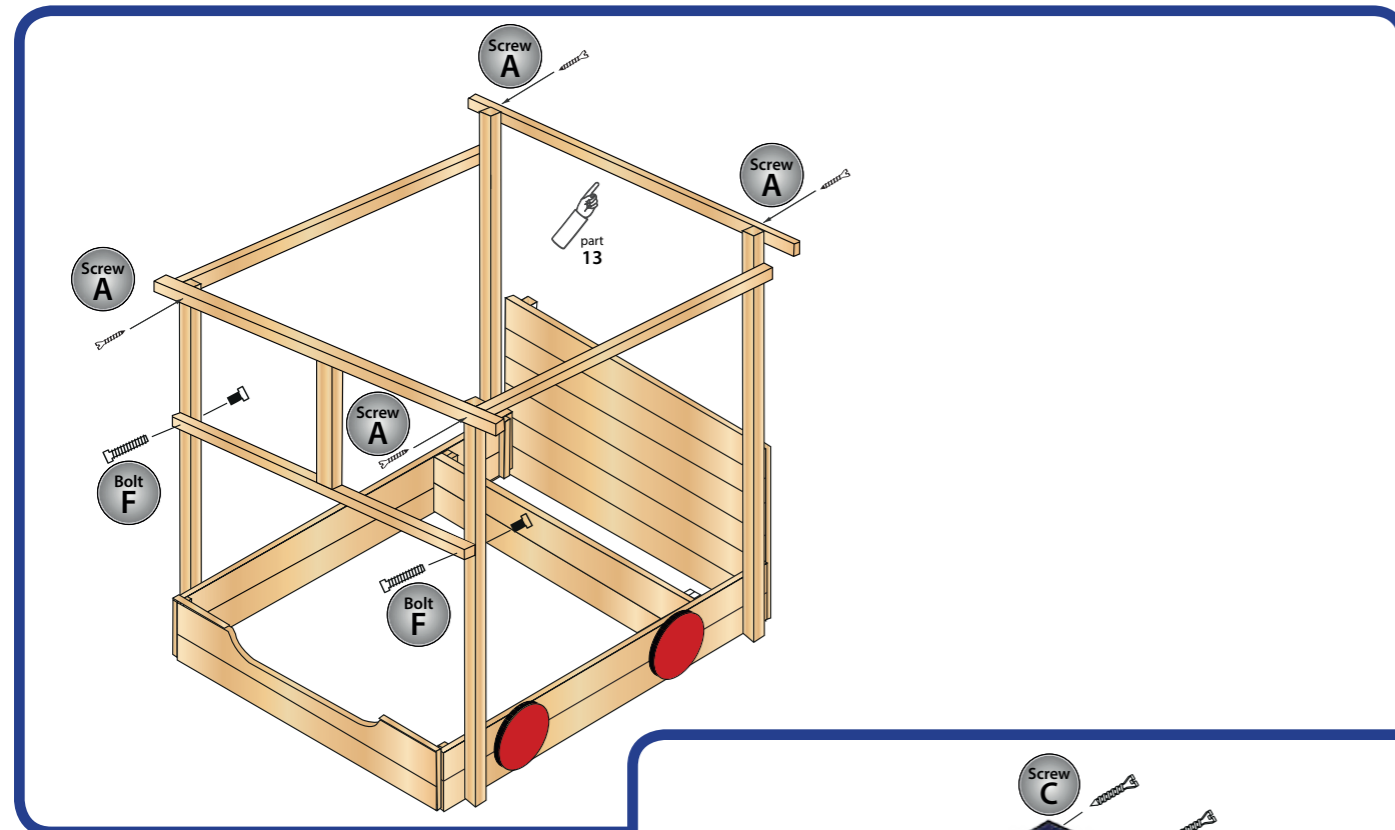


diagram 4a

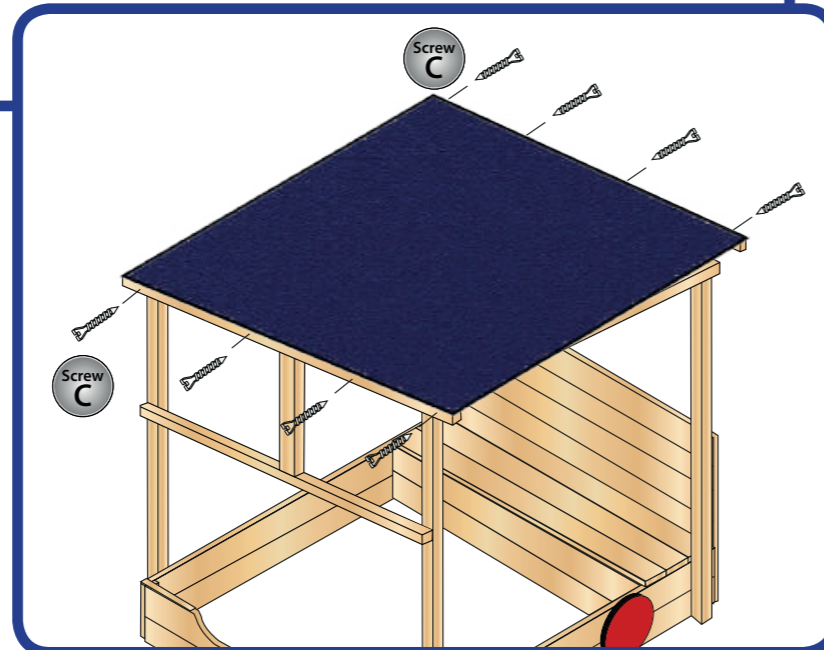


diagram 4b

Part 6 is the lid of the storage box and creates the seat that your children can sit on. This is just placed on top of part 5 and the sides of the sandpit.

Building the Tunnel - Part One

You will need:

The front and rear metal frame of the tunnel (parts 22)

2 x Tunnel Side Panels (parts 16)

2 x Tunnel Side Roof Panels (parts 17)

4 x Wheels (parts 20)

36 x Screws 'E' and 12 x Screws 'D'

Attach the side panels of the tunnel (parts 16) to the front and rear metal frames using six screws 'E' at each corner (see diagram 5a).

Screw each wheel on using three screws 'D' (in the same fashion as the wheels on the main cab).

Then taking the two 'side' roof panels for the tunnel - attach these diagonally onto the frame using three screws 'E' at the end of each panel. See diagram 5b.

diagram 5a

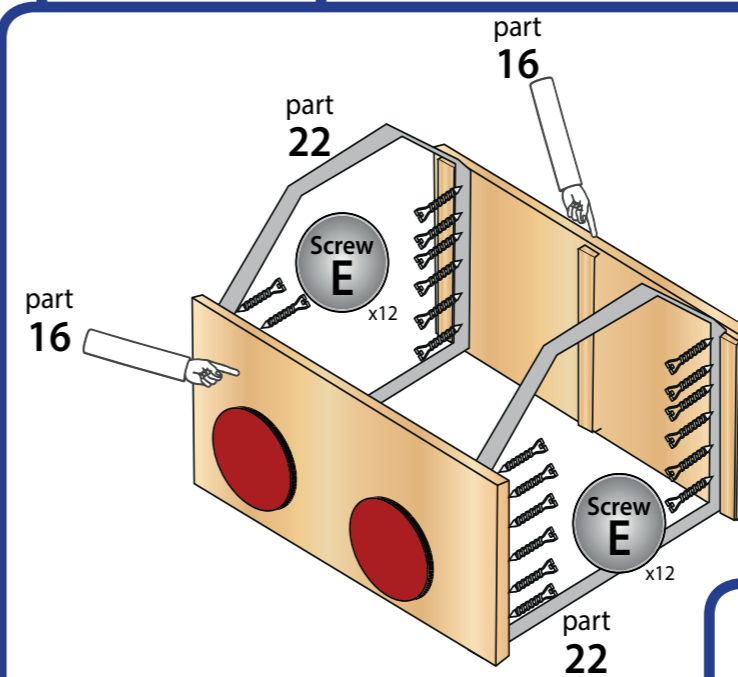
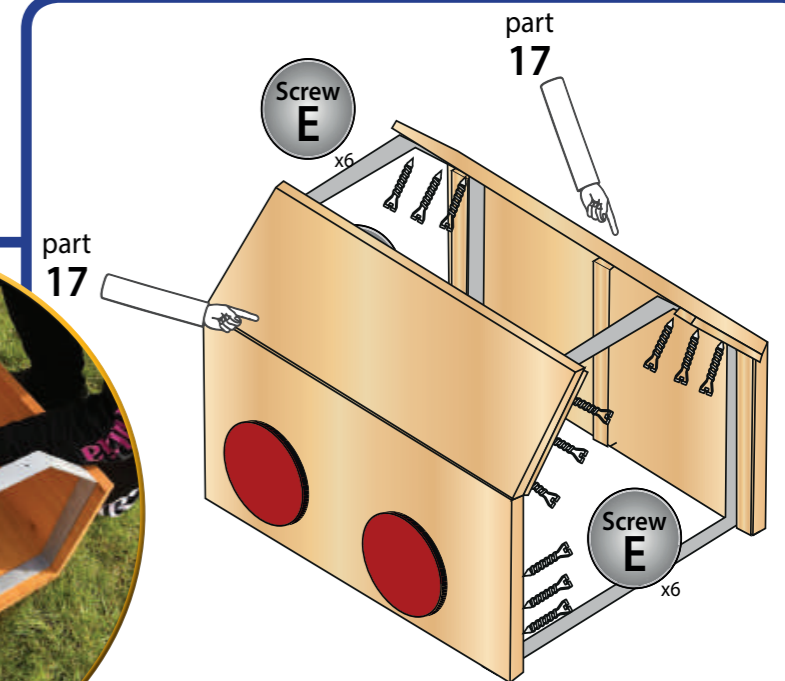


diagram 5b



6

The Tunnel - Part Two

You will need:

- 1 x Tunnel Top Panel (part 18)
- 1 x Tunnel Chimney (part 19)

- 8 x Screws 'E'
- 2 x Screws 'A'

Attach the chimney (part 19) to the top panel using two screws 'A'.

Place the top panel (part 18) of the tunnel on and fix in place using eight screws 'E' - four at the front and four at the back. See diagram 6.

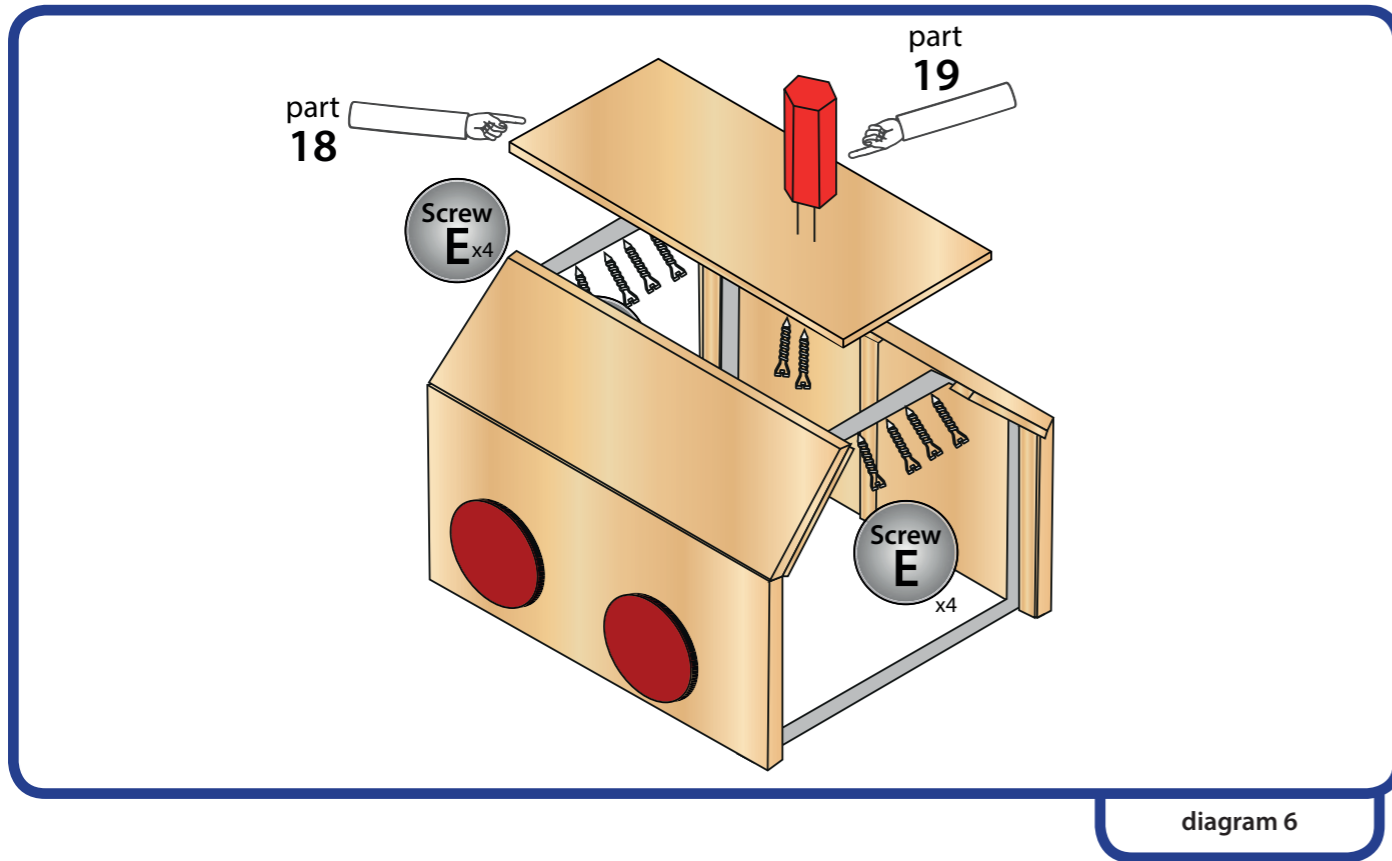


diagram 6

7

Finishing Touches

You will need:

Steering Wheel (part 21) and 1 x Bolt 'G'

Cover and Underlay (parts 24 and 25)

Attach the wheel to the front cross bar (part 10) using bolt 'G' (see diagram 7a).

Place the underlay inside the sandpit (you can place the underlay/ground sheet out flat and place the sandpit on top of this if you prefer).

The cover (part 25) is tied on at each corner using the straps attached.

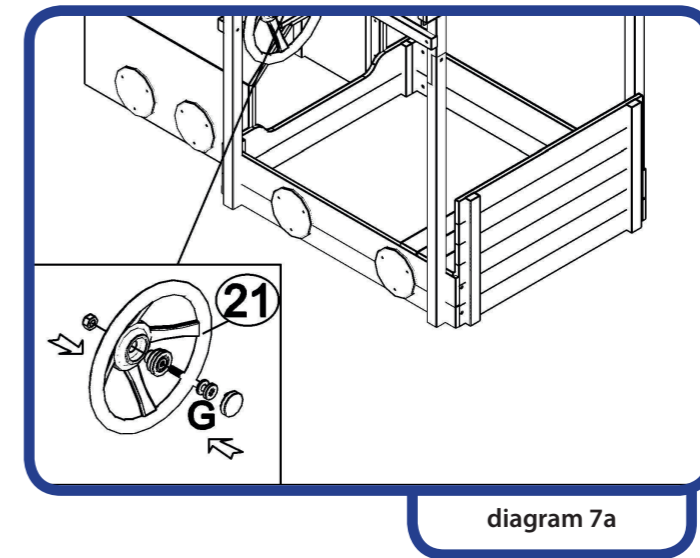


diagram 7a



Now your sandpit is complete, you simply need to decide where you are going to place it. Make sure it is on a level surface at least 2m from any structure such as a garage, house, overhanging branches or clothes lines. This should be on a soft surface (not concrete, asphalt or any other hard surface).

Put it in position, with the tunnel pushed right up against the front of the sandpit.

We would now recommend you go round all the screws and bolts just to make sure they are all tight as they can loosen slightly when you move the sandpit. Fill the sandpit with sand and it is now ready to use.



When the sandpit is not being used...

Don't forget to tie the sandpit cover on when the sandpit is not being used. You do this simply by tying each corner to each one of the four posts around the main cabin/sandpit.

The cover will help to protect it, keep it looking good and keep leaves, debris and cheeky little animals out of the sand! You may want to wipe your cover and sandpit canopy down every year as over time it will gather dirt - just use warm soapy water. An item with a height greater than the sandpit can be placed in the centre of the sandpit before the cover is placed on top. This will prop up the cover and allow water to run off and prevent "puddling".

Should water accumulate and form a pool, please ensure this water is removed regularly as the water can pose a danger to children.

Remember - as the underlay is a geotextile material, water can still pass through. This means if the ground around your sandpit gets particularly sodden during the winter, the sand in your sandpit will get wet - the cover is not designed to keep your sand completely dry.

If your sand does get particularly wet, make sure you take the cover off on the first sunny day in spring and allow your sand to dry out. You may want to replenish the sand in your sandpit with some extra play sand every year as the sand could get dirty and often gets kicked out through enthusiastic play!



Inspection & Maintenance

We recommend the following inspection and maintenance.



Looking After Your Sandpit

Your sandpit is made of good quality Fir wood. It has been treated to keep it looking good in your garden and to protect it from the elements. Despite this it should be covered in severe weather conditions. We recommend re-treating your sandpit regularly to prolong its life and keep it looking good too. We would recommend a non-toxic wood stain - preferably tested to meet EN71 safety regulations (these are European children's play equipment safety rules). Avoid products which contain ANY of the following: antimony, arsenic, barium, cadmium, chromium, lead, mercury and selenium.

Wood is Natural - so we accept its quirks, naturally!


There will be a reason you have bought a wooden sandpit and not a plastic one. Like us, you are likely to appreciate the beauty and quality that a wooden product can give. They are also a little kinder on the environment than plastic products. As with all wooden products, some variation in colour may be apparent and the wood will expand and shrink in wet and dry conditions. As a result of this natural expanding and contracting some cracks and splits may occur which is normal and nothing to worry about - it just shows it is a natural product. So please accept these quirks, and look after it - it deserves your care and attention!


Weekly to monthly / routine visual inspection


Regularly check the sandpit for splinters - these could hurt little hands or become a choking hazard. Check for any signs of wear and tear. It is important to regularly check all parts, including the crossbeams, supports and panels. If regular checks on the sandpit are not carried out, the unit could overturn or otherwise become a hazard. It is important to check all screws and tighten or replace where necessary.


The following inspection and maintenance should be carried out after assembly and then at least twice a month while in use and at the start of each season; -check all nuts and bolts for tightness and tighten when required; - check all bolts for sharp edges and replace when required;- replace defective parts in accordance with the manufacturer's instructions.


Warnings!


 **Only for domestic use. To be used under the supervision of an adult. Intended for outdoor use by children aged 12 months - 12 years. Install the product in a way to avoid risk of entrapment - with 2 metres between the product and other surfaces. Cover not suitable for children under 3 years / 36 months because of small parts which could be a choking hazard. This product is suitable for 1-4 users with a combined weight of 200kg.**

 **Warnung! Nur für den häuslichen Gebrauch. Nur für Kinder zwischen 12 Monaten - 12 Jahren geeignet. Für vier Kinder mit einem Gesamtgewicht von 200 kg ausgelegt. Für Kinder unter 3 Jahren / 36 Monaten der Deckel ist nicht geeignet, wegen verschluckbare Kleinteile. Durch verschluckbare Kleinteile besteht Erstickungsgefahr. Nur unter der direkten Aufsicht eines Erwachsenen benutzen. Bei der Montage des Produktes in ein Spielgerät oder eine andere Konstruktion muss sichergestellt werden, dass keine Fangstellen für Gliedmasse oder Kleidungsteile entstehen.**

 **Attention! Exclusivement à usage familial. Conçu pour les enfants entre 12 mois - 12 ans seulement. Conçu pour être utilisés par quatre enfants avec un poids combiné de 200kg. La couverture ne convient pas aux enfants de moins de 3 ans / 36 mois, présence de petits éléments susceptibles d'être ingérés ou inhalés - risque d'étouffement.. À utiliser sous la surveillance rapprochée d'un adulte. Au cas où l'on incorpore le produit dans un jeu ou une construction quelconque, il faudra le faire de façon à éliminer tout risque de coincage.**

 **¡Advertencia! Exclusivamente para uso doméstico. Diseñada para niños de entre 12 meses -12 años solamente. Diseñada para ser utilizados por cuatro niños con un peso combinado de 200 kg. La cubierta no conveniente para menores de 3 años / 36 meses - partes pequeñas con riesgo de ingestión o inhalación - riesgo de atragantamiento.. Se utilizará exclusivamente bajo la vigilancia directa de una persona adulta. La instalación de este producto en un juego infantil o otra construcción debe estar hecho así que peligro para quedarse atascado quede excluido.**

 **Attenzione! Solo per uso domestico. Progettata per bambini tra i 12 mesi -12 anni. Progettate per essere utilizzate da quattro bambini con un peso combinato di 200 kg. Il coperchio non adatto ai bambini di età inferiore a 3 anni / 36 mesi - presenza di piccoli elementi suscettibili di ingestione o inalazione - pericolo di soffocamento.. Utilizzare sotto la sorveglianza diretta di un adulto. Effettuare il montaggio in modo che si eviti il rischio di intrappolamento.**

 **Waarschuwing! Alleen voor privé gebruik.. Ontworpen voor kinderen tussen 12 maanden - 12 jaar oud. Ontworpen voor gebruik door vier kinderen met een gecombineerd gewicht van 200 kg. De cover is niet geschikt voor kinderen jonger dan 3 jaar / 36 maanden wegens kleine elementen met het risico op inslikken of inademen - verstikkingsgevaar. Alleen voor privé gebruiken onder toezicht van een volwassene. Het inbouwen van dit product in een speeltoestel of andere constructie dient zodanig te gebeuren dat voor beknelling uitgesloten is.**

ARE YOU a PLAY EXPERT?

Take a photo and share it with us using **#littleplayexpert** or **#bigplayexpert** and be part of our growing network of play experts! Thousands of people every day are showing us that they are truly expert at play and playing in so many different ways - are you?



42 likes

@theplayexperts Literally jumping for joy! I think we are seriously #bigplayexpert s! #nevertotoold #foreveryoung



107 likes

@theplayexperts our niece and daughter enjoying a game at a family wedding. Never too young for chess!



94 likes

loving the hi tower challenge @theplayexperts - its harder than it looks! #bigplayexpert #littleplayexpert



51 likes

The concentration on their faces! #littleplayexpert @theplayexperts

Not Just Sandpits...

You may or may not be aware that we design and make many different kinds of garden games and play equipment.

Big Game Hunters has been designing and creating games for children and families since 1997 - so by now we really do know what we are doing.

Here are just a few that are great for the whole family as well as just the kids...

The Parachute Game



Café Shop Playhouse



Hardwood Boules



Wooden Skittles



Up 4 It



The logo to look out for...

There are many more products we have created - just look out for our Big Game Hunters logo or flower emblem to be sure you have an official product. The brand is not just a logo, it is the whole family of ideas, service and quality that are behind every product. We are not a huge corporate and do not claim to be - we are proud of who we are and what we create so look out for our brand knowing that each product carrying our logo has a special standard we aim to maintain for years and years to come...



Random Factoid Bubbles

One of the very first times sand play was recorded was when giant piles of sand were heaped up in parks in Berlin in 1850.

They called these piles "sand bergs"!

CE Please retain for future reference

Garden Games Limited
Chadwick Farm • Garford
Oxfordshire • OX13 5PD • England

+441865 392439
sales@biggamehunters.co.uk
biggamehunters.co.uk
@theplayexperts

