

Big Game  
hunters

# Sandpits



Picnic Table Sandpit  
Instructions



Screwdriver



Socket Set

### Tools Required

Benötigtes Material / Accessoires / Herramientas  
Strumenti da lavoro / Benodigdheden

Adult Assembly Required

### Parts Included

Unterteile / Liste des pièces / Lista de partes  
Elenco degli elementi / Onderdelen



Bolt A  
(16 x)



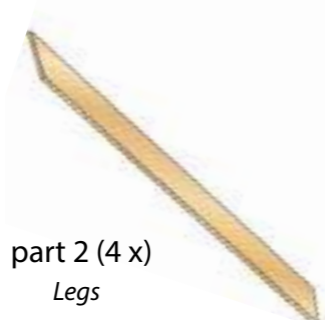
Bolt B  
(8 x)



Washer C  
(24 x)



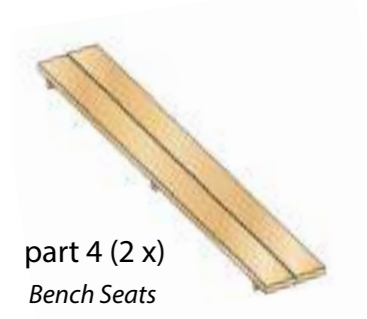
part 1 (4 x)  
Cross Bars



part 2 (4 x)  
Legs



part 3  
Sandbox



part 4 (2 x)  
Bench Seats



part 5  
Table Top



part 6  
Weather Cover

### Remember...

We strongly recommend looking after these instructions, after all without them it will be a bit tricky to put this product together. Even though we know our customers are more intelligent than most, we still think you may find these instructions useful.  
*But if something unexpected were to happen, such as,*



**Burger**  
Your dog ate them...

or your children constructed a kite out of them?

or your neighbour ran over them in their car?

You would have nothing to fear because we have uploaded all of our instructions to our website:  
[www.biggamehunters.co.uk](http://www.biggamehunters.co.uk)

# 1

## Building the Table Legs/A Frames

You will need:

- 4 x Parts 1 (Cross bars)
- 4 x Parts 2 (Legs)
- 4 x Bolts 'A' & 4 x Washers 'C'

Assemble the crossbar by bolting two part 1's together with the double thickness ends facing in the opposite directions as shown in diagram 1a.

Next bolt two legs (parts 2) to the assembled cross bar using 4 x bolts 'A' and washers 'C' then secure with nuts to make an A frame.

**Do not tighten the nuts at this stage or the pre drilled holes at the top of the legs will not line up when you connect the sandbox.**

Repeat to make the other A frame - these will form the table legs.

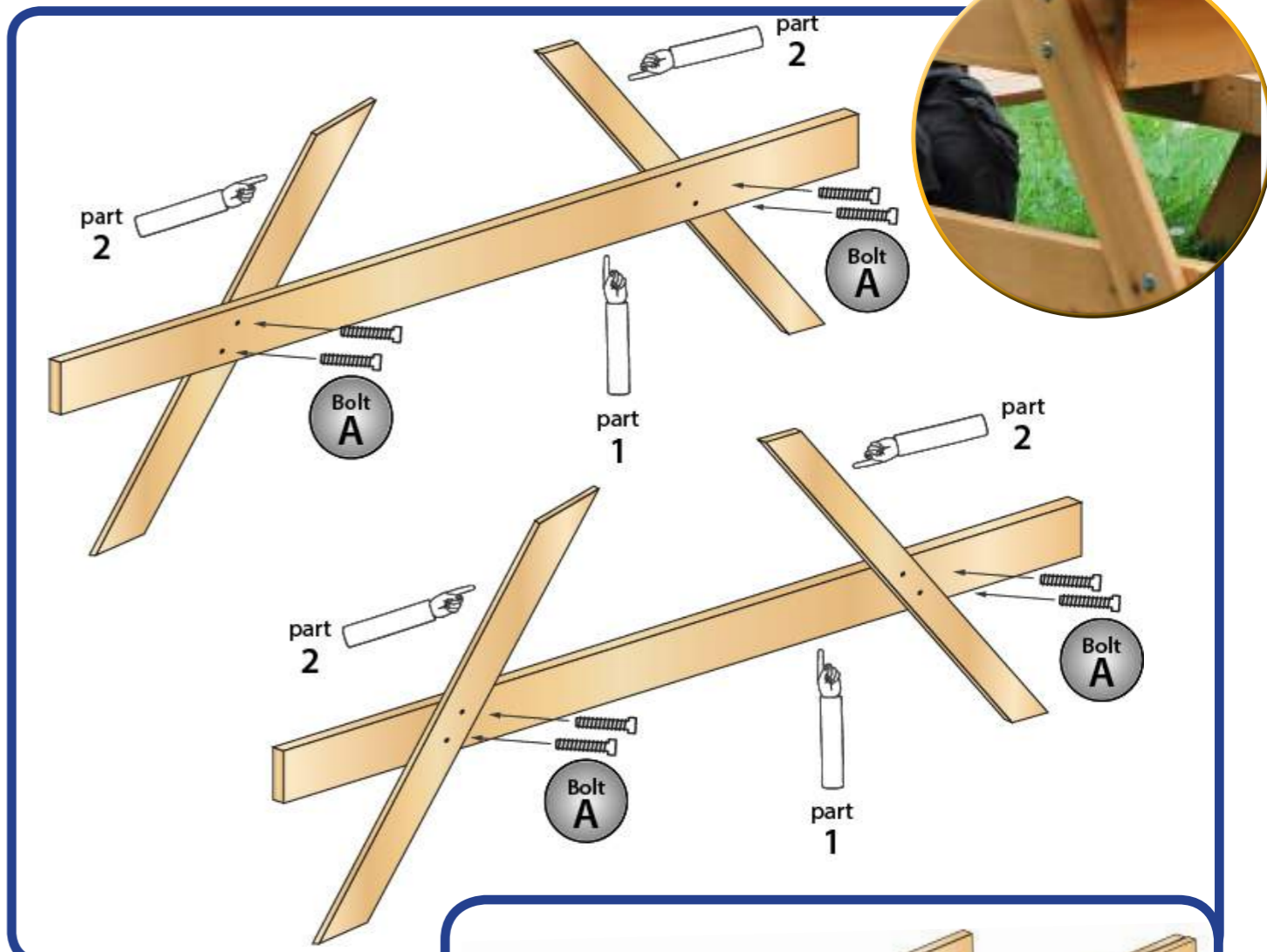
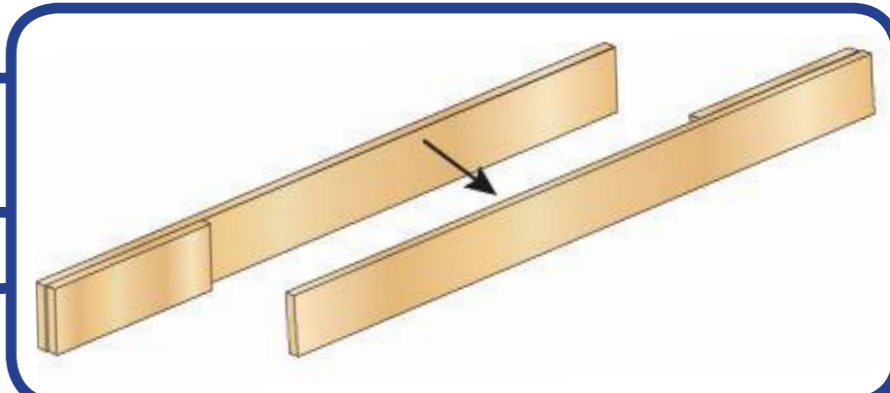


diagram 1

diagram 1a



# 2

## Fixing the Sandbox

You will need:  
Part 3 (Sandbox)  
8 x Bolts 'B' & 8 x Washers 'C'

Bolt the sandbox (part 3) to the top of the two assembled A frames (parts 2) **MAKING SURE THE CROSSBARS ARE ON THE INSIDE** using 8 x Bolts 'B' and 8 x Washers 'C'. Place the picnic table sandpit on level ground and ,make sure all legs are touching the ground and that the table top is level. Now tighten all the nuts and bolts.

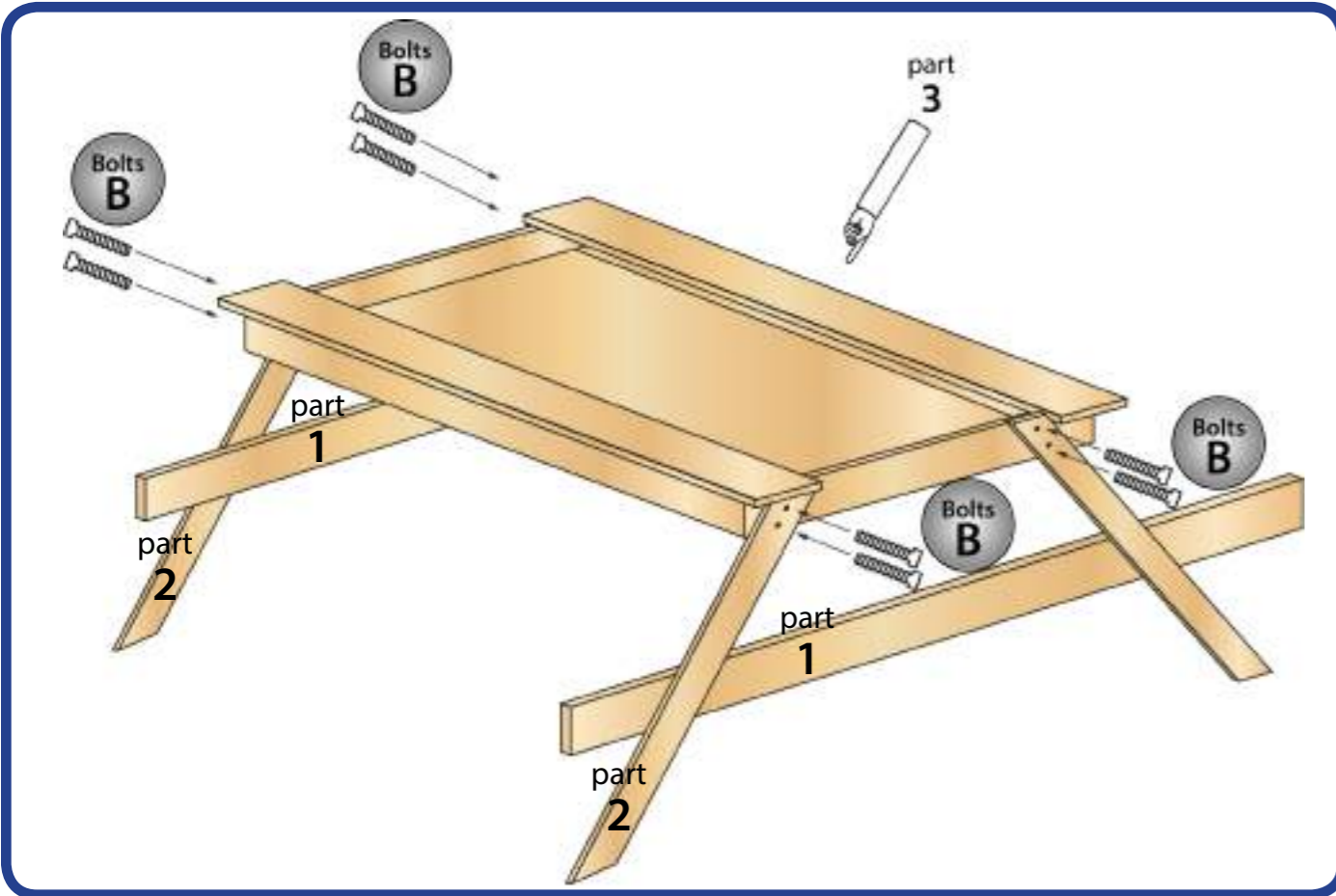


diagram 2



diagram 2a



diagram 2b

# 3

## Attaching the Bench Seats

You will need:  
2 x Parts 4 (Bench seats)  
8 x Bolts 'A' & Washers 'C'

Attach the two seats (parts 4) to the cross bars of the A frames using 8 x Bolts 'A' and 8 x Washer's 'C' then secure with the nuts.

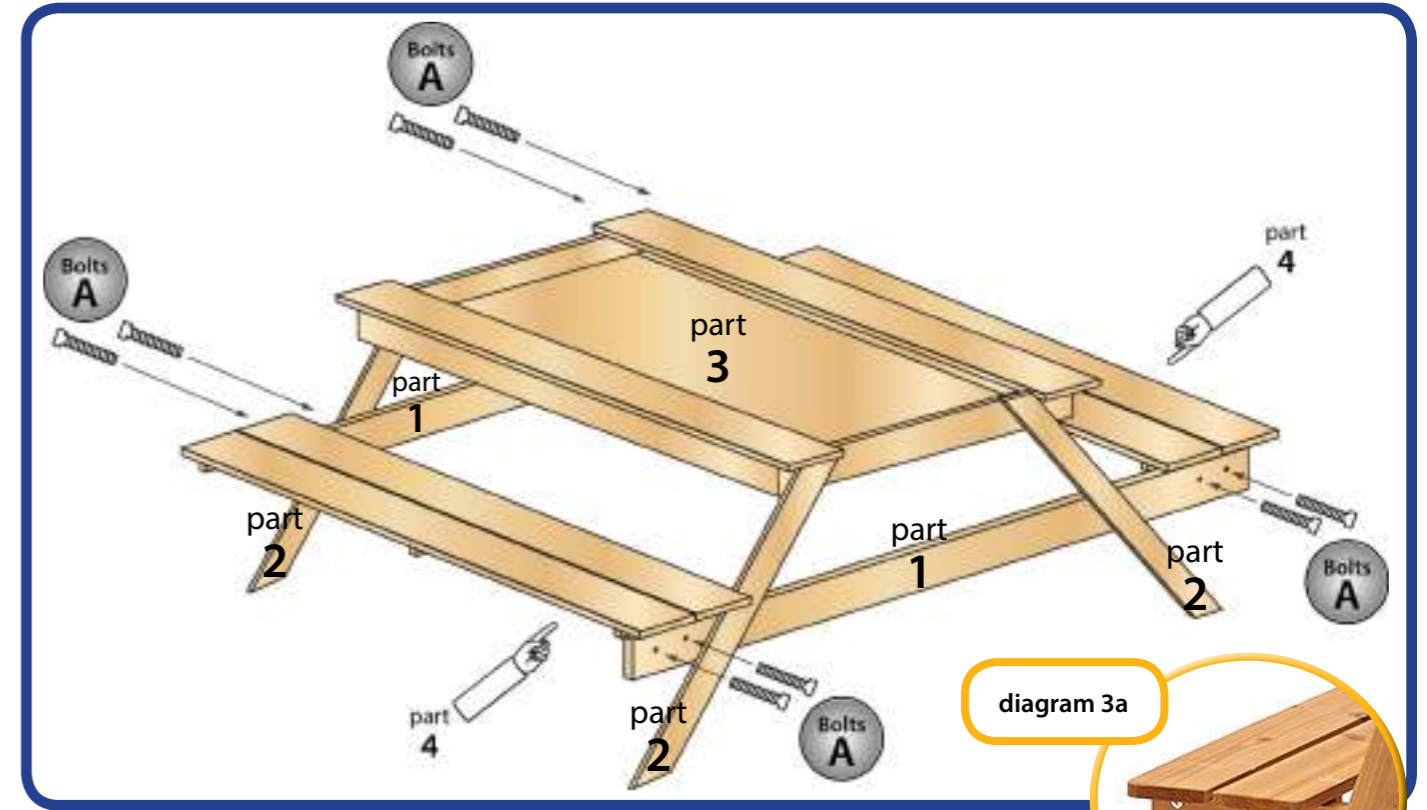


diagram 3

diagram 3a



# 4

## Placing the Top

You will need:  
Part 5 (Table top)

Place the table top (part 5) on the sandbox to close the top of your picnic table sandpit.

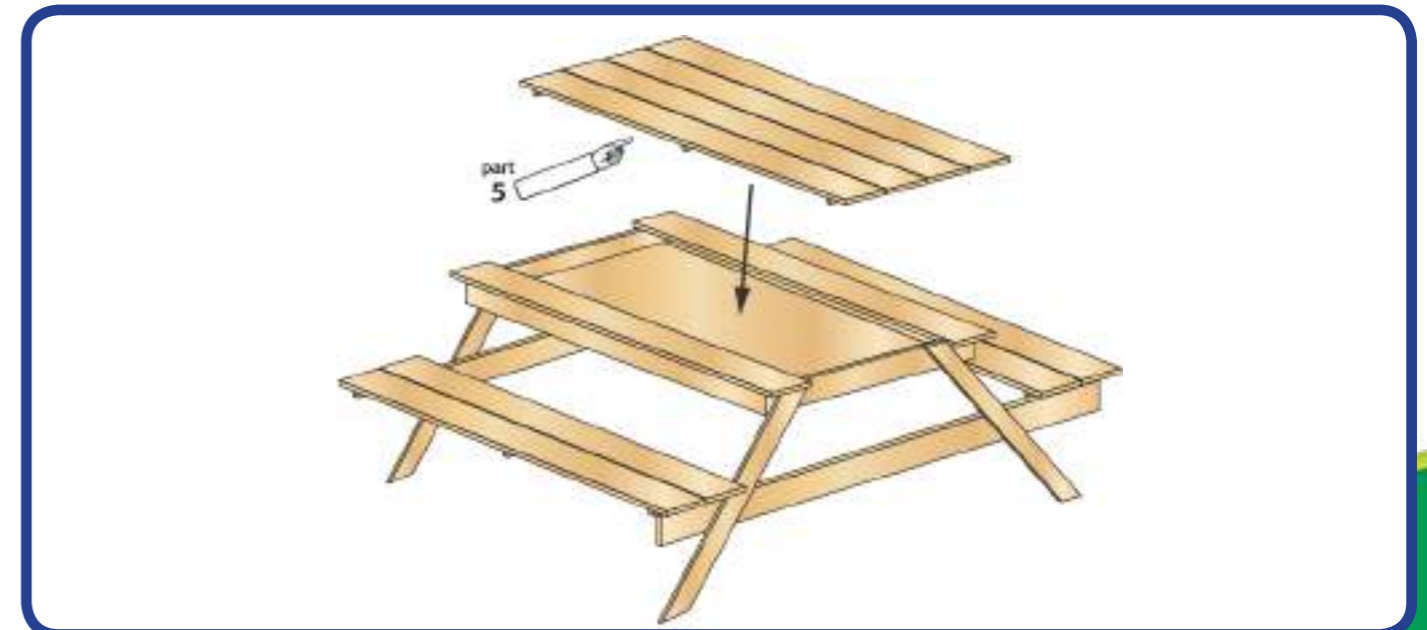


diagram 4

## The Finale

Now your sandpit is complete, you simply need to decide where you are going to place it.

We would now recommend you go round all the screws and bolts to make sure they are all tight as they can loosen slightly when you move the sandpit. Fill the sandpit with sand and it is now ready to use.



### When the sandpit is not being used...

Don't forget to put the showerproof cover on when the sandpit table is not being used. The cover will help to protect it and keep it looking good.

If your sand gets particularly wet, make sure you take the cover off on the first sunny day in spring and allow your sand to dry out. You may want to replenish the play sand in your sandpit every year as it can get dirty and often gets thrown out through enthusiastic play! Placing the wooden top and rain cover after every use will help keep leaves, debris and cheeky little animals out of the sand!



### Inspection & Maintenance

We recommend the following inspection and maintenance.



#### Looking After Your Sandpit

Your Picnic Table Sandpit is made of good quality fir wood. It has been treated to keep it looking good in your garden and to protect it from the elements. Despite this it should be covered in severe weather conditions. We recommend re-treating your sandpit regularly to prolong its life and keep it looking good too.

We would recommend a non-toxic wood stain - preferably tested to meet EN71 safety regulations (these are European children's play equipment safety rules).

**Avoid products which contain ANY of the following:**

**antimony, arsenic, barium, cadmium, chromium, lead, mercury and selenium.**

#### Wood is Natural - so we accept its quirks, naturally!

There will be a reason you have bought a wooden sandpit and not a plastic one. Like us, you are likely to appreciate the beauty and quality that a wooden product can give. They are also a little kinder on the environment than plastic products. As with all wooden products, some variation in colour may be apparent and the wood will expand and shrink in wet and dry conditions. As a result of this natural expanding and contracting some cracks and splits may occur which is normal and nothing to worry about - it just shows it is a natural product.

So please accept these quirks, and look after it - it deserves your care and attention!

#### Weekly to monthly / routine visual inspection

Check wood for splinters which may occur - these could hurt little hands or become a choking hazard.

Check for loose screws and fixings and tighten where and when necessary.


#### 1 - 3 Months / operational inspection


Check the stability of the construction


#### 1 - 2 times per year / annual inspection


Check for rust and corrosion of bolts and screws and replace where necessary.


### Warning!


 **Adult assembly required. For family domestic use only. Cover not suitable for children under 3 years / 36 months because of small parts which could be a choking hazard. To be used under the supervision of an adult. Install the product in a way to avoid risk of entrapment - with sufficient gap between the product and other surfaces.**

 **Warnung! Die Montage muss von Erwachsenen durchgeführt werden. Nur für den häuslichen Gebrauch. Für Kinder unter 3 Jahren / 36 Monaten der Deckel ist nicht geeignet, wegen verschluckbare Kleinteile. Durch verschluckbare Kleinteile besteht Erstickungsgefahr. Nur unter der direkten Aufsicht eines Erwachsenen benutzen. Bei der Montage des Produktes in ein Spielgerät oder eine andere Konstruktion muss sichergestellt werden, dass keine Fangstellen für Gliedmasse oder Kleidungsstücke entstehen.**

 **Attention! L'assemblage doit être fait par des adultes. Exclusivement à usage familial. La couverture ne convient pas aux enfants de moins de 3 ans / 36 mois, présence de petits éléments susceptibles d'être ingérés ou inhalés - risque d'étouffement.. À utiliser sous la surveillance rapprochée d'un adulte. Au cas où l'on incorpore le produit dans un jeu ou une construction quelconque, il faudra le faire de façon à éliminer tout risque de coincage.**

 **¡Advertencia! El ensamblaje debe ser hecho por adultos. Exclusivamente para uso doméstico. La cubierta no conveniente para menores de 3 años / 36 meses - partes pequeñas con riesgo de ingestión o inhalación - riesgo de atragantamiento.. Se utilizará exclusivamente bajo la vigilancia directa de una persona adulta. La instalación de este producto en un juego infantil o otra construcción debe estar hecho así que peligro para quedarse atascado quede excluido.**

 **Attenzione! L'assemblaggio deve essere fatto dagli adulti. Solo per uso domestico. Il coperchio non adatto ai bambini di età inferiore a 3 anni / 36 mesi - presenza di piccoli elementi suscettibili di ingestione o inalazione - pericolo di soffocamento.. Utilizzare sotto la sorveglianza diretta di un adulto. Effettuare il montaggio in modo che si eviti il rischio di intrappolamento.**

 **Waarschuwing! De montage moet door volwassenen worden gedaan. Alleen voor privé gebruik. De cover is niet geschikt voor kinderen jonger dan 3 jaar / 36 maanden wegens kleine elementen met het risico op inslikken of inademen - verstikkingsgevaar. Alleen voor privé gebruiken onder toezicht van een volwassene. Het inbouwen van dit product in een speeltoestel of andere constructie dient zodanig te gebeuren dat voor beknelling uitgesloten is.**

# ARE YOU a PLAY EXPERT?

Take a photo and share it with us using **#littleplayexpert** or **#bigplayexpert** and be part of our growing network of play experts! Thousands of people every day are showing us that they are truly expert at play and playing in so many different ways - are you?



42 likes

@theplayexperts Literally jumping for joy! I think we are seriously #bigplayexpert s ! #nevertoold #foreveryoung



107 likes

@theplayexperts our niece and daughter enjoying a game at a family wedding. Never too young for chess!



94 likes

loving the hi tower challenge @theplayexperts - its harder than it looks! #bigplayexpert #littleplayexpert



51 likes

The concentration on their faces! #littleplayexpert @theplayexperts

## Not Just Sandpits...

You may or may not be aware that we design and make many different kinds of garden games and play equipment.

Big Game Hunters has been designing and creating games for children and families since 1997 - so by now we really do know what we are doing.

Here are just a few that are great for the whole family as well as just the kids...

The Parachute Game



Whacky Ranch Playhouse



Hardwood Boules



Wooden Skittles



Up 4 It



### The logo to look out for...

There are many more products we have created - just look out for our Big Game Hunters logo or flower emblem to be sure you have an official product. The brand is not just a logo, it is the whole family of ideas, service and quality that are behind every product. We are not a huge corporate and do not claim to be - we are proud of who we are and what we create so look out for our brand knowing that each product carrying our logo has a special standard we aim to maintain for years and years to come...



Random Factoid Bubbles

One of the very first times sand play was recorded was when giant piles of sand were heaped up in parks in Berlin in 1850.

They called these piles "sand bergs"!

CE Please retain for future reference