

Horizon floating shelf

Les Mille et Une Nuits Collection
Designed by Guillaume Delvigne

The Horizon floating shelf is inspired by the painting
Les Mille et Une Nuits by Henri Matisse (1950).

Made in Portugal



MATERIALS & FINISHES

Materials 100% recycled cork (durable, rot-resistant, and free of chemical processes material) from a FSC®- C022338 certificated company. Crafted in Portugal, each piece is laser-cut, painted and finished by hand, requiring the know-how of local specialists.

Available in 4 colors



MFW23MNFGD019
grey and yellow



MFW23MNFGD020
grey



MFW23MNFGD021
grey and green



MFW23MNFGD022
grey and red

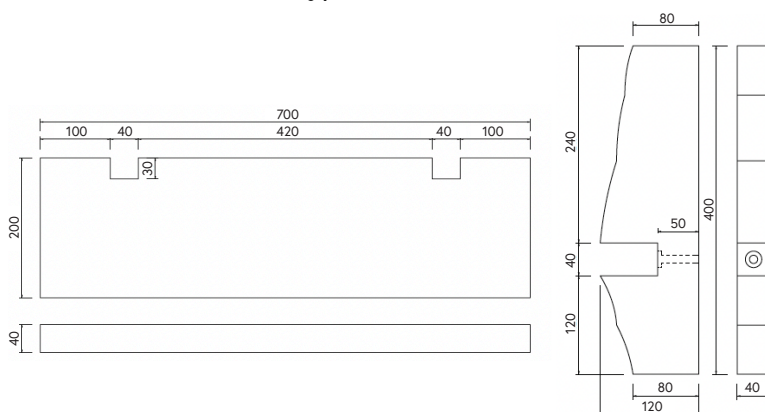
TECHNICAL INFORMATION

Attachment system Two fishers and screws are provided (they are adapted for almost all types of walls, but it is up to the installer to use the type of fisher based on the material of the wall).

Weight 2.1 kg

Dimensions
Height: 15.7" - 40 cm
Length: 27.5" - 70 cm
Depth: 8.7" - 22 cm

Packaging size 74 x 25 x H12 cm



OTHERS INFORMATION

Maintenance advice Clean with a soft, slightly damp cloth. The use of abrasive products is strongly discouraged. Prolonged exposure to direct sunlight may alter the color. Not suitable for outdoor use.

Use advice As cork is a soft material, we recommend that you spread the load over the entire surface of the shelf and not exceed a total load of 6kg.

Delivery In stock

Do not hesitate to contact us for further information at
pro@maison-matisse.com