

# VEROBOARD®

LED Type: **VBDFS-COB840W4.5-RGB-24S**  
 Colour: **RGB**



Contact Name: \_\_\_\_\_

Company: \_\_\_\_\_

Phone: \_\_\_\_\_

Email: \_\_\_\_\_

## DESCRIPTION

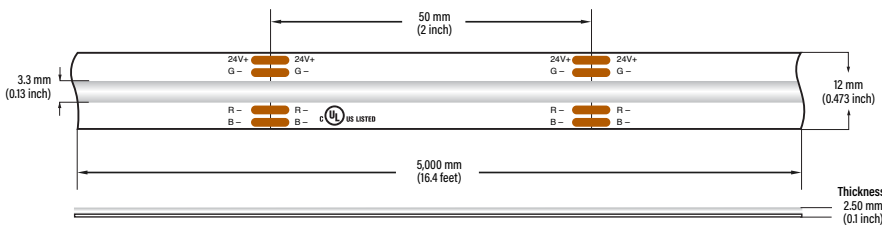
Flexible 12mm wide linear LED strip. Available in 5 meter (16.4 feet) rolls that can be cut every 2 inches. The LED Strip lights are manufactured with high-quality materials and designed for professional lighting. Every strip light begins with a heavyduty dual-core copper printed circuit board (PC Board), which is then soldered with an array of chips and color options. Moreover, the strip lights come with a strong 3M adhesive backing. They can be cut to any size (marked interval points) and rejoined by soldering. The RGB COB LED Strips can work with LED Controllers to adjust the static shade or dynamic settings, you can readjust the rate of dynamic setting or the illumination of fixed color.

	Wattage
Per Foot	4.5W/ft
Per Meter	15W/m



666561429294

## DIMENSIONS



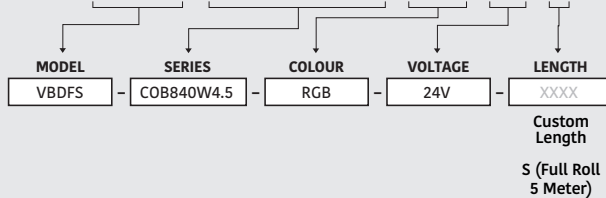
## SPECIFICATIONS

Model:	VBDFS-COB840W4.5-RGB-24S
Color Temperature:	RGB
LED Type:	COB
LED Qty:	840 LEDs per meter
Input Voltage (VF):	24V DC
Power:	15W per meter (4.5W/ft)
Lifespan:	>50,000 hours
PCB:	3oz PCB, Double-side, white colour 12mm width
IP Rating:	IP20 (Indoor use only)
Rendering Index (Ra):	CRI>95
Beam Angle:	180°
Dimmable:	Yes
Cut Size:	Every 2"
Operating Temperature:	-15°C to +40°C
Dimensions:	5,000 x 12 x 2.50mm (196.8" x 0.473" x 0.1")
Certificates:	UL / RoHs
Roll Length:	5 meter roll (16.4ft)



## ORDERING GUIDE

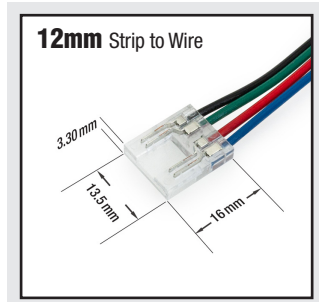
Example part number: **VBDFS - COB840W4.5 - RGB - 24 - S**



For more information about our products and services, please visit our website: [www.veroboard.com](http://www.veroboard.com)

## CONNECTORS (Sold Separately)

**Note:** Connectors fit in some aluminum channels only.



**MODEL:**

**VBD-RGBBC-12MM-1S1W**

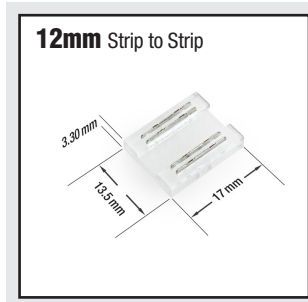
**Material:** Clear Plastic

**Strip Light Width:** 12mm

**Package Content:** LED Strip to Wire Connector (Pack of 1)

**Dimensions:** 16 x 13.5 x 3.3mm  
(0.62" x 0.53" x 0.12")

666561430290



**MODEL:**

**VBD-RGBBC-12MM-2S**

**Material:** Clear Plastic

**Strip Light Width:** 12mm

**Package Content:** LED Strip to Strip Connectors (Pack of 3)

**Dimensions:** 17 x 13.5 x 3.3mm  
(0.66" x 0.53" x 0.12")

666561430306

## CONTROLLERS (Sold Separately)



**Model:** SR-2819S (R3)

**SKU:** 666561430863

**Compatible Receivers:**

- |                           |          |                          |
|---------------------------|----------|--------------------------|
| • SR-1009EA-5C (R-25.5A)  | 300-900W | <b>SKU:</b> 666561430818 |
| • SR-1009TYWi-5C (R-4A)   | 300-900W | <b>SKU:</b> 666561430788 |
| • SR-1009EATYWi-5C (R-8A) | 96-192W  | <b>SKU:</b> 666561430795 |



**Model:** VBD-MI-4Z-B3

**SKU:** 666561412913

**Compatible Receivers:**

- |                 |                          |
|-----------------|--------------------------|
| • VBD-MI-FUT037 | <b>SKU:</b> 666561412869 |
| • VBD-MI-FUT038 | <b>SKU:</b> 666561425180 |

To see all available controllers and remote controls, please scan the QR code with your smartphone.

**Disclaimer:**

The data and information contained in this specification sheet are subject to change without notice; the ratings supplied are provided based on the product manufacturer. The information contained in this specification sheet should not be considered a warranty, expressed or implied, including, but not limited to, a warranty of merchantability or fitness for a particular purpose. In no event shall Veroboard be liable for any incidental or consequential damages resulting from the use, misuse, or inability to use the product. This exclusion applies regardless of whether such damages are sought based on breach of warranty, breach of contract, negligence, strict liability in tort, or any other legal theory.



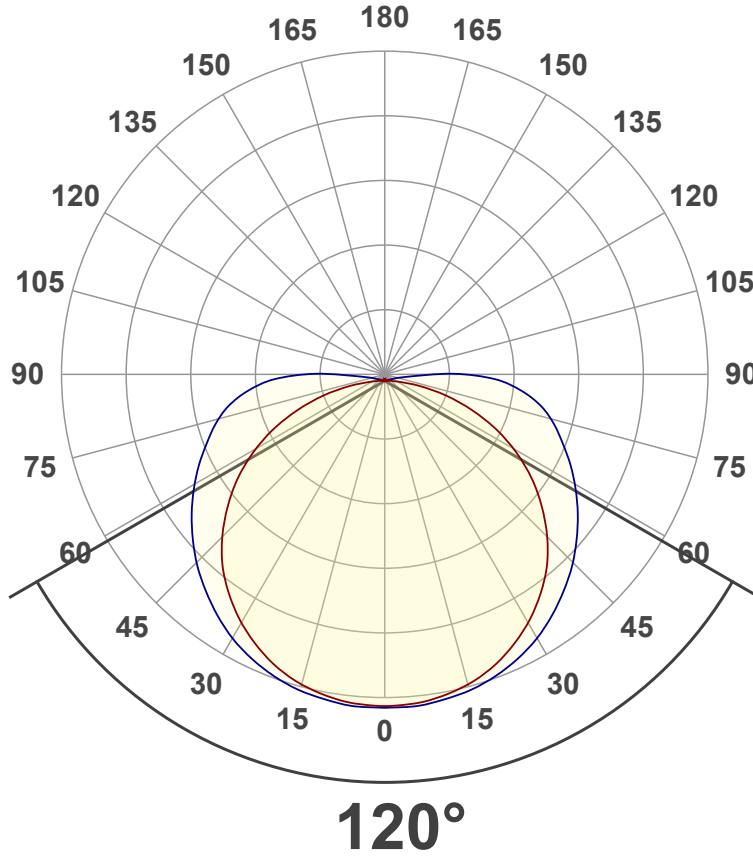
# Light Measurement Report

Print date: 2023-05-02

Measurement date and time: 2023-05-02 1:21:58 PM – Measurement no. VFR-230502-0199-MS

## Luminous Intensity diagram

Unit: 0-100% of peak intensity



## Main Values

Lumen Up% / Down%	4.04% / 95.96%
Peak Intensity	6.42 cd
Beam Angle (50%)	120°
Beam Angle (90%)	160.5°
Beam Angle (10%)	119.7°

## Cut-off Angle

Average 2,5%	193.3°
--------------	--------

## Field Angle

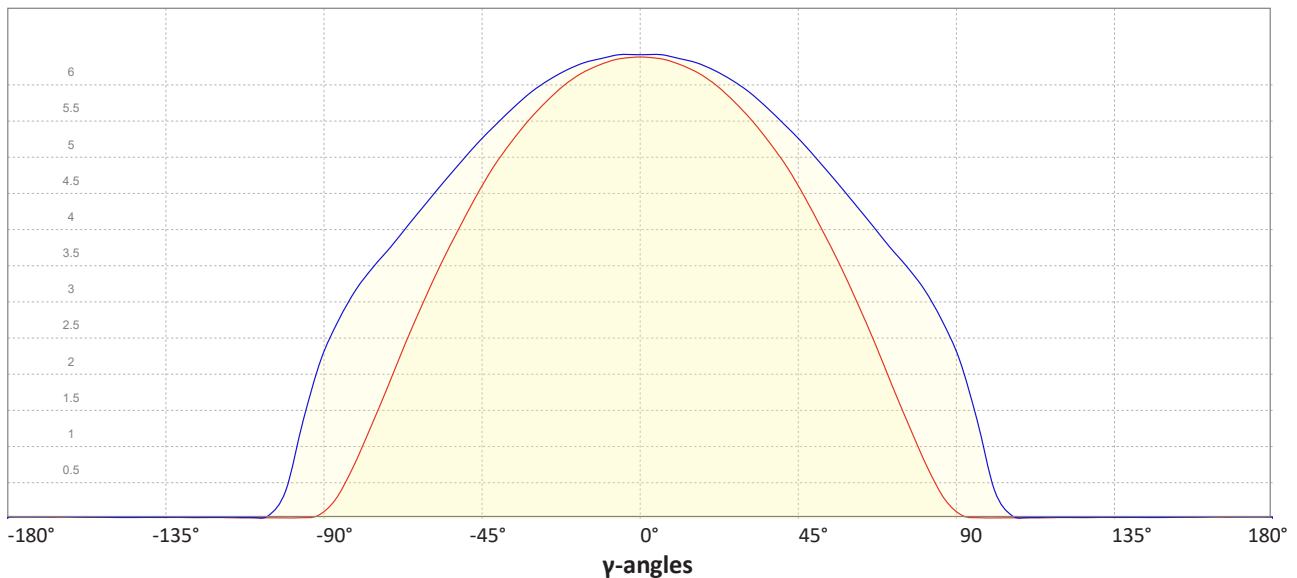
Average 10%	182.2°
-------------	--------

## Intensity Ratio

In 120° cone	64.9%
In 90° cone	42.1%

**C000-C180**  
**C090-C270**

## Linear distribution diagram - Intensity (candela) vs $\gamma$ -angle



# Light Measurement Report

Print date: 2023-05-02

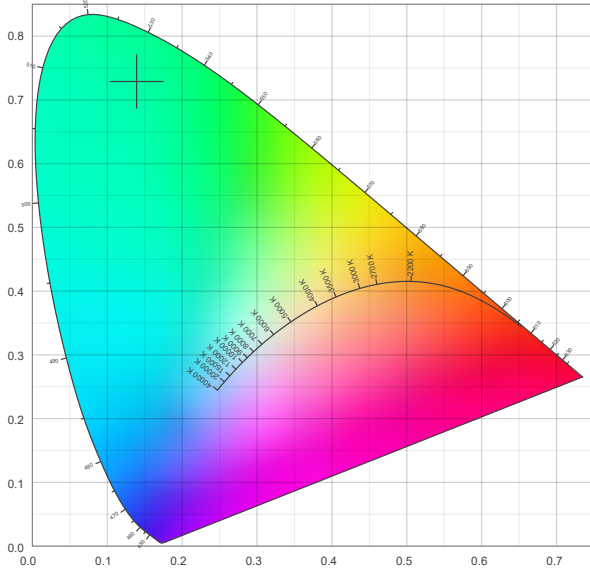
Measurement date and time: 2023-05-02 1:21:58 PM – Measurement no. VFR-230502-0199-MS

## Color details

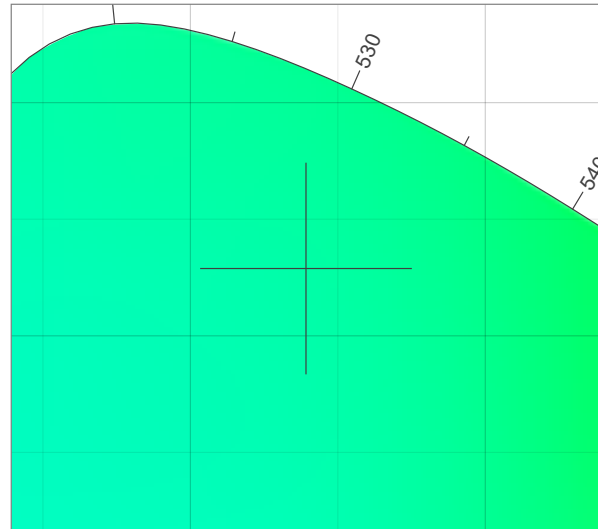
Correlated Color Temperature, Target CCT = 0 K  
 Correlated Color Temperature, Measured CCT = 0 K  
 Color Rendering Index CRI 0.0  
 Color Rendering Index, R9 (red component) R9 = 0.0  
 Color Rendering TM30-18  $R_f$  0.0 –  $R_g$  0.0  
 Color Quality Scale CQS = 0.0

MacAdam Steps  
 Color coordinates CIE 1931  $(x;y) = (0.139;0.729)$   
 Color coordinate CIEs 1960  $(u;v) = (0.049;0.381)$   
 Color deviation from BBL Duv = n/a  
 Color coordinate CIEs 1976 (CIELUV)  $(u';v') = (0.049;0.049)$

CIE 1931



CIE 1931 – zoomed on Planckian locus



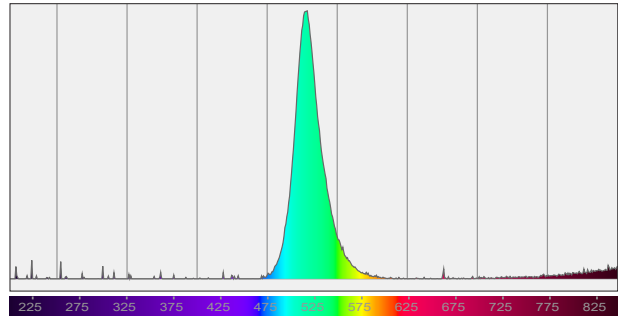
Color Rendering Index per reference color (CIE 1995)

R1	R2	R3	R4	R5	R6	R7	R8	R9	R10	R11	R12	R13	R14	R15	

CRI R values, only R1-R8 are used to calculate final CRI value

R1	R2	R3	R4	R5	R6	R7	R8	R9	R10	R11	R12	R13	R14	R15
0.0	0.0	0.0	0.0	0.0	0.0	0.0	0.0	0.0	0.0	0.0	0.0	0.0	0.0	0.0

Spectral power distribution (SPD) / W/nm – 0-100%



TM30-18 Rf-values per hue bin

C1	C2	C3	C4	C5	C6	C7	C8	C9	C10	C11	C12	C13	C14	C15	C16

TM30 C values, 16 binned values out of total of 99 C values

C1	C2	C3	C4	C5	C6	C7	C8	C9	C10	C11	C12	C13	C14	C15	C16
0.0	0.0	0.0	0.0	0.0	0.0	0.0	0.0	0.0	0.0	0.0	0.0	0.0	0.0	0.0	0.0

Color Quality Scale by reference color

Q1	Q2	Q3	Q4	Q5	Q6	Q7	Q8	Q9	Q10	Q11	Q12	Q13	Q14	Q15	

CQS Q values

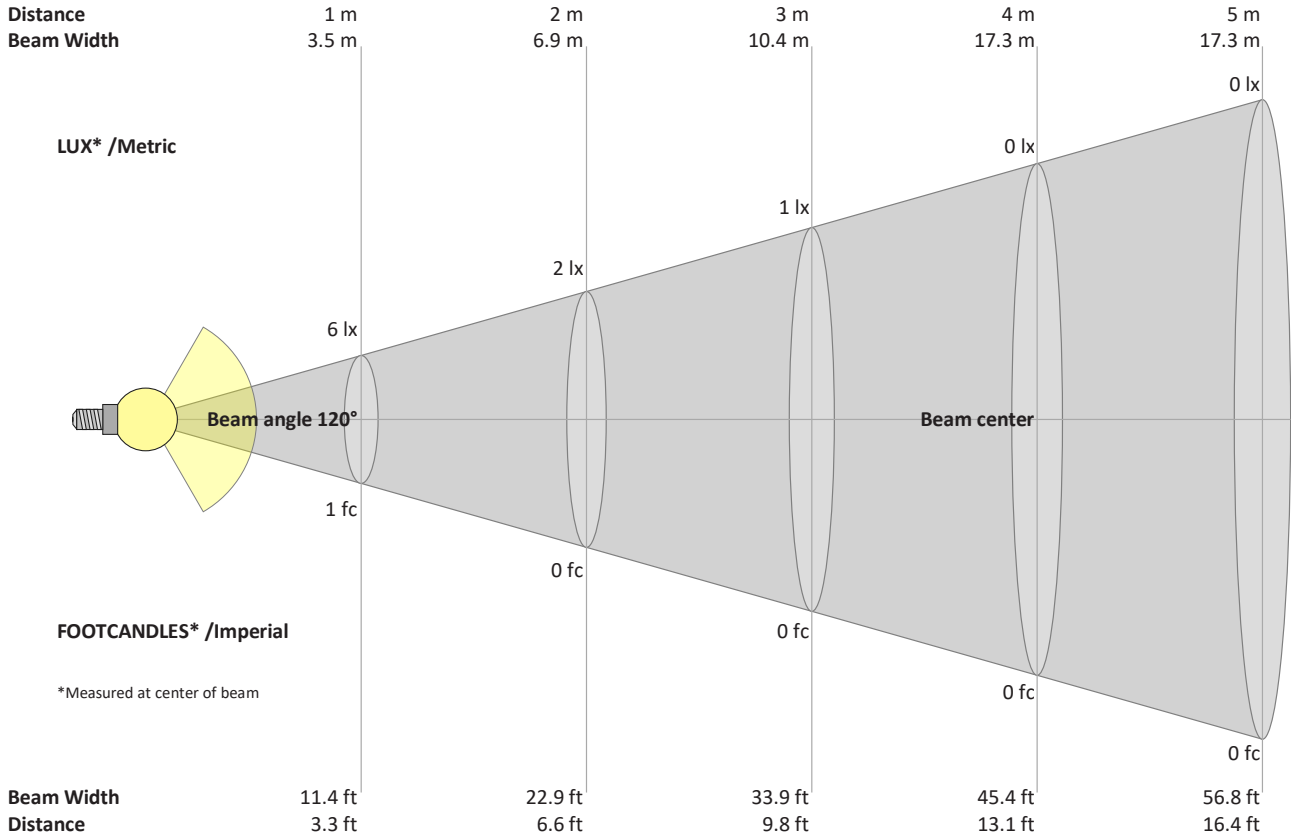
Q1	Q2	Q3	Q4	Q5	Q6	Q7	Q8	Q9	Q10	Q11	Q12	Q13	Q14	Q15
0.0	0.0	0.0	0.0	0.0	0.0	0.0	0.0	0.0	0.0	0.0	0.0	0.0	0.0	0.0

# Light Measurement Report

Print date: 2023-05-02

Measurement date and time: 2023-05-02 1:21:58 PM – Measurement no. VFR-230502-0199-M5

## Beam Details



### Beam intensities from 1 – 20 m

1	2	3	4	5	6	7	8	9	10	11	12	13	14	15	16	17	18	19	20	m	
3.3	6.6	9.8	13.1	16.4	19.7	23	26.2	29.5	32.8	36.1	39.4	42.7	45.9	49.2	52.5	55.8	59.1	62.3	65.6	ft	
6	2	1	0	0	0	0	0	0	0	0	0	0	0	0	0	0	0	0	0	0	lux
0.6	0.1	0.1	0	0	0	0	0	0	0	0	0	0	0	0	0	0	0	0	0	0	fc

### Intensities in 0° c-plane

0°	9°	18°	27°	36°	45°	54°	63°	72°	81°	90°	99°	108°	117°	126°	135°	144°	153°	162°	171°	y	
6.40	6.32	6.12	5.76	5.25	4.60	3.78	2.85	1.81	0.79	0.12	0.01	0.01	0.02	0.02	0.02	0.02	0.02	0.03	0.03	0.03	cd
100%	99%	96%	90%	82%	72%	59%	45%	28%	12%	2%	0%	0%	0%	0%	0%	0%	0%	0%	0%	0%	of 0°val

### Intensities in 90° c-plane

0°	9°	18°	27°	36°	45°	54°	63°	72°	81°	90°	99°	108°	117°	126°	135°	144°	153°	162°	171°	y	
6.40	6.39	6.27	6.03	5.69	5.26	4.77	4.24	3.70	3.16	2.30	0.76	0.03	0.02	0.02	0.02	0.02	0.02	0.03	0.03	0.03	cd
100%	100%	98%	94%	89%	82%	74%	66%	58%	49%	36%	12%	1%	0%	0%	0%	0%	0%	0%	0%	0%	of 0°val

### Intensities in 180° c-plane

0°	9°	18°	27°	36°	45°	54°	63°	72°	81°	90°	99°	108°	117°	126°	135°	144°	153°	162°	171°	y	
6.40	6.32	6.12	5.76	5.25	4.60	3.78	2.85	1.81	0.79	0.12	0.01	0.01	0.02	0.02	0.02	0.02	0.02	0.03	0.03	0.03	cd
100%	99%	96%	90%	82%	72%	59%	45%	28%	12%	2%	0%	0%	0%	0%	0%	0%	0%	0%	0%	0%	of 0°val

### Intensities in 270° c-plane

0°	9°	18°	27°	36°	45°	54°	63°	72°	81°	90°	99°	108°	117°	126°	135°	144°	153°	162°	171°	y	
6.40	6.39	6.27	6.03	5.69	5.26	4.77	4.24	3.70	3.16	2.30	0.76	0.03	0.02	0.02	0.02	0.02	0.02	0.03	0.03	0.03	cd
100%	100%	98%	94%	89%	82%	74%	66%	58%	49%	36%	12%	1%	0%	0%	0%	0%	0%	0%	0%	0%	of 0°val

## CUSTOM ORDERING GUIDE ✂

**Single Run (Straight Run):** The below ordering guide will be used for single run LED strip.

- **PFL:** Power Feed Length
- **SL:** Strip Length

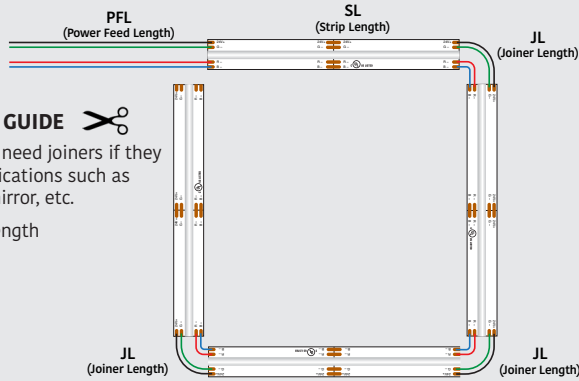


Example: 2 (QTY) x 36" (PFL) - 84" (SL)  x  -

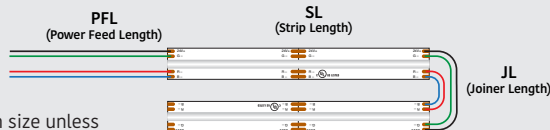
## CUSTOM ORDERING GUIDE ✂

**Joiner:** LED strip lights need joiners if they are used for curve applications such as corner side, behind a mirror, etc.

- **PFL:** Power Feed Length
- **SL:** Strip Length
- **JL:** Joiner Length



Example: 1 (QTY) x 12" (PFL) - 46" (SL) - 1" (JL) - 36" (SL) - 1" (JL) - 46" (SL) - 1" (JL) - 36" (SL)



**Note:** Joiners will be 1-inch size unless customers require a specific size.

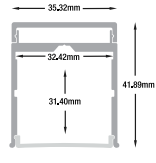
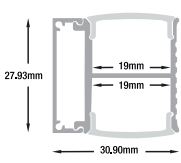
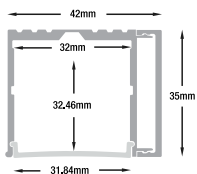
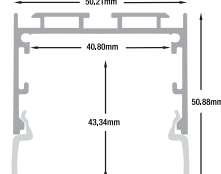
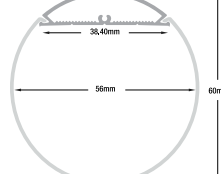
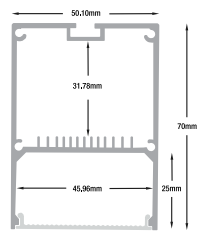
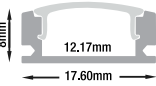
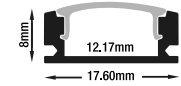
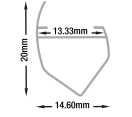
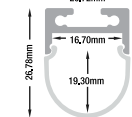
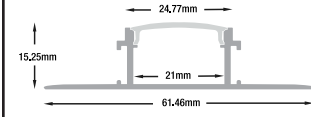
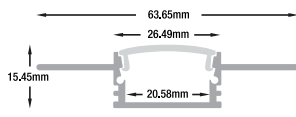
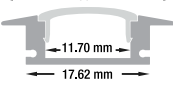
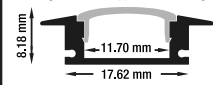
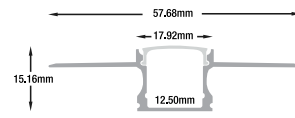
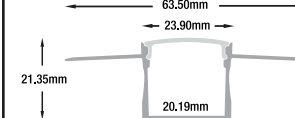
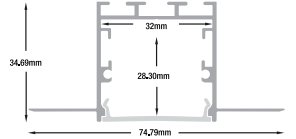

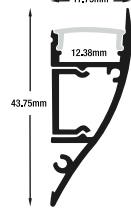
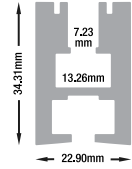
Example: 2 (QTY) x 24" (PFL) - 52" (SL) - 1" (JL) - 52" (SL)

## RECOMMENDED LED ALUMINUM CHANNELS

(Sold Separately)

<b>VBD-CH-S4</b>  15.5mm x 12mm x 17.5mm	<b>VBD-CH-S4B</b>  15.5mm x 12mm x 17.5mm	<b>VBD-CH-S6</b>  10.6mm x 20.15mm x 23.44mm
SKU: 666561423278	SKU: 666561423285	SKU: 666561423315
<b>VBD-CH-S5</b>  8mm x 13mm x 17mm	<b>VBD-CH-S5B</b>  8mm x 13mm x 17mm	<b>VBD-CH-B1</b>  6.14mm x 13.89mm x 18.77mm
SKU: 666561423292	SKU: 666561423308	SKU: 666561423360
<b>VBD-CH-C2</b>  18.5mm x 14mm x 18.5mm	<b>VBD-CH-C2B</b>  18.5mm x 14mm x 18.5mm	<b>VBD-CH-RF4</b>  23.4mm x 18.6mm x 18.6mm
SKU: 666561423506	SKU: 666561423513	SKU: 666561423377
<b>VBD-CH-RF1</b>  12.5mm x 15mm x 17mm	<b>VBD-CH-RF1B</b>  12.5mm x 15mm x 17mm	<b>VBD-CH-C1</b>  25.68mm x 15.07mm x 21.19mm
SKU: 666561423339	SKU: 666561423346	SKU: 666561423490
<b>VBD-CH-C3</b>  30mm x 20mm x 30mm	<b>VBD-CH-C3B</b>  30mm x 20mm x 30mm	<b>VBD-CH-W1</b>  26.16mm x 12mm x 21.43mm
SKU: 666561423520	SKU: 666561423537	SKU: 666561423445
<b>VBD-CH-RF7</b>  32.16mm x 75mm x 90mm	<b>VBD-CH-RF8</b>  32mm x 70.15mm x 75mm	<b>VBD-CH-S2</b>  9.68mm x 56.75mm x 17.29mm
SKU: 666561423407	SKU: 666561423414	SKU: 666561423254
<b>VBD-CH-WC4</b>  45.50mm x 85mm x 37.85mm	<b>VBD-CH-WC5</b>  39mm x 43.03mm x 43.03mm	<b>VBD-CH-ST2</b>  21mm x 95mm x 13mm
SKU: 666561423629	SKU: 666561423636	SKU: 666561423582
<b>VBD-CH-S3</b>  55.38mm x 13.56mm x 7.96mm	<b>VBD-CH-RF6</b>  31.90mm x 46.42mm x 50.20mm	<b>VBD-CH-RF5</b>  32mm x 30.84mm x 34.79mm
SKU: 666561423261	SKU: 666561423391	SKU: 666561423384
<b>VBD-CH-C4</b>  30mm x 30mm x 30mm	<b>VBD-CH-C4B</b>  30mm x 30mm x 30mm	<b>VBD-CH-D10</b>  136mm x 13.66mm x 12mm
SKU: 666561423544	SKU: 666561423551	SKU: 666561420023
<b>VBD-CH-RF2</b>  11mm x 12.15mm x 21.45mm	<b>VBD-CH-RF3</b>  27mm x 20mm x 17mm	
SKU: 666561423353	SKU: 666561423360	
<b>VBD-CH-R2</b>  25.95mm x 22.94mm x 17.46mm	<b>VBD-CH-R2B</b>  25.95mm x 22.94mm x 17.46mm	
SKU: 666561423742	SKU: 666561428280	

For more information about our products and services, please visit our website: [www.veroboard.com](http://www.veroboard.com)

<b>VBD-CH-WC1</b>  SKU: 666561423599	<b>VBD-CH-WC2</b>  SKU: 666561423605	<b>VBD-CH-WC3</b>  SKU: 666561423612	<b>VBD-CH-S1</b>  SKU: 666561423247	<b>VBD-CH-R3</b>  SKU: 666561423759	<b>VBD-CH-RF10</b>  SKU: 666561423438	
<b>VBD-CH-S55</b>  SKU: 666561429966	<b>VBD-CH-S55B</b>  SKU: 666561429973	<b>VBD-CH-C5</b>  SKU: 666561423568	<b>VBD-CH-R1</b>  SKU: 666561423735	<b>VBD-CH-D1</b>  SKU: 666561423643	<b>VBD-CH-D5</b>  SKU: 666561423681	
<b>VBD-CH-RS5</b>  SKU: 666561428631	<b>VBD-CH-RS5B</b>  SKU: 666561428648	<b>VBD-CH-D7</b>  SKU: 666561423704			<b>VBD-CH-D8</b>  SKU: 666561423711	<b>VBD-CH-D9</b>  SKU: 666561423728
<b>VBD-CH-M1</b>  SKU: 666561423773	<b>VBD-CH-M1B</b>  SKU: 666561431013	<b>VBD-CH-E1</b>  SKU: 666561423483		<b>Note:</b> To avoid a dark spot on the sides of these channels (RF10, RF6, RF8, R3, S1, R3) we recommend installing more than one Run LED Strip. For more details please contact us at: <a href="mailto:sales@veroboard.com">sales@veroboard.com</a>		

## RECOMMENDED LED POWER SUPPLIES (Sold Separately)

For more options and varieties, please visit our website: [www.veroboard.com](http://www.veroboard.com)

## Constant Voltage Dimmable LED Drivers (5 in 1), Triac/Phase, 0-10V, 1-10V, Potentiometer, 10V PWM 5 in 1 Dimming



Model No.	Input Voltage	Output Voltage	Wattage	IP Rating	Class	Max. Strip Length	SKU#
VBD-024-030C2DM5i1	100-277V	24V	30W	IP67	Class 2	5.3ft	666561426033
VBD-024-060C2DM5i1	100-277V	24V	60W	IP67	Class 2	10.6ft	666561426040
VBD-024-080C2DM5i1	100-277V	24V	80W	IP67	Class 2	14.2ft	666561426088
VBD-024-096C2DM5i1	100-277V	24V	96W	IP67	Class 2	17ft	666561426057
VBD-024-192C2DM5i1	100-277V	24V	192W (2x96W)	IP67	Class 2	34ft	666561426064
VBD-024-288C2DM5i1	100-277V	24V	288W (3x96W)	IP67	Class 2	51.2ft	666561426071

## Constant Voltage Triac LED Drivers forward Phase, Magnetic Low Voltage & Triac Dimmers



Model No.	Input Voltage	Output Voltage	Wattage	IP Rating	Class	Max. Strip Length	SKU#
VBD-024-024DM	100-130V	24V	24W	IP20	Class 2	4.2ft	666561415839
VBD-024-048DM	100-130V	24V	48W	IP20	Class 2	8.5ft	666561415822
VBD-024-060DM	100-130V	24V	60W	IP20	Class 2	10.6ft	666561415815
VBD-024-096DM	100-130V	24V	96W	IP67	Class 2	17ft	666561415808
VBD-024-150DM	100-130V	24V	150W	IP67	-	26.6ft	666561415792
VBD-024-200DM	100-130V	24V	200W	IP67	-	35.5ft	666561415785
VBD-024-300VTHWJ	100-277V	24V	300W	IP65	-	53.3ft	666561419806

For more information about our products and services, please visit our website: [www.veroboard.com](http://www.veroboard.com)

## DALI DIMMING CONSTANT VOLTAGE



Model No.	Input Voltage	Output Voltage	Wattage	IP Rating	Class	Max. Strip Length	SKU#
VBD-024-030DD	100-265V AC	24V	30W	IP20	Class 2	5.3ft	666561427306
VBD-024-060DD	100-265V AC	24V	60W	IP65	Class 2	10.6ft	666561427320
VBD-024-096DD	100-265V AC	24V	96W	IP65	Class 2	17ft	666561427344
VBD-024-150DD	100-265V AC	24V	150W	IP65	-----	26.6ft	666561427368
VBD-024-200DD	100-265V AC	24V	200W	IP65	-----	35.5ft	666561427375

## PLUG-IN DRIVERS



Model No.	Input Voltage	Output Voltage	Wattage	IP Rating	Class	Max. Strip Length	SKU#
VBDA-024-024P1J	100-240V AC	24V	24W	IP20	Class 2	4.2ft	666561428969
VBDA-024-036P1J	100-240V AC	24V	36W	IP20	Class 2	6.4ft	666561428983
VBDA-024-060P1J	100-240V AC	24V	60W	IP20	Class 2	10.6ft	666561429003

Notes: \_\_\_\_\_  
\_\_\_\_\_  
\_\_\_\_\_  
\_\_\_\_\_  
\_\_\_\_\_  
\_\_\_\_\_  
\_\_\_\_\_  
\_\_\_\_\_  
\_\_\_\_\_  
\_\_\_\_\_  
\_\_\_\_\_

### Disclaimer:

The data and information contained in this specification sheet are subject to change without notice; the ratings supplied are provided based on the product manufacturer. The information contained in this specification sheet should not be considered a warranty, expressed or implied, including, but not limited to, a warranty of merchantability or fitness for a particular purpose. In no event shall Veroboard be liable for any incidental or consequential damages resulting from the use, misuse, or inability to use the product. This exclusion applies regardless of whether such damages are sought based on breach of warranty, breach of contract, negligence, strict liability in tort, or any other legal theory.

For more information about our products and services, please visit our website: [www.veroboard.com](http://www.veroboard.com)