

VEROBOARD®

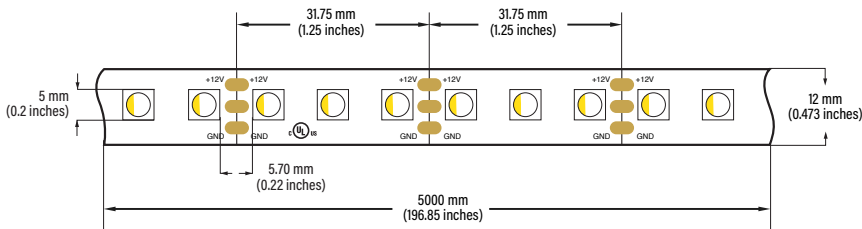
LED Type: VBDFS-5050-RGBWWD-96-12-NS
Colour: RGB, Warm White (2700K)



DESCRIPTION

Flexible 12 mm wide linear Digital LED strip. Available in 5 meter (16.4 feet) rolls that can be cut every 3 LEDs (31.75 mm or 1.25 in). The LED Strip lights are manufactured with high-quality materials and designed for professional lighting. Every strip light begins with a heavy-duty dual-core gold printed circuit board (PC Board), it is then soldered with an array of chips and color options. Moreover, the strip lights come with a strong 3M adhesive backing. They can be cut to any size (marked interval points) and rejoined by soldering.

DIMENSIONS



SPECIFICATIONS

| | |
|------------------------------|---|
| Model: | VBDFS-5050-RGBWWD-96-12-NS |
| Color Temperature: | RGB, Warm White (2700K) |
| LED Type: | 5050 SMD |
| LED Qty: | 96 LEDs per meter |
| Input Voltage (VF): | 12V DC |
| Power: | 30W per meter (9W/ft) |
| Lifespan: | >50,000 hours |
| PCB: | 3oz PCB, Double-side, white colour 12mm width |
| IP Rating: | IP20 (Indoor use only) |
| Rendering Index (Ra): | CRI>95 |
| Beam Angle: | 120° |
| Dimmable: | Yes |
| Cut Size: | Every 3 LED chips (1.25") |
| Dimensions: | 5,000 x 12 x 2.15mm (196.8" x 0.47" x 0.08") |
| Certificates: | UL / RoHs |
| Roll Length: | 5 meter roll (16.4ft) |

Job Name: _____

Distributor: _____

Type: _____

| | Wattage |
|-----------|---------|
| Per Foot | 9W/ft |
| Per Meter | 30W/m |



□ 666561433970



Every 1.25 inches
Cut Points



ORDERING GUIDE

Example part number: **VBDFS - 5050 - RGBWWD - 96 - 12 - NS**

| MODEL | SERIES | COLOUR | LEDS/METER | VOLTAGE | LENGTH |
|-------|--------|--------|------------|---------|--------|
| VBDFS | 5050 | RGBWWD | 96 | 12V | XXXX |

Custom Length
Full Roll (5 Meter)



For more information about our products and services, please visit our website: www.veroboard.com

RECEIVERS (Sold Separately)



Model: SR-SPI-OLED(WiFi)

SKU: 666561432362

Compatible Controller:

- SR-2858Z4 (DMX) **SKU:** 666561433338



Model: WT-SPI

SKU: 666561433369

Compatible Controller:

- R9 **SKU:** 666561433376

To see all available controllers and remote controls, please scan the QR code with your smartphone.



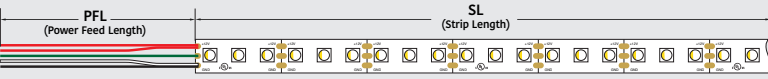
Disclaimer:

The data and information contained in this specification sheet are subject to change without notice; the ratings supplied are provided based on the product manufacturer. The information contained in this specification sheet should not be considered a warranty, expressed or implied, including, but not limited to, a warranty of merchantability or fitness for a particular purpose. In no event shall Veroboard be liable for any incidental or consequential damages resulting from the use, misuse, or inability to use the product. This exclusion applies regardless of whether such damages are sought based on breach of warranty, breach of contract, negligence, strict liability in tort, or any other legal theory.

CUSTOM ORDERING GUIDE ✂

Single Run (Straight Run): The below ordering guide will be used for single run LED strip.

- **PFL:** Power Feed Length
- **SL:** Strip Length

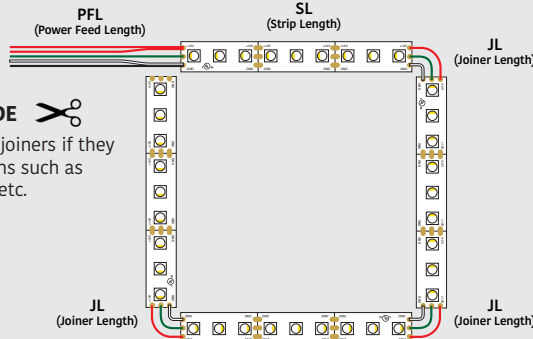


Example: 2 (QTY) x 36" (PFL) - 84" (SL) x -

CUSTOM ORDERING GUIDE ✂

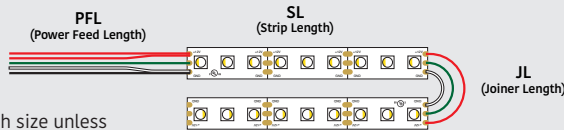
Joiner: LED strip lights need joiners if they are used for curve applications such as corner side, behind a mirror, etc.

- **PFL:** Power Feed Length
- **SL:** Strip Length
- **JL:** Joiner Length



x - - - - - - -

Example: 1 (QTY) x 12" (PFL) - 46" (SL) - 1" (JL) - 36" (SL) - 1" (JL) - 46" (SL) - 1" (JL) - 36" (SL)



Note: Joiners will be 1-inch size unless customers require a specific size.

x - - -

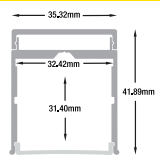
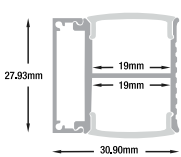
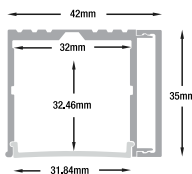
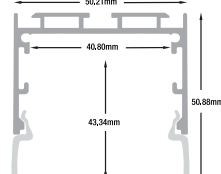
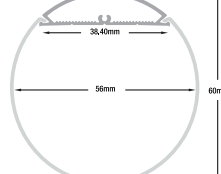
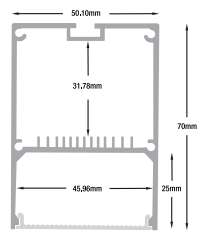
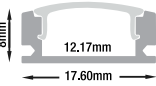
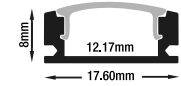
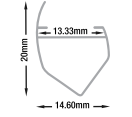
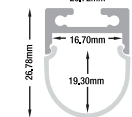
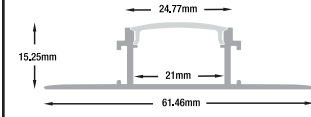
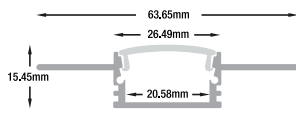

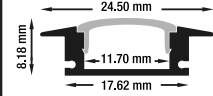
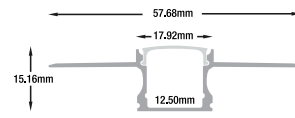
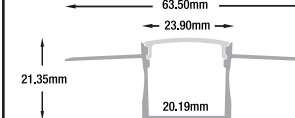
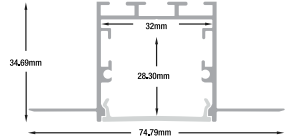
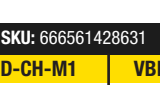
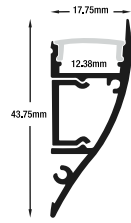
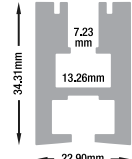
Example: 2 (QTY) x 24" (PFL) - 52" (SL) - 1" (JL) - 52" (SL)

RECOMMENDED LED ALUMINUM CHANNELS

(Sold Separately)

| | | |
|--|--|--|
| VBD-CH-S4 15.5mm x 12mm x 17.5mm | VBD-CH-S4B 15.5mm x 12mm x 17.5mm | VBD-CH-S6 10.6mm x 20.15mm x 23.44mm |
| SKU: 666561423278 | SKU: 666561423285 | SKU: 666561423315 |
| VBD-CH-S5 6mm x 13mm x 17mm | VBD-CH-S5B 6mm x 13mm x 17mm | VBD-CH-B1 6.14mm x 13.89mm x 18.77mm |
| SKU: 666561423292 | SKU: 666561423308 | SKU: 666561423360 |
| VBD-CH-C2 18.5mm x 14mm x 18.5mm | VBD-CH-C2B 18.5mm x 14mm x 18.5mm | VBD-CH-RF4 23.4mm x 18.6mm x 18.6mm |
| SKU: 666561423506 | SKU: 666561423513 | SKU: 666561423377 |
| VBD-CH-RF1 12.5mm x 15mm x 17mm | VBD-CH-RF1B 12.5mm x 15mm x 17mm | VBD-CH-C1 25.68mm x 15.07mm x 21.19mm |
| SKU: 666561423339 | SKU: 666561423346 | SKU: 666561423490 |
| VBD-CH-C3 30mm x 20mm x 30mm | VBD-CH-C3B 30mm x 20mm x 30mm | VBD-CH-W1 26.16mm x 12mm x 21.43mm |
| SKU: 666561423520 | SKU: 666561423537 | SKU: 666561423445 |
| VBD-CH-RF7 32.16mm x 75mm x 90mm | VBD-CH-RF8 32mm x 70.15mm x 75mm | VBD-CH-S2 9.68mm x 56.75mm x 17.29mm |
| SKU: 666561423407 | SKU: 666561423414 | SKU: 666561423254 |
| VBD-CH-WC4 45.50mm x 85mm x 37.85mm | VBD-CH-WC5 39mm x 42.50mm x 49.20mm | VBD-CH-ST2 21mm x 95mm x 13mm |
| SKU: 666561423629 | SKU: 666561423636 | SKU: 666561423582 |
| VBD-CH-S3 55.38mm x 13.56mm x 7.96mm | VBD-CH-RF6 31.90mm x 46.42mm x 50.20mm | VBD-CH-RF5 32mm x 30.84mm x 35.65mm |
| SKU: 666561423261 | SKU: 666561423391 | SKU: 666561423384 |
| VBD-CH-RF2 11mm x 12.15mm x 21.45mm | VBD-CH-RF3 27mm x 20mm x 17mm | VBD-CH-R2 25.95mm x 22.94mm x 17.46mm |
| SKU: 666561423353 | SKU: 666561423360 | SKU: 666561423742 |
| VBD-CH-R2B 25.95mm x 22.94mm x 17.46mm | VBD-CH-D10 136mm x 13.66mm x 12mm | VBD-CH-R2B 25.95mm x 22.94mm x 17.46mm |
| SKU: 666561428280 | SKU: 666561420023 | SKU: 666561428280 |

For more information about our products and services, please visit our website: www.veroboard.com

| | | | | | | |
|---|--|---|---|--|--|--|
| VBD-CH-WC1  SKU: 666561423599 | VBD-CH-WC2  SKU: 666561423605 | VBD-CH-WC3  SKU: 666561423612 | VBD-CH-S1  SKU: 666561423247 | VBD-CH-R3  SKU: 666561423759 | VBD-CH-RF10  SKU: 666561423438 | |
| VBD-CH-S55  SKU: 666561429966 | VBD-CH-S55B  SKU: 666561429973 | VBD-CH-C5  SKU: 666561423568 | VBD-CH-R1  SKU: 666561423735 | VBD-CH-D1  SKU: 666561423643 | VBD-CH-D5  SKU: 666561423681 | |
| VBD-CH-RS5  SKU: 666561428631 | VBD-CH-RS5B  SKU: 666561428648 | VBD-CH-D7  SKU: 666561423704 | | | VBD-CH-D8  SKU: 666561423711 | VBD-CH-D9  SKU: 666561423728 |
| VBD-CH-M1  SKU: 666561423773 | VBD-CH-M1B  SKU: 666561431013 | VBD-CH-E1  SKU: 666561423483 | | Note: To avoid a dark spot on the sides of these channels (RF10, RF6, RF8, R3, S1, R3) we recommend installing more than one Run LED Strip. For more details please contact us at: sales@veroboard.com | | |

RECOMMENDED LED POWER SUPPLIES (Sold Separately)

For more options and varieties, please visit our website: www.veroboard.com

Constant Voltage Dimmable LED Drivers (5 in 1), Triac/Phase, 0-10V, 1-10V, Potentiometer, 10V PWM 5 in 1 Dimming



| Model No. | Input Voltage | Output Voltage | Wattage | IP Rating | Class | Max. Strip Length | SKU# |
|--------------------|---------------|----------------|--------------|-----------|---------|-------------------|--------------|
| VBD-012-030C2DM5i1 | 100-277V | 12V | 30W | IP67 | Class 2 | 2.6ft | 666561425999 |
| VBD-012-060C2DM5i1 | 100-277V | 12V | 60W | IP67 | Class 2 | 5.3ft | 666561426002 |
| VBD-012-100C2DM5i1 | 100-277V | 12V | 100W | IP65 | Type HL | 8.8ft | 666561428426 |
| VBD-012-150C2DM5i1 | 100-277V | 12V | 150W | IP65 | Type HL | 13.3ft | 666561428433 |
| VBD-012-180C2DM5i1 | 100-277V | 12V | 180W (3x60W) | IP67 | Class 2 | 16ft | 666561426019 |
| VBD-012-300C2DM5i1 | 100-277V | 12V | 300W (5x60W) | IP67 | Class 2 | 26.6ft | 666561426026 |

Constant Voltage Triac LED Drivers forward Phase, Magnetic Low Voltage & Triac Dimmers



| Model No. | Input Voltage | Output Voltage | Wattage | IP Rating | Class | Max. Strip Length | SKU# |
|------------------|---------------|----------------|---------|-----------|---------|-------------------|--------------|
| VBD-012-024DM | 100-130V | 12V | 24W | IP20 | Class 2 | 2.1ft | 666561415761 |
| VBD-012-048DM | 100-130V | 12V | 48W | IP20 | Class 2 | 4.2ft | 666561415754 |
| VBD-012-060DM | 100-130V | 12V | 60W | IP20 | Class 2 | 5.3ft | 666561415747 |
| VBD-012-096DM | 100-130V | 12V | 96W | IP67 | - | 8.5ft | 666561415730 |
| VBD-012-150DM | 100-130V | 12V | 150W | IP67 | - | 13.3ft | 666561415723 |
| VBD-012-200DM | 100-130V | 12V | 200W | IP67 | - | 17.7ft | 666561415716 |
| VBD-012-300VTHWJ | 100-277V | 12V | 300W | IP65 | - | 26.6ft | 666561419790 |

For more information about our products and services, please visit our website: www.veroboard.com

