

VEROBOARD®

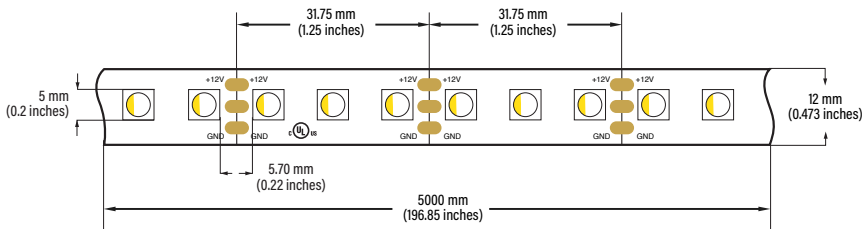
LED Type: VBDFS-5050-RGBWWD-96-12-NS
Colour: RGB, Warm White (2700K)



DESCRIPTION

Flexible 12 mm wide linear Digital LED strip. Available in 5 meter (16.4 feet) rolls that can be cut every 3 LEDs (31.75 mm or 1.25 in). The LED Strip lights are manufactured with high-quality materials and designed for professional lighting. Every strip light begins with a heavy-duty dual-core gold printed circuit board (PC Board), it is then soldered with an array of chips and color options. Moreover, the strip lights come with a strong 3M adhesive backing. They can be cut to any size (marked interval points) and rejoined by soldering.

DIMENSIONS



SPECIFICATIONS

| | |
|------------------------------|---|
| Model: | VBDFS-5050-RGBWWD-96-12-NS |
| Color Temperature: | RGB, Warm White (2700K) |
| LED Type: | 5050 SMD |
| LED Qty: | 96 LEDs per meter |
| Input Voltage (VF): | 12V DC |
| Power: | 30W per meter (9W/ft) |
| Lifespan: | >50,000 hours |
| PCB: | 3oz PCB, Double-side, white colour 12mm width |
| IP Rating: | IP20 (Indoor use only) |
| Rendering Index (Ra): | CRI>95 |
| Beam Angle: | 120° |
| Dimmable: | Yes |
| Cut Size: | Every 3 LED chips (1.25") |
| Dimensions: | 5,000 x 12 x 2.15mm (196.8" x 0.47" x 0.08") |
| Certificates: | UL / RoHs |
| Roll Length: | 5 meter roll (16.4ft) |

Job Name: _____

Distributor: _____

Type: _____

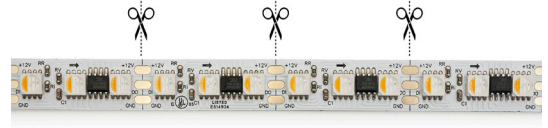
| | Wattage |
|-----------|---------|
| Per Foot | 9W/ft |
| Per Meter | 30W/m |



666561433970



Every 1.25 inches
Cut Points



ORDERING GUIDE

Example part number: **VBDFS - 5050 - RGBWWD - 96 - 12 - NS**

| MODEL | SERIES | COLOUR | LEDS/METER | VOLTAGE | LENGTH |
|-------|--------|--------|------------|---------|--------|
| VBDFS | 5050 | RGBWWD | 96 | 12V | XXXX |

Custom Length
Full Roll (5 Meter)

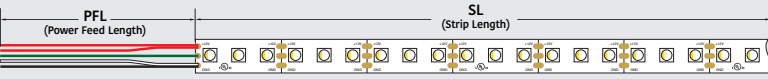


For more information about our products and services, please visit our website: www.veroboard.com

CUSTOM ORDERING GUIDE ✂

Single Run (Straight Run): The below ordering guide will be used for single run LED strip.

- **PFL:** Power Feed Length
- **SL:** Strip Length

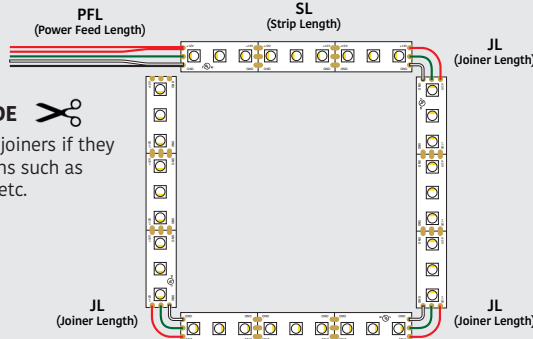


Example: 2 (QTY) x 36" (PFL) - 84" (SL) QTY x PFL - SL

CUSTOM ORDERING GUIDE ✂

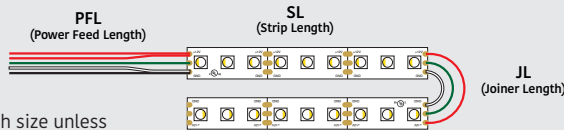
Joiner: LED strip lights need joiners if they are used for curve applications such as corner side, behind a mirror, etc.

- **PFL:** Power Feed Length
- **SL:** Strip Length
- **JL:** Joiner Length



QTY x PFL - SL - JL - SL - JL - SL - JL - SL

Example: 1 (QTY) x 12" (PFL) - 46" (SL) - 1" (JL) - 36" (SL) - 1" (JL) - 46" (SL) - 1" (JL) - 36" (SL)



Note: Joiners will be 1-inch size unless customers require a specific size.

QTY x PFL - SL - JL - SL

Example: 2 (QTY) x 24" (PFL) - 52" (SL) - 1" (JL) - 52" (SL)

RECOMMENDED LED ALUMINUM CHANNELS

(Sold Separately)

| | | |
|--|--|--|
| VBD-CH-S4 15.5mm x 12mm x 17.5mm | VBD-CH-S4B 15.5mm x 12mm x 17.5mm | VBD-CH-S6 10.60mm x 20.15mm x 23.44mm |
| SKU: 666561423278 | SKU: 666561423285 | SKU: 666561423315 |
| VBD-CH-S5 6mm x 13mm x 17mm | VBD-CH-S5B 6mm x 13mm x 17mm | VBD-CH-B1 6.14mm x 13.89mm x 18.77mm |
| SKU: 666561423292 | SKU: 666561423308 | SKU: 666561423360 |
| VBD-CH-C2 18.5mm x 14mm x 18.5mm | VBD-CH-C2B 18.5mm x 14mm x 18.5mm | VBD-CH-RF4 23.4mm x 18.6mm x 18.6mm |
| SKU: 666561423506 | SKU: 666561423513 | SKU: 666561423377 |
| VBD-CH-RF1 12.5mm x 15mm x 17mm | VBD-CH-RF1B 12.5mm x 15mm x 17mm | VBD-CH-C1 25.68mm x 15.07mm x 21.19mm |
| SKU: 666561423339 | SKU: 666561423346 | SKU: 666561423490 |
| VBD-CH-C3 30mm x 20mm x 30mm | VBD-CH-C3B 30mm x 20mm x 30mm | VBD-CH-W1 26.16mm x 12mm x 21.43mm |
| SKU: 666561423520 | SKU: 666561423537 | SKU: 666561423445 |
| VBD-CH-RF7 32.16mm x 75mm x 90mm | VBD-CH-RF8 32mm x 70.15mm x 75mm | VBD-CH-S2 9.68mm x 56.75mm x 17.29mm x 13.22mm |
| SKU: 666561423407 | SKU: 666561423414 | SKU: 666561423254 |
| VBD-CH-WC4 45.50mm x 85mm x 37.85mm | VBD-CH-WC5 39mm x 42.93mm x 49.20mm | VBD-CH-ST2 21mm x 95mm x 13mm |
| SKU: 666561423629 | SKU: 666561423636 | SKU: 666561423582 |
| VBD-CH-S3 55.38mm x 13.56mm x 7.96mm | VBD-CH-RF6 31.90mm x 46.42mm x 50.20mm | VBD-CH-RF5 32mm x 30.84mm x 35.65mm |
| SKU: 666561423261 | SKU: 666561423391 | SKU: 666561423384 |
| VBD-CH-C4 30mm x 20mm x 30mm | VBD-CH-C4B 30mm x 20mm x 30mm | VBD-CH-RF2 11mm x 12.15mm x 21.45mm |
| SKU: 666561423544 | SKU: 666561423551 | SKU: 666561423353 |
| VBD-CH-RF3 27mm x 20mm x 17mm | VBD-CH-R2 25.95mm x 22.94mm x 17.46mm | VBD-CH-R2B 25.95mm x 22.94mm x 17.46mm |
| SKU: 666561423360 | SKU: 666561423742 | SKU: 666561428280 |
| VBD-CH-D10 136mm x 13.66mm x 12mm | | SKU: 666561420023 |

For more information about our products and services, please visit our website: www.veroboard.com

| | | | | | |
|--|---|--|---|---|---|
| VBD-CH-WC1 SKU: 666561423599 | VBD-CH-WC2 SKU: 666561423605 | VBD-CH-WC3 SKU: 666561423612 | VBD-CH-S1 SKU: 666561423247 | VBD-CH-R3 SKU: 666561423759 | VBD-CH-RF10 SKU: 666561423438 |
| VBD-CH-S55 SKU: 666561429966 | VBD-CH-S55B SKU: 666561429973 | VBD-CH-C5 SKU: 666561423568 | VBD-CH-R1 SKU: 666561423735 | VBD-CH-D1 SKU: 666561423643 | VBD-CH-D5 SKU: 666561423681 |
| VBD-CH-RS5 SKU: 666561428631 | VBD-CH-RS5B SKU: 666561428648 | VBD-CH-D7 SKU: 666561423704 | VBD-CH-D8 SKU: 666561423711 | VBD-CH-D9 SKU: 666561423728 | |
| VBD-CH-M1 SKU: 666561423773 | VBD-CH-M1B SKU: 666561431013 | VBD-CH-E1 SKU: 666561423483 | | | |

Note: To avoid a dark spot on the sides of these channels (RF10, RF6, RF8, R3, S1, R3) we recommend installing more than one Run LED Strip. For more details please contact us at: sales@veroboard.com

RECOMMENDED LED POWER SUPPLIES (Sold Separately)

For more options and varieties, please visit our website: www.veroboard.com

Constant Voltage Dimmable LED Drivers (5 in 1), Triac/Phase, 0-10V, 1-10V, Potentiometer, 10V PWM 5 in 1 Dimming



| Model No. | Input Voltage | Output Voltage | Wattage | IP Rating | Class | Max. Strip Length | SKU# |
|--------------------|---------------|----------------|--------------|-----------|---------|-------------------|--------------|
| VBD-012-030C2DM5i1 | 100-277V | 12V | 30W | IP67 | Class 2 | 2.6ft | 666561425999 |
| VBD-012-060C2DM5i1 | 100-277V | 12V | 60W | IP67 | Class 2 | 5.3ft | 666561426002 |
| VBD-012-100C2DM5i1 | 100-277V | 12V | 100W | IP65 | Type HL | 8.8ft | 666561428426 |
| VBD-012-150C2DM5i1 | 100-277V | 12V | 150W | IP65 | Type HL | 13.3ft | 666561428433 |
| VBD-012-180C2DM5i1 | 100-277V | 12V | 180W (3x60W) | IP67 | Class 2 | 16ft | 666561426019 |
| VBD-012-300C2DM5i1 | 100-277V | 12V | 300W (5x60W) | IP67 | Class 2 | 26.6ft | 666561426026 |

Constant Voltage Triac LED Drivers forward Phase, Magnetic Low Voltage & Triac Dimmers



| Model No. | Input Voltage | Output Voltage | Wattage | IP Rating | Class | Max. Strip Length | SKU# |
|------------------|---------------|----------------|---------|-----------|---------|-------------------|--------------|
| VBD-012-024DM | 100-130V | 12V | 24W | IP20 | Class 2 | 2.1ft | 666561415761 |
| VBD-012-048DM | 100-130V | 12V | 48W | IP20 | Class 2 | 4.2ft | 666561415754 |
| VBD-012-060DM | 100-130V | 12V | 60W | IP20 | Class 2 | 5.3ft | 666561415747 |
| VBD-012-096DM | 100-130V | 12V | 96W | IP67 | - | 8.5ft | 666561415730 |
| VBD-012-150DM | 100-130V | 12V | 150W | IP67 | - | 13.3ft | 666561415723 |
| VBD-012-200DM | 100-130V | 12V | 200W | IP67 | - | 17.7ft | 666561415716 |
| VBD-012-300VTHWJ | 100-277V | 12V | 300W | IP65 | - | 26.6ft | 666561419790 |

For more information about our products and services, please visit our website: www.veroboard.com

