

VEROBOARD®

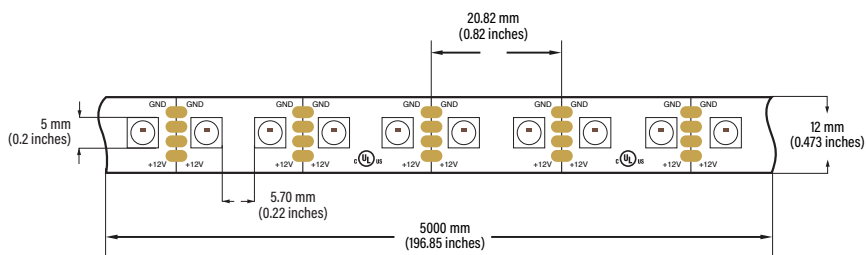
LED Type: VBDFS-5050-RGBD-96-12-NS
Colour: RGB(WS2815)



DESCRIPTION

Flexible 12 mm wide linear Digital LED strip. Available in 5 meter (16.4 feet) rolls that can be cut every 2 LEDs (20 mm or 0.8 in). The LED Strip lights are manufactured with highquality materials and designed for professional lighting. Every strip light begins with a heavy-duty dual-core gold printed circuit board (PC Board), it is then soldered with an array of chips and color options. Moreover, the strip lights come with a strong 3M adhesive backing. They can be cut to any size (marked interval points) and rejoined by soldering.

DIMENSIONS



SPECIFICATIONS

Model:	VBDFS-5050-RGBD-96-12-NS
Color Temperature:	RGB(WS2815)
LED Type:	5050 SMD
LED Qty:	96 LEDs per meter
Input Voltage (VF):	12V DC
Power:	15W per meter (4.5W/ft)
Lifespan:	>50,000 hours
PCB:	3oz PCB, Double-side, white colour 12mm width
IP Rating:	IP20 (Indoor use only)
Rendering Index (Ra):	CRI>95
Beam Angle:	120°
Dimmable:	Yes
Cut Size:	Every 2 LED chips (0.8")
Dimensions:	5,000 x 12 x 2.15mm (196.8" x 0.47" x 0.08")
Certificates:	UL / RoHs
Roll Length:	5 meter roll (16.4ft)

Job Name: _____

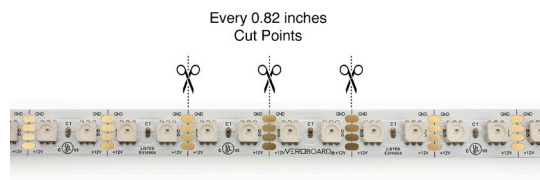
Distributor: _____

Type: _____

	Wattage
Per Foot	4.5W/ft
Per Meter	15W/m



666561433406



GOLD PLATED PCB



ORDERING GUIDE

Example part number: **VBDFS - 5050 - RGBD - 96 - 12 - NS**

MODEL	SERIES	COLOUR	LEDS/METER	VOLTAGE	LENGTH
VBDFS	5050	RGBD	96	12V	XXXX

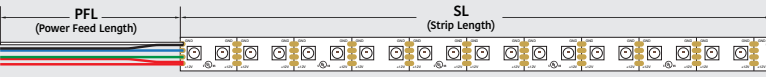
Custom Length
NS (Full Roll 5 Meter)

For more information about our products and services, please visit our website: www.veroboard.com

CUSTOM ORDERING GUIDE ✂

Single Run (Straight Run): The below ordering guide will be used for single run LED strip.

- **PFL:** Power Feed Length
- **SL:** Strip Length

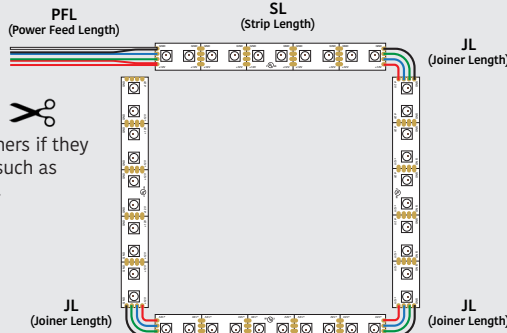


Example: 2 (QTY) x 36" (PFL) - 84" (SL) x -

CUSTOM ORDERING GUIDE ✂

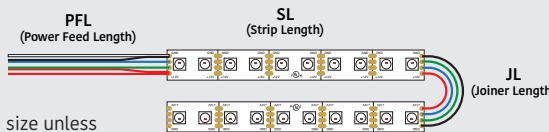
Joiner: LED strip lights need joiners if they are used for curve applications such as corner side, behind a mirror, etc.

- **PFL:** Power Feed Length
- **SL:** Strip Length
- **JL:** Joiner Length



x - - - - - - -

Example: 1 (QTY) x 12" (PFL) - 46" (SL) - 1" (JL) - 36" (SL) - 1" (JL) - 46" (SL) - 1" (JL) - 36" (SL)



Note: Joiners will be 1-inch size unless customers require a specific size.

x - - -

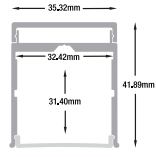
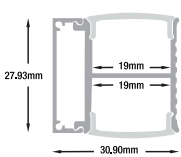
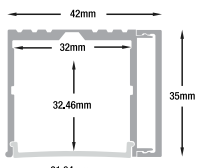
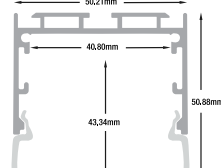
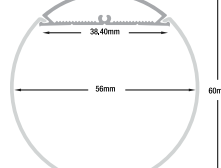
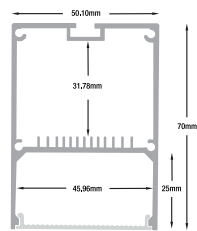
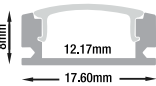
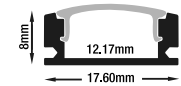
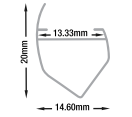
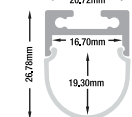
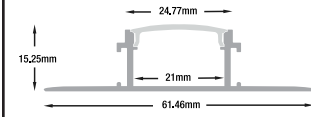
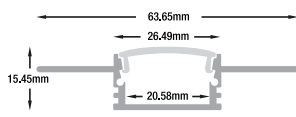
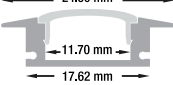
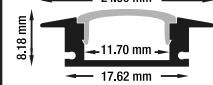
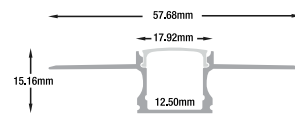
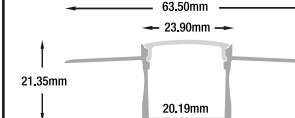
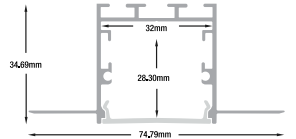

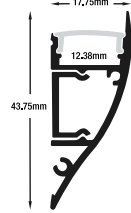
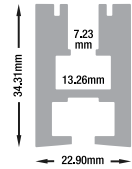
Example: 2 (QTY) x 24" (PFL) - 52" (SL) - 1" (JL) - 52" (SL)

RECOMMENDED LED ALUMINUM CHANNELS

(Sold Separately)

VBD-CH-S4 SKU: 666561423278	VBD-CH-S4B SKU: 666561423285	VBD-CH-S6 SKU: 666561423315			
VBD-CH-S5 SKU: 666561423292	VBD-CH-S5B SKU: 666561423308	VBD-CH-B1 SKU: 666561423360			
VBD-CH-C2 SKU: 666561423506	VBD-CH-C2B SKU: 666561423513	VBD-CH-RF4 SKU: 666561423377			
VBD-CH-RF1 SKU: 666561423339	VBD-CH-RF1B SKU: 666561423346	VBD-CH-C1 SKU: 666561423490			
VBD-CH-C3 SKU: 666561423520	VBD-CH-C3B SKU: 666561423537	VBD-CH-W1 SKU: 666561423445			
VBD-CH-RF7 SKU: 666561423407	VBD-CH-RF8 SKU: 666561423414	VBD-CH-S2 SKU: 666561423254	VBD-CH-C4 SKU: 666561423544	VBD-CH-C4B SKU: 666561423551	VBD-CH-D10 SKU: 666561420023
VBD-CH-WC4 SKU: 666561423629	VBD-CH-WC5 SKU: 666561423636	VBD-CH-ST2 SKU: 666561423582	VBD-CH-RF2 SKU: 666561423353	VBD-CH-RF3 SKU: 666561423360	
VBD-CH-S3 SKU: 666561423261	VBD-CH-RF6 SKU: 666561423391	VBD-CH-RF5 SKU: 666561423384	VBD-CH-R2 SKU: 666561423742	VBD-CH-R2B SKU: 666561428280	

For more information about our products and services, please visit our website: www.veroboard.com

VBD-CH-WC1  SKU: 666561423599	VBD-CH-WC2  SKU: 666561423605	VBD-CH-WC3  SKU: 666561423612	VBD-CH-S1  SKU: 666561423247	VBD-CH-R3  SKU: 666561423759	VBD-CH-RF10  SKU: 666561423438		
VBD-CH-S55  SKU: 666561429966	VBD-CH-S55B  SKU: 666561429973	VBD-CH-C5  SKU: 666561423568	VBD-CH-R1  SKU: 666561423735	VBD-CH-D1  SKU: 666561423643	VBD-CH-D5  SKU: 666561423681		
VBD-CH-RS5  SKU: 666561428631	VBD-CH-RS5B  SKU: 666561428648	VBD-CH-D7  SKU: 666561423704	VBD-CH-D8  SKU: 666561423711	VBD-CH-D9  SKU: 666561423728	VBD-CH-M1  SKU: 666561423773	VBD-CH-M1B  SKU: 666561431013	VBD-CH-E1  SKU: 666561423483

Note: To avoid a dark spot on the sides of these channels (RF10, RF6, RF8, R3, S1, R3) we recommend installing more than one Run LED Strip. For more details please contact us at: sales@veroboard.com

RECOMMENDED LED POWER SUPPLIES (Sold Separately)

For more options and varieties, please visit our website: www.veroboard.com

Constant Voltage Dimmable LED Drivers (5 in 1), Triac/Phase, 0-10V, 1-10V, Potentiometer, 10V PWM 5 in 1 Dimming



Model No.	Input Voltage	Output Voltage	Wattage	IP Rating	Class	Max. Strip Length	SKU#
VBD-012-030C2DM5i1	100-277V	12V	30W	IP67	Class 2	5.3ft	666561425999
VBD-012-060C2DM5i1	100-277V	12V	60W	IP67	Class 2	10.6ft	666561426002
VBD-012-100C2DM5i1	100-277V	12V	100W	IP65	Type HL	17.7ft	666561428426
VBD-012-150C2DM5i1	100-277V	12V	150W	IP65	Type HL	26.6ft	666561428433
VBD-012-180C2DM5i1	100-277V	12V	180W (3x60W)	IP67	Class 2	32ft	666561426019
VBD-012-300C2DM5i1	100-277V	12V	300W (5x60W)	IP67	Class 2	53.3ft	666561426026

Constant Voltage Triac LED Drivers forward Phase, Magnetic Low Voltage & Triac Dimmers



Model No.	Input Voltage	Output Voltage	Wattage	IP Rating	Class	Max. Strip Length	SKU#
VBD-012-024DM	100-130V	12V	24W	IP20	Class 2	4.2ft	666561415761
VBD-012-048DM	100-130V	12V	48W	IP20	Class 2	8.6ft	666561415754
VBD-012-060DM	100-130V	12V	60W	IP20	Class 2	10.6ft	666561415747
VBD-012-096DM	100-130V	12V	96W	IP67	-	17ft	666561415730
VBD-012-150DM	100-130V	12V	150W	IP67	-	26.6ft	666561415723
VBD-012-200DM	100-130V	12V	200W	IP67	-	35.5ft	666561415716
VBD-012-300VTHWJ	100-277V	12V	300W	IP65	-	53.3ft	666561419790

For more information about our products and services, please visit our website: www.veroboard.com

