

# VEROBOARD®

LED Type: VBDFS-5050-RGB-30-12-NS  
 Colour: RGB

Job Name: \_\_\_\_\_

Distributor: \_\_\_\_\_

Type: \_\_\_\_\_



## DESCRIPTION

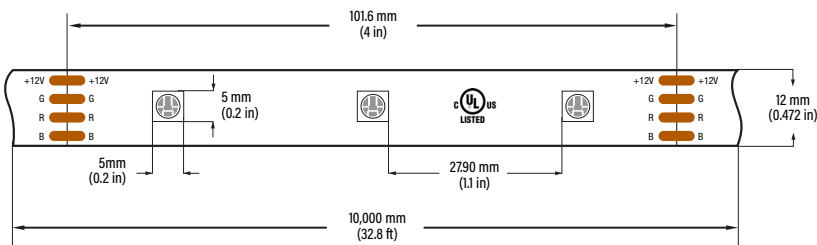
Flexible 12 mm wide linear LED strip. Available in 10 meter (32.8 feet) rolls that can be cut every 3 LEDs (100 mm or 4 in). The LED Strip lights are manufactured with high-quality materials and designed for professional lighting. Every strip light begins with a heavy-duty dual-core copper printed circuit board (PC Board), it is then soldered with an array of chips and color options. Moreover, the strip lights come with a strong 3M adhesive backing. They can be cut to any size (marked interval points) and rejoined by soldering.

	Wattage
Per Foot	2W/ft
Per Meter	7W/m



666561423919

## DIMENSIONS



## SPECIFICATIONS

Model:	VBDFS-5050-RGB-30-12-NS
Color Temperature:	RGB
LED Type:	5050 SMD
LED Qty:	30 LEDs per meter
Input Voltage (VF):	12V DC
Power:	7W per meter (2W/ft)
Brightness:	2600-3000 MCD
Lifespan:	>50,000 hours
PCB:	4oz PCB, Double-side, white colour 12mm width
IP Rating:	IP20 (Indoor use only)
Rendering Index (Ra):	CRI>95
Beam Angle:	120°
Dimmable:	Yes
Cut Size:	Every 3 LED chips (3.9")
Dimensions:	10,000 x 12 x 2.15mm (393.6" x 0.47" x 0.08")
Certificates:	UL / RoHs
Roll Length:	10 meter roll (32.8ft)



## ORDERING GUIDE

Example part number: **VBDFS - 5050 - RGB - 30 - 12 - NS**

MODEL	SERIES	COLOUR	LEDS/METER	VOLTAGE	LENGTH
VBDFS	5050	RGB	30	12V	NS - XXXX

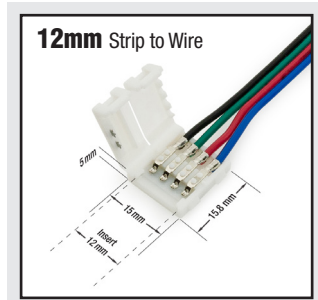
Custom Length  
 Full Roll (10 Meter)



For more information about our products and services, please visit our website: [www.veroboard.com](http://www.veroboard.com)

## CONNECTORS (Sold Separately)

**Note:** Connectors fit in some aluminum channels only.



**MODEL:**

**VBD-RGBCON-12MM-1S1W**

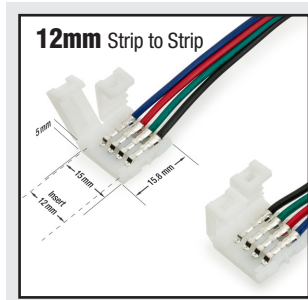
**Material:** Plastic

**Strip Light Width:** 12mm

**Package Content:** LED Strip to Wire Connector (Pack of 1)

**Dimensions:** 15.8 x 15 x 5mm  
(0.62" x 0.59" x 0.19")

666561406967



**MODEL:**

**VBD-RGBCON-12MM-CRNR**

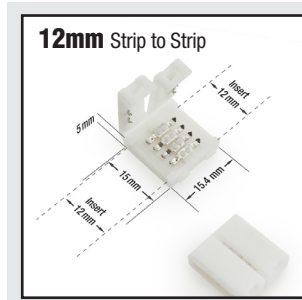
**Material:** Plastic

**Strip Light Width:** 12mm

**Package Content:** LED Strip to Strip Connector (Pack of 1)

**Dimensions:** 15.8 x 15 x 5mm  
(0.62" x 0.59" x 0.19")

666561406776



**MODEL:**

**VBD-RGBCON-12MM-2S**

**Material:** Plastic

**Strip Light Width:** 12mm

**Package Content:** LED Strip to Strip Connector (Pack of 1)

**Dimensions:** 15.4 x 15 x 5mm  
(0.61" x 0.59" x 0.19")

666561406912

## CONTROLLERS (Sold Separately)

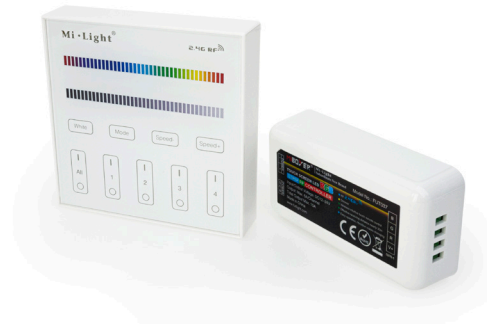


**Model:** SR-2819S (R3)

**SKU:** 666561430863

**Compatible Receivers:**

- |                           |          |                          |
|---------------------------|----------|--------------------------|
| • SR-1009EA-5C (R-25.5A)  | 300-900W | <b>SKU:</b> 666561430818 |
| • SR-1009TYWi-5C (R-4A)   | 300-900W | <b>SKU:</b> 666561430788 |
| • SR-1009EATYWi-5C (R-8A) | 96-192W  | <b>SKU:</b> 666561430795 |



**Model:** VBD-MI-4Z-B3

**SKU:** 666561412913

**Compatible Receivers:**

- |                 |                          |
|-----------------|--------------------------|
| • VBD-MI-FUT037 | <b>SKU:</b> 666561412869 |
| • VBD-MI-FUT038 | <b>SKU:</b> 666561425180 |

**Disclaimer:**

The data and information contained in this specification sheet are subject to change without notice; the ratings supplied are provided based on the product manufacturer. The information contained in this specification sheet should not be considered a warranty, expressed or implied, including, but not limited to, a warranty of merchantability or fitness for a particular purpose. In no event shall Veroboard be liable for any incidental or consequential damages resulting from the use, misuse, or inability to use the product. This exclusion applies regardless of whether such damages are sought based on breach of warranty, breach of contract, negligence, strict liability in tort, or any other legal theory.

To see all available controllers and remote controls, please scan the QR code with your smartphone.



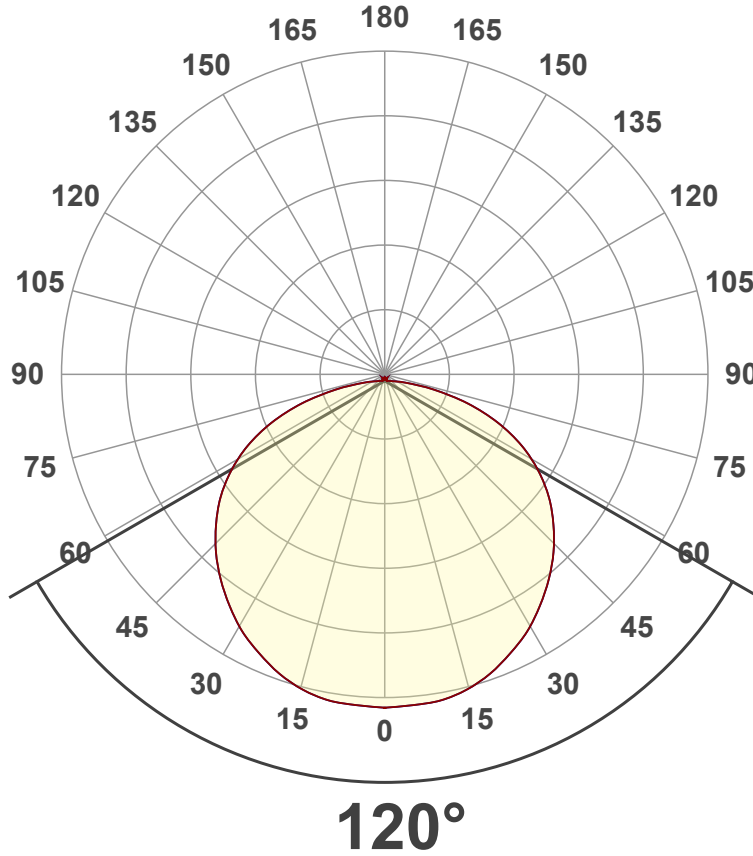
# Light Measurement Report

Print date: 2023-04-26

Measurement date and time: 2023-04-26 2:05:20 PM – Measurement no. VFR-230426-0172-MS

## Luminous Intensity diagram

Unit: 0-100% of peak intensity



## Main Values

Lumen Up% / Down%	1.46% / 98.54%
Peak Intensity	6.15 cd
Beam Angle (50%)	120°
Beam Angle (90%)	126.5°
Beam Angle (10%)	126.5°

## Cut-off Angle

Average 2,5%	177.6°
--------------	--------

## Field Angle

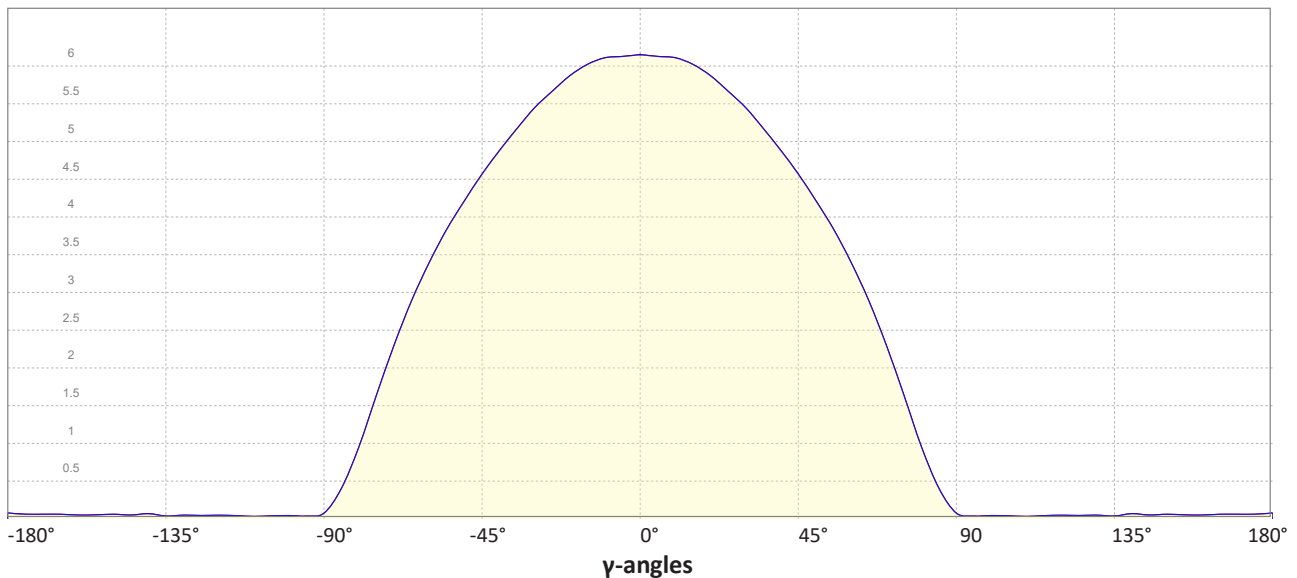
Average 10%	166.2°
-------------	--------

## Intensity Ratio

In 120° cone	73.7%
In 90° cone	48.3%

**C000-C180**  
**C090-C270**

## Linear distribution diagram - Intensity (candela) vs $\gamma$ -angle



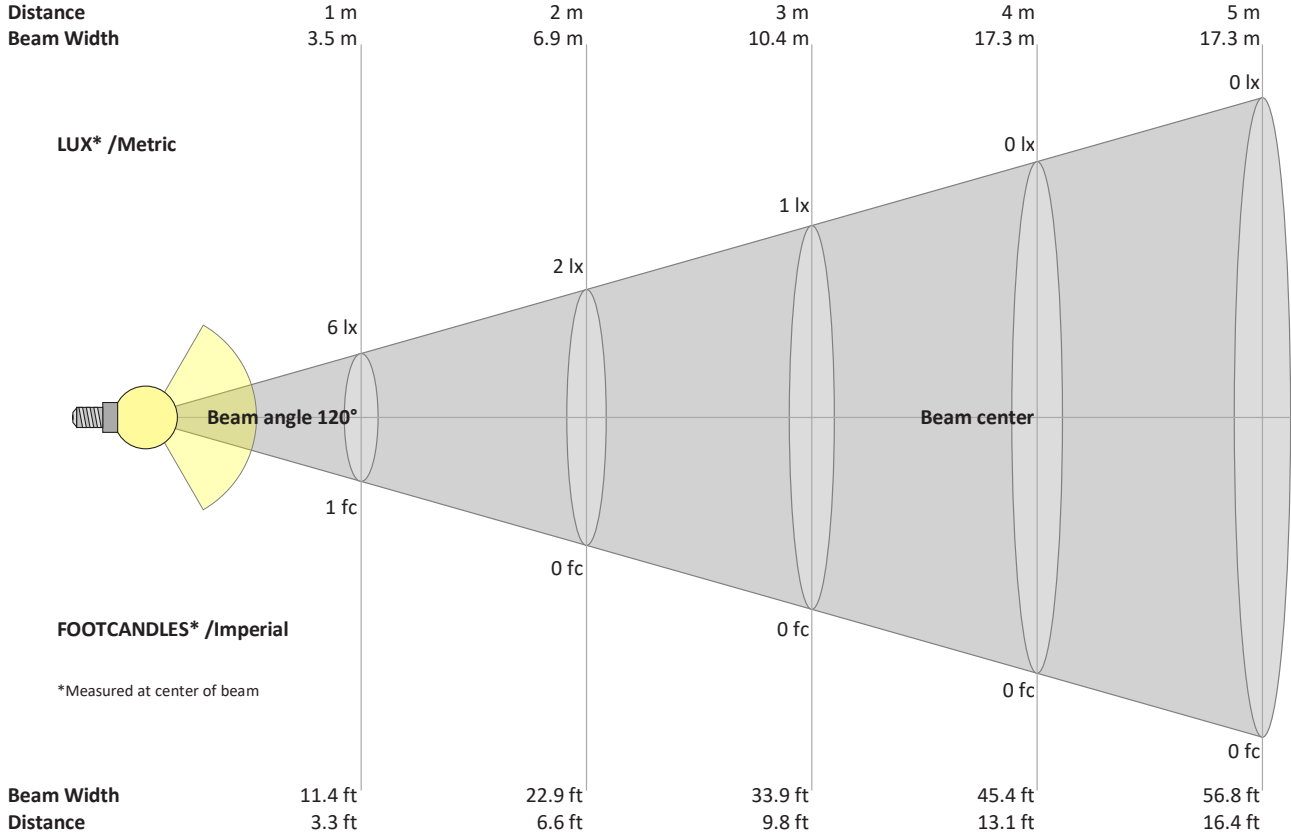


# Light Measurement Report

Print date: 2023-04-26

Measurement date and time: 2023-04-26 2:05:20 PM – Measurement no. VFR-230426-0172-MS

## Beam Details



### Beam intensities from 1 – 20 m

1	2	3	4	5	6	7	8	9	10	11	12	13	14	15	16	17	18	19	20	m	
3.3	6.6	9.8	13.1	16.4	19.7	23	26.2	29.5	32.8	36.1	39.4	42.7	45.9	49.2	52.5	55.8	59.1	62.3	65.6	ft	
6	2	1	0	0	0	0	0	0	0	0	0	0	0	0	0	0	0	0	0	0	lux
0.6	0.1	0.1	0	0	0	0	0	0	0	0	0	0	0	0	0	0	0	0	0	0	fc

### Intensities in 0° c-plane

0°	5°	10°	15°	20°	25°	30°	35°	40°	45°	50°	55°	60°	65°	70°	75°	80°	85°	90°	95°	y	
6.15	6.13	6.11	6.02	5.87	5.67	5.45	5.17	4.88	4.57	4.22	3.84	3.40	2.90	2.31	1.65	0.96	0.41	0.08	0.04	0.04	cd
100%	100%	99%	98%	95%	92%	89%	84%	79%	74%	69%	62%	55%	47%	38%	27%	16%	7%	1%	1%	1%	of 0°val

### Intensities in 90° c-plane

0°	5°	10°	15°	20°	25°	30°	35°	40°	45°	50°	55°	60°	65°	70°	75°	80°	85°	90°	95°	y	
6.15	6.13	6.11	6.02	5.87	5.67	5.45	5.17	4.88	4.57	4.22	3.84	3.40	2.90	2.31	1.65	0.96	0.41	0.08	0.04	0.04	cd
100%	100%	99%	98%	95%	92%	89%	84%	79%	74%	69%	62%	55%	47%	38%	27%	16%	7%	1%	1%	1%	of 0°val

### Intensities in 180° c-plane

0°	5°	10°	15°	20°	25°	30°	35°	40°	45°	50°	55°	60°	65°	70°	75°	80°	85°	90°	95°	y	
6.15	6.13	6.11	6.02	5.87	5.67	5.45	5.17	4.88	4.57	4.22	3.84	3.40	2.90	2.31	1.65	0.96	0.41	0.08	0.04	0.04	cd
100%	100%	99%	98%	95%	92%	89%	84%	79%	74%	69%	62%	55%	47%	38%	27%	16%	7%	1%	1%	1%	of 0°val

### Intensities in 270° c-plane

0°	5°	10°	15°	20°	25°	30°	35°	40°	45°	50°	55°	60°	65°	70°	75°	80°	85°	90°	95°	y	
6.15	6.13	6.11	6.02	5.87	5.67	5.45	5.17	4.88	4.57	4.22	3.84	3.40	2.90	2.31	1.65	0.96	0.41	0.08	0.04	0.04	cd
100%	100%	99%	98%	95%	92%	89%	84%	79%	74%	69%	62%	55%	47%	38%	27%	16%	7%	1%	1%	1%	of 0°val

## CUSTOM ORDERING GUIDE

**Single Run (Straight Run):** The below ordering guide will be used for single run LED strip.

- **PFL:** Power Feed Length
- **SL:** Strip Length

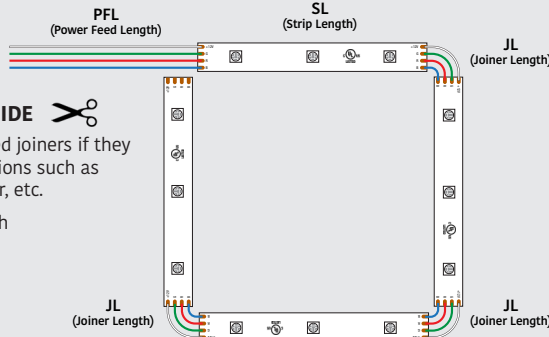


Example: 2 (QTY) x 36" (PFL) - 84" (SL)  x  -

## CUSTOM ORDERING GUIDE

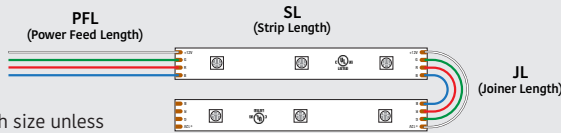
**Joiner:** LED strip lights need joiners if they are used for curve applications such as corner side, behind a mirror, etc.

- **PFL:** Power Feed Length
- **SL:** Strip Length
- **JL:** Joiner Length



x  -  -  -  -  -  -  -

Example: 1 (QTY) x 12" (PFL) - 46" (SL) - 1" (JL) - 36" (SL) - 1" (JL) - 46" (SL) - 1" (JL) - 36" (SL)



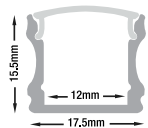
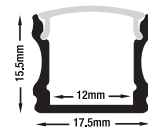
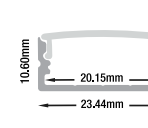
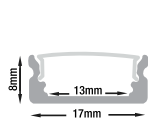
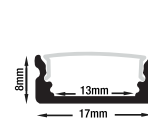
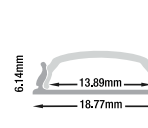
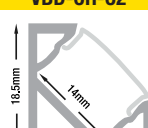
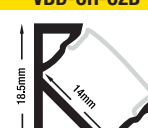
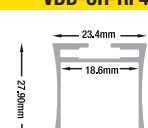

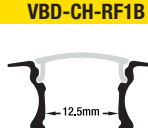
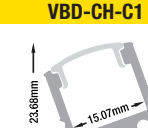

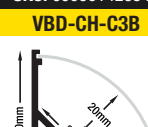
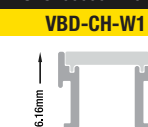
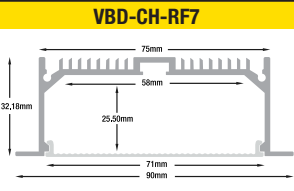
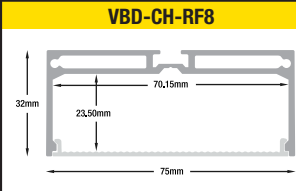
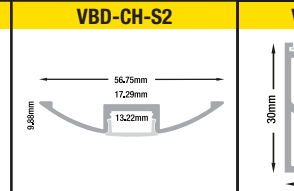
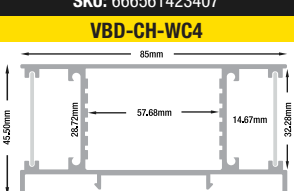
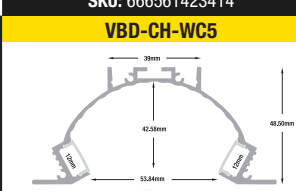
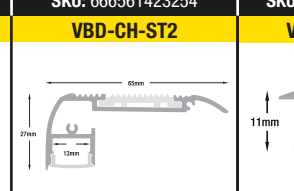
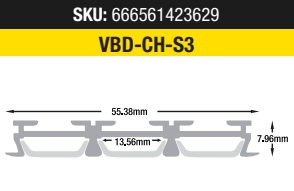
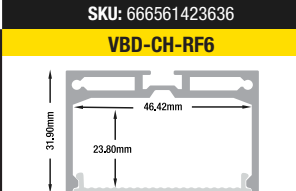
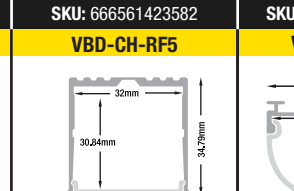
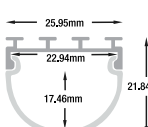
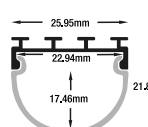
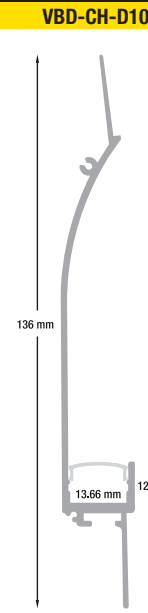
**Note:** Joiners will be 1-inch size unless customers require a specific size.

x  -  -  -

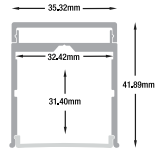
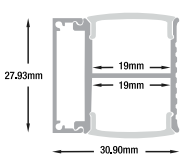
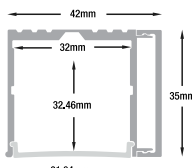
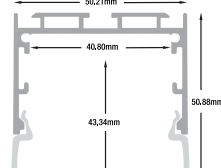
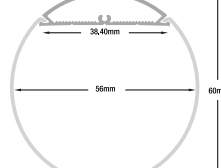
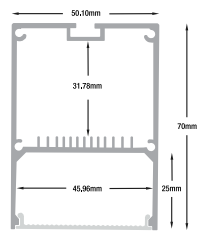
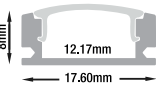
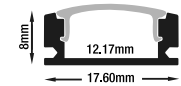
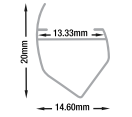
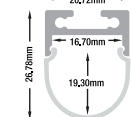
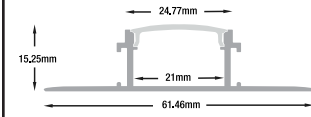
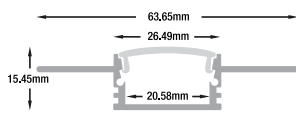
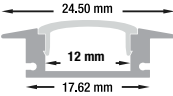
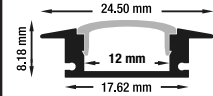
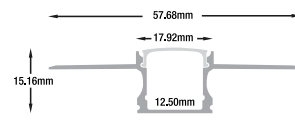
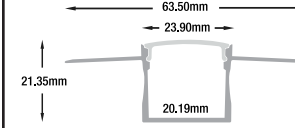
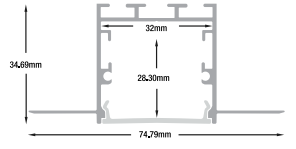

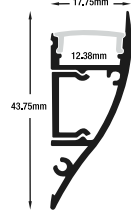
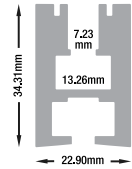
Example: 2 (QTY) x 24" (PFL) - 52" (SL) - 1" (JL) - 52" (SL)

## RECOMMENDED LED ALUMINUM CHANNELS

(Sold Separately)

<b>VBD-CH-S4</b>  15.5mm x 17.5mm x 12mm	<b>VBD-CH-S4B</b>  15.5mm x 17.5mm x 12mm	<b>VBD-CH-S6</b>  10.6mm x 23.44mm x 20.15mm
SKU: 666561423278	SKU: 666561423285	SKU: 666561423315
<b>VBD-CH-S5</b>  6mm x 17mm x 13mm	<b>VBD-CH-S5B</b>  6mm x 17mm x 13mm	<b>VBD-CH-B1</b>  6.14mm x 18.77mm x 13.89mm
SKU: 666561423292	SKU: 666561423308	SKU: 666561423360
<b>VBD-CH-C2</b>  18.5mm x 18.5mm x 14mm	<b>VBD-CH-C2B</b>  18.5mm x 18.5mm x 14mm	<b>VBD-CH-RF4</b>  23.4mm x 18.6mm x 18.6mm
SKU: 666561423506	SKU: 666561423513	SKU: 666561423377
<b>VBD-CH-RF1</b>  17mm x 15mm x 12.5mm	<b>VBD-CH-RF1B</b>  17mm x 15mm x 12.5mm	<b>VBD-CH-C1</b>  25.68mm x 21.19mm x 15.07mm
SKU: 666561423339	SKU: 666561423346	SKU: 666561423490
<b>VBD-CH-C3</b>  30mm x 30mm x 20mm	<b>VBD-CH-C3B</b>  30mm x 30mm x 20mm	<b>VBD-CH-W1</b>  26.16mm x 21.43mm x 12mm
SKU: 666561423520	SKU: 666561423537	SKU: 666561423445
<b>VBD-CH-RF7</b>  32.16mm x 71mm x 75mm	<b>VBD-CH-RF8</b>  32mm x 70.15mm x 23.50mm	<b>VBD-CH-S2</b>  9.28mm x 56.75mm x 17.29mm
SKU: 666561423407	SKU: 666561423414	SKU: 666561423254
<b>VBD-CH-WC4</b>  45.50mm x 85mm x 57.68mm	<b>VBD-CH-WC5</b>  39mm x 43.03mm x 53.84mm	<b>VBD-CH-ST2</b>  21mm x 95mm x 13mm
SKU: 666561423629	SKU: 666561423636	SKU: 666561423582
<b>VBD-CH-S3</b>  55.38mm x 13.56mm x 7.96mm	<b>VBD-CH-RF6</b>  31.90mm x 46.42mm x 23.80mm	<b>VBD-CH-RF5</b>  32mm x 30.84mm x 34.79mm
SKU: 666561423261	SKU: 666561423391	SKU: 666561423384
<b>VBD-CH-R2</b>  25.95mm x 21.84mm x 22.94mm	<b>VBD-CH-R2B</b>  25.95mm x 21.84mm x 22.94mm	<b>VBD-CH-D10</b>  136mm x 13.66mm x 12mm
SKU: 666561423742	SKU: 666561428280	SKU: 666561420023

For more information about our products and services, please visit our website: [www.veroboard.com](http://www.veroboard.com)

<b>VBD-CH-WC1</b>  SKU: 666561423599	<b>VBD-CH-WC2</b>  SKU: 666561423605	<b>VBD-CH-WC3</b>  SKU: 666561423612	<b>VBD-CH-S1</b>  SKU: 666561423247	<b>VBD-CH-R3</b>  SKU: 666561423759	<b>VBD-CH-RF10</b>  SKU: 666561423438	
<b>VBD-CH-S55</b>  SKU: 666561429966	<b>VBD-CH-S55B</b>  SKU: 666561429973	<b>VBD-CH-C5</b>  SKU: 666561423568	<b>VBD-CH-R1</b>  SKU: 666561423735	<b>VBD-CH-D1</b>  SKU: 666561423643	<b>VBD-CH-D5</b>  SKU: 666561423681	
<b>VBD-CH-RS5</b>  SKU: 666561428631	<b>VBD-CH-RS5B</b>  SKU: 666561428648	<b>VBD-CH-D7</b>  SKU: 666561423704			<b>VBD-CH-D8</b>  SKU: 666561423711	<b>VBD-CH-D9</b>  SKU: 666561423728
<b>VBD-CH-M1</b>  SKU: 666561423773	<b>VBD-CH-M1B</b>  SKU: 666561431013	<b>VBD-CH-E1</b>  SKU: 666561423483		<b>Note:</b> To avoid a dark spot on the sides of these channels (RF10, RF6, RF8, R3, S1, R3) we recommend installing more than one Run LED Strip. For more details please contact us at: <a href="mailto:sales@veroboard.com">sales@veroboard.com</a>		

## RECOMMENDED LED POWER SUPPLIES (Sold Separately)

For more options and varieties, please visit our website: [www.veroboard.com](http://www.veroboard.com)

### Constant Voltage Dimmable LED Drivers (5 in 1), Triac/Phase, 0-10V, 1-10V, Potentiometer, 10V PWM 5 in 1 Dimming



Model No.	Input Voltage	Output Voltage	Wattage	IP Rating	Class	Max. Strip Length	SKU#
VBD-012-030C2DM5i1	100-277V	12V	30W	IP67	Class 2	12ft	666561425999
VBD-012-060C2DM5i1	100-277V	12V	60W	IP67	Class 2	24ft	666561426002
VBD-012-100C2DM5i1	100-277V	12V	100W	IP65	Type HL	40ft	666561428426
VBD-012-150C2DM5i1	100-277V	12V	150W	IP65	Type HL	60ft	666561428433
VBD-012-180C2DM5i1	100-277V	12V	180W (3x60W)	IP67	Class 2	72ft	666561426019
VBD-012-300C2DM5i1	100-277V	12V	300W (5x60W)	IP67	Class 2	120ft	666561426026

### Constant Voltage Triac LED Drivers forward Phase, Magnetic Low Voltage & Triac Dimmers



Model No.	Input Voltage	Output Voltage	Wattage	IP Rating	Class	Max. Strip Length	SKU#
VBD-012-024DM	100-130V	12V	24W	IP20	Class 2	9.6ft	666561415761
VBD-012-048DM	100-130V	12V	48W	IP20	Class 2	19.2ft	666561415754
VBD-012-060DM	100-130V	12V	60W	IP20	Class 2	24ft	666561415747
VBD-012-096DM	100-130V	12V	96W	IP67	-	38.4ft	666561415730
VBD-012-150DM	100-130V	12V	150W	IP67	-	60ft	666561415723
VBD-012-200DM	100-130V	12V	200W	IP67	-	80ft	666561415716
VBD-012-300VTHWJ	100-277V	12V	300W	IP65	-	120ft	666561419790

For more information about our products and services, please visit our website: [www.veroboard.com](http://www.veroboard.com)

