

VEROBOARD®

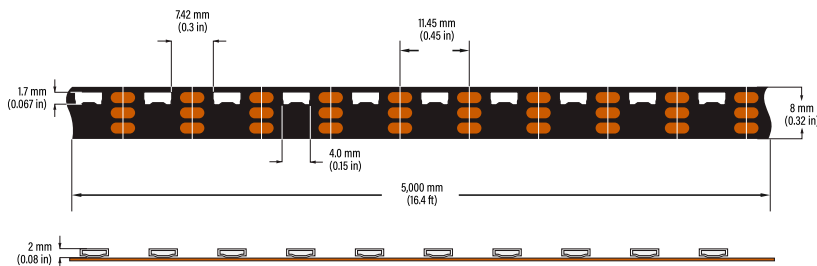
LED Type: VBDFS-4020-RGB-90-5-NS (Side Emitting)
Colour: RGB (SK6812)



DESCRIPTION

Flexible 8mm wide linear side-emitting digital LED strip. Available in 5 meters (16.4 feet) roll that can be cut after every LED (11.45 mm or 0.45 in). The LED strip lights are manufactured with high-quality materials and designed for professional lighting. Each LED is addressable and has an integrated IC driver V6842, allowing you total control over the color of each RGB SMD. Moreover, each SMD has a built-in SK6812 Smart Control Circuit. It helps in making the RGB chip in outer SMD into a fully controlled pixel. The strip light is an intelligent control LED light source integrated into the 4020 side-LED components. They are 90 RGB side-LEDs in a meter and need a 5V DC power supply.

DIMENSIONS



SPECIFICATIONS

Model:	VBDFS-4020-RGB-90-5-NS (Side Emitting)
Color Temperature:	RGB (SK6812)
LED Type:	4020 SMD
LED Qty:	90 LEDs per meter
Input Voltage (VF):	5V DC
Power:	9W per meter (3W/ft)
IC Driver:	V6842 (Built-in)
Lifespan:	>50,000 hours
PCB:	4oz PCB, Double-side, white colour 8mm width
IP Rating:	IP20 (Indoor use only)
Rendering Index (Ra):	CRI>95
Beam Angle:	120°
Dimmable:	Yes
Cut Size:	11.45 mm (0.45")
Operating Temperature:	-40°C to +60°C
Dimensions:	5,000mm x 8mm x 2.7mm (196.8" x 0.31" x 0.1")
Certificates:	UL / RoHs
Roll Length:	5 meter roll (16.4ft)

Job Name: _____

Distributor: _____

Type: _____

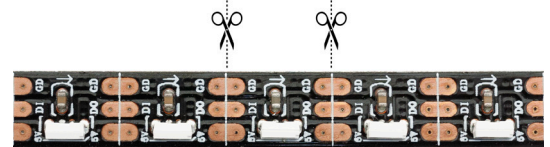
	Wattage
Per Foot	3W/ft
Per Meter	9W/m



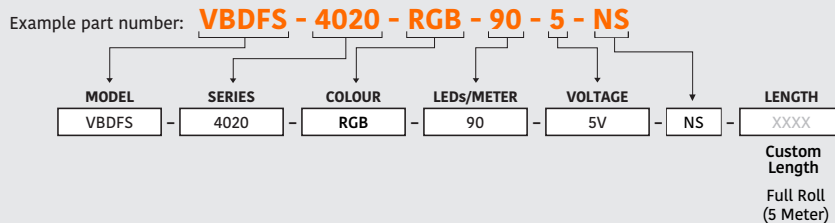
666561425418



0.45 in
Cut Points



ORDERING GUIDE



For more information about our products and services, please visit our website: www.veroboard.com

RECEIVERS (Sold Separately)



Model: SR-SPI-OLED(WiFi)

SKU: 666561432362

Compatible Controller:

- SR-2858Z4 (DMX) **SKU:** 666561433338



Model: WT-SPI

SKU: 666561433369

Compatible Controller:

- R9 **SKU:** 666561433376

To see all available controllers and remote controls, please scan the QR code with your smartphone.



Disclaimer:

The data and information contained in this specification sheet are subject to change without notice; the ratings supplied are provided based on the product manufacturer. The information contained in this specification sheet should not be considered a warranty, expressed or implied, including, but not limited to, a warranty of merchantability or fitness for a particular purpose. In no event shall Veroboard be liable for any incidental or consequential damages resulting from the use, misuse, or inability to use the product. This exclusion applies regardless of whether such damages are sought based on breach of warranty, breach of contract, negligence, strict liability in tort, or any other legal theory.

CUSTOM ORDERING GUIDE

Single Run (Straight Run): The below ordering guide will be used for single run LED strip.

- **PFL:** Power Feed Length
- **SL:** Strip Length

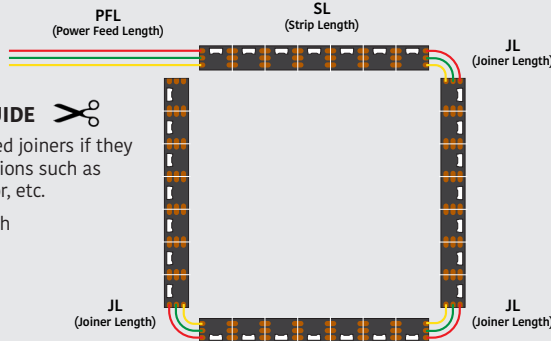


Example: 2 (QTY) x 36" (PFL) - 84" (SL) x -

CUSTOM ORDERING GUIDE

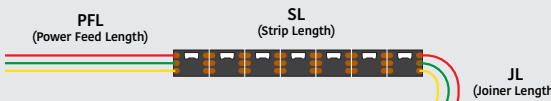
Joiner: LED strip lights need joiners if they are used for curve applications such as corner side, behind a mirror, etc.

- **PFL:** Power Feed Length
- **SL:** Strip Length
- **JL:** Joiner Length



x - - - - - - -

Example: 1 (QTY) x 12" (PFL) - 46" (SL) - 1" (JL) - 36" (SL) - 1" (JL) - 46" (SL) - 1" (JL) - 36" (SL)



Note: Joiners will be 1-inch size unless customers require a specific size.

x - - -

Example: 2 (QTY) x 24" (PFL) - 52" (SL) - 1" (JL) - 52" (SL)

RECOMMENDED LED ALUMINUM CHANNELS

(Sold Separately)

VBD-CH-RF9	VBD-CH-H1	VBD-CH-H2
SKU: 666561423421	SKU: 666561428570	SKU: 666561428594

Notes: _____

Disclaimer:

The data and information contained in this specification sheet are subject to change without notice; the ratings supplied are provided based on the product manufacturer. The information contained in this specification sheet should not be considered a warranty, expressed or implied, including, but not limited to, a warranty of merchantability or fitness for a particular purpose. In no event shall Veroboard be liable for any incidental or consequential damages resulting from the use, misuse, or inability to use the product. This exclusion applies regardless of whether such damages are sought based on breach of warranty, breach of contract, negligence, strict liability in tort, or any other legal theory.

For more information about our products and services, please visit our website: www.veroboard.com