

**PRODUCT  
CATALOG  
2024**

# VEROBOARD®

CANADIAN-BASED LIGHTING MANUFACTURER

## LED ACCESSORIES

**Aircraft Cables  
Mounting Clips  
Connectors  
Wires**



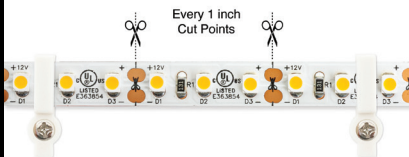
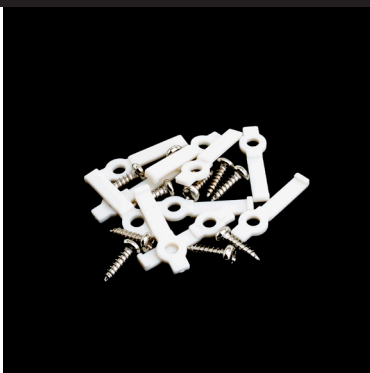
Accessories help in the easing the installation process. All our accessories are manufactured with high-quality materials that meet industry standards. Our stranded wires are compliant with the National Electrical Code (NEC) regulations.

# VEROBOARD LED ACCESSORIES

## VBD-HLD-8MM

**Width:** 8mm  
**Material:** Plastic  
**Product Content:** Mounting Clips with Screws (Pack of 10)

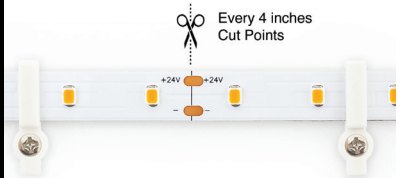
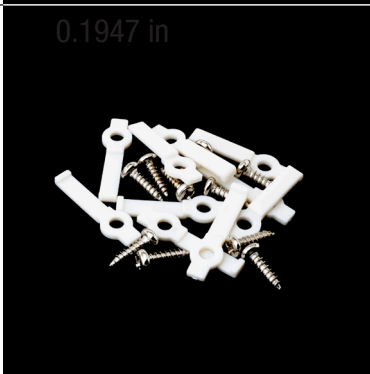
**SKU:** 666561424657



## VBD-HLD-10MM

**Width:** 10mm  
**Material:** Plastic  
**Product Content:** Mounting Clips with Screws (Pack of 10)

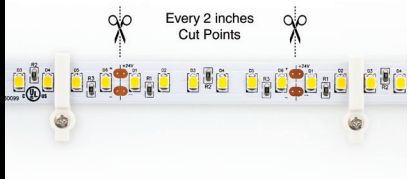
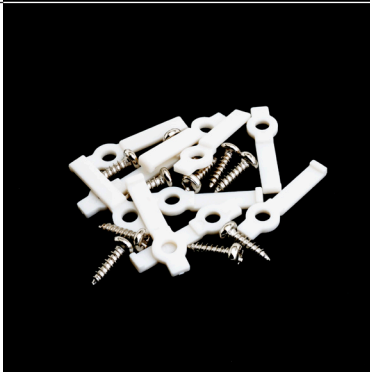
**SKU:** 666561424664



## VBD-HLD-12MM

**Width:** 12mm  
**Material:** Plastic  
**Product Content:** Mounting Clips with Screws (Pack of 10)

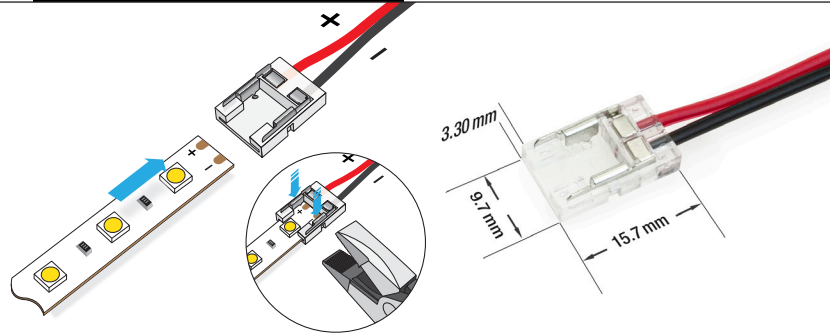
**SKU:** 666561424671



## VBD-BC-8MM-1S1W

**Width:** 8mm  
**Amp Load:** 12V-5A / 24V-4A  
**Wire Gauge:** 18 AWG-20 AWG  
**Material:** Clear Plastic  
**Connectors:** 2 Pin  
**Product Content:** Wire to LED Strip Connectors (Pack of 3)

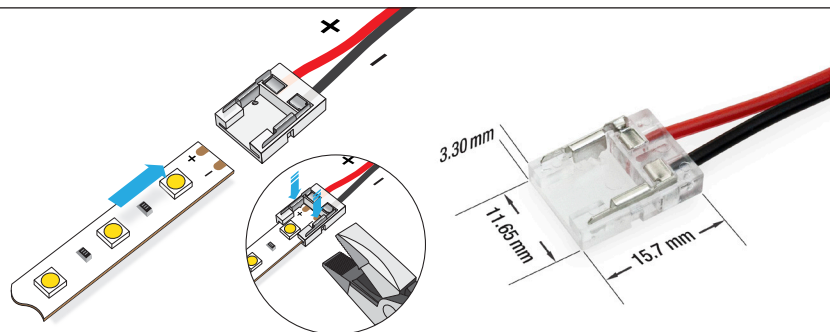
**SKU:** 666561428204



## VBD-BC-10MM-1S1W

**Width:** 10mm  
**Amp Load:** 12V-5A / 24V-4A  
**Wire Gauge:** 18 AWG-20 AWG  
**Material:** Clear Plastic  
**Connectors:** 2 Pin  
**Product Content:** Wire to LED Strip Connectors (Pack of 3)

**SKU:** 666561428211

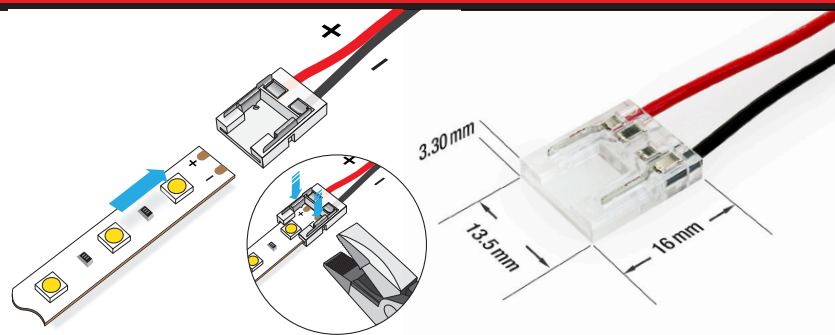


# VEROBOARD LED ACCESSORIES

## VBD-BC-12MM-1S1W

<b>Width:</b>	12mm
<b>Amp Load:</b>	12V – 5A / 24V – 4A
<b>Wire Gauge:</b>	18 AWG – 20 AWG
<b>Material:</b>	Clear Plastic
<b>Connectors:</b>	2 Pin
<b>Product Content:</b>	Wire to LED Strip Connectors (Pack of 3)

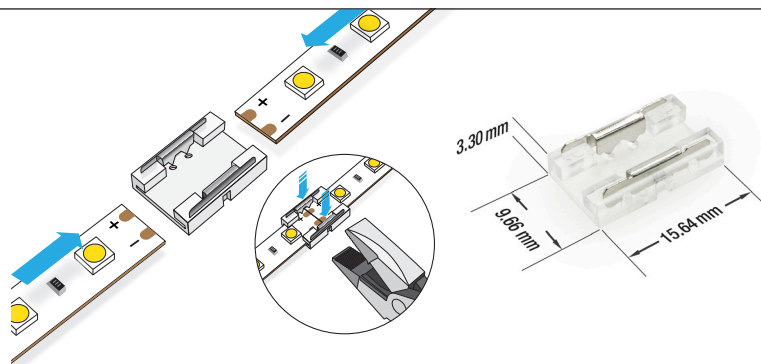
SKU: 666561428914



## VBD-BC-8MM-2S

<b>Width:</b>	8mm
<b>Amp Load:</b>	12V-5A / 24V-4A
<b>Material:</b>	Clear Plastic
<b>Connectors:</b>	2 Pin
<b>Product Content:</b>	LED Strip to Strip Connectors (Pack of 3)

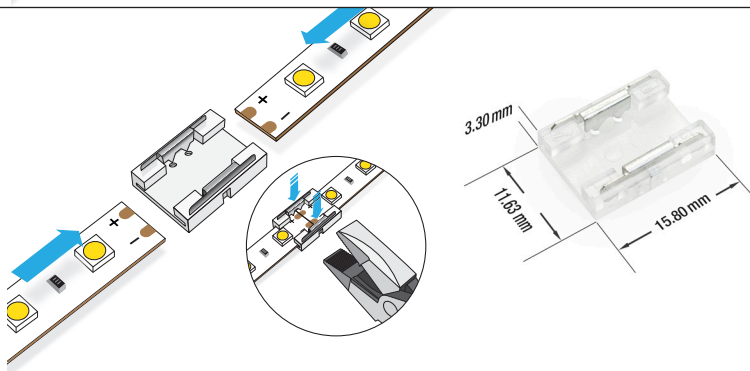
SKU: 666561428181



## VBD-BC-10MM-2S

<b>Width:</b>	10mm
<b>Amp Load:</b>	12V-5A / 24V-4A
<b>Material:</b>	Clear Plastic
<b>Connectors:</b>	2 Pin
<b>Product Content:</b>	LED Strip to Strip Connector (Pack of 3)

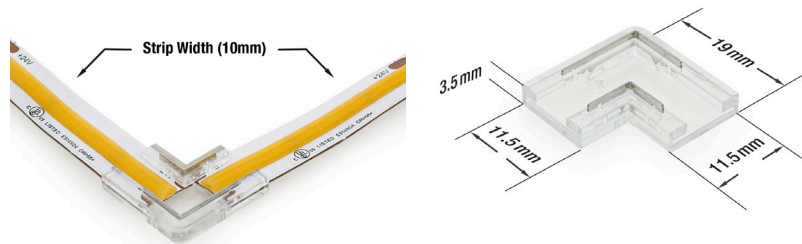
SKU: 666561428198



## VBD-BC-10MM-L2S

<b>Width:</b>	10mm
<b>Amp Load:</b>	12V-5A / 24V-4A
<b>Material:</b>	Clear Plastic
<b>Connectors:</b>	2 Pin
<b>Product Content:</b>	LED Strip to Strip Connectors (Pack of 3)

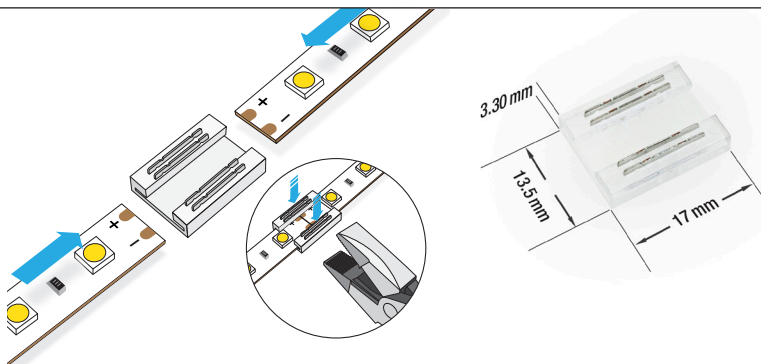
SKU: 666561430504



## VBD-BC-12MM-2S

<b>Width:</b>	12mm
<b>Amp Load:</b>	12V-5A / 24V-4A
<b>Material:</b>	Clear Plastic
<b>Connectors:</b>	2 Pin
<b>Product Content:</b>	LED Strip to Strip Connector (Pack of 3)

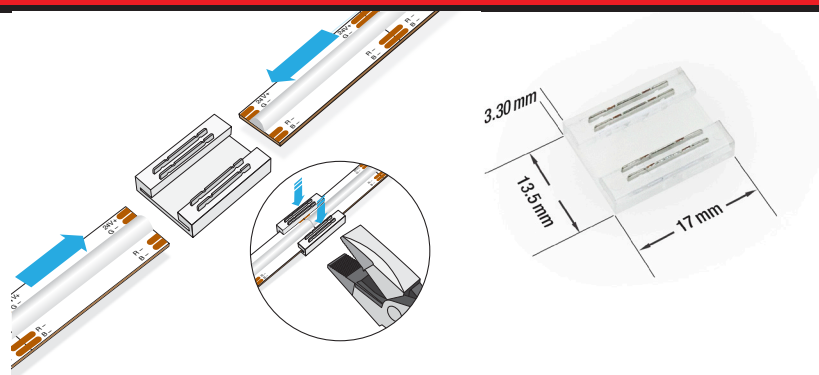
SKU: 666561428921



## VBD-RGBBC-12MM-2S

<b>Width:</b>	12mm
<b>Amp Load:</b>	12V-5A / 24V-4A
<b>Material:</b>	Clear Plastic
<b>Connectors:</b>	4 Pin
<b>Product Content:</b>	LED Strip to Strip Connectors (Pack of 1)

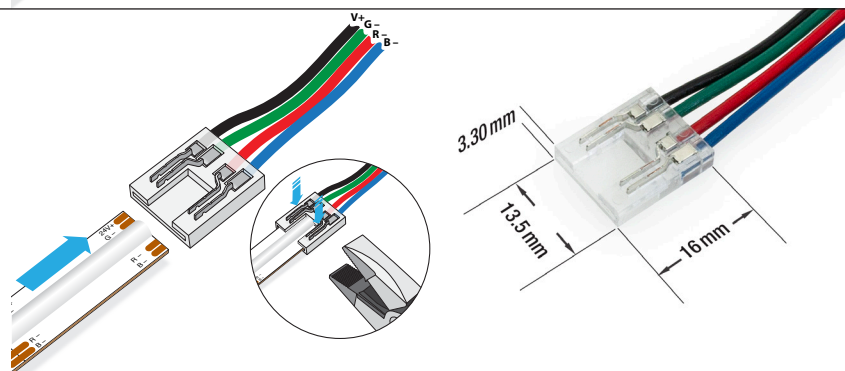
**SKU:** 666561430306



## VBD-RGBBC-12MM-1S1W

<b>Width:</b>	12mm
<b>Amp Load:</b>	12V-5A / 24V-4A
<b>Material:</b>	Clear Plastic
<b>Connectors:</b>	2 Pin
<b>Product Content:</b>	Wire to RGB LED Strip Connector (Pack of 1)

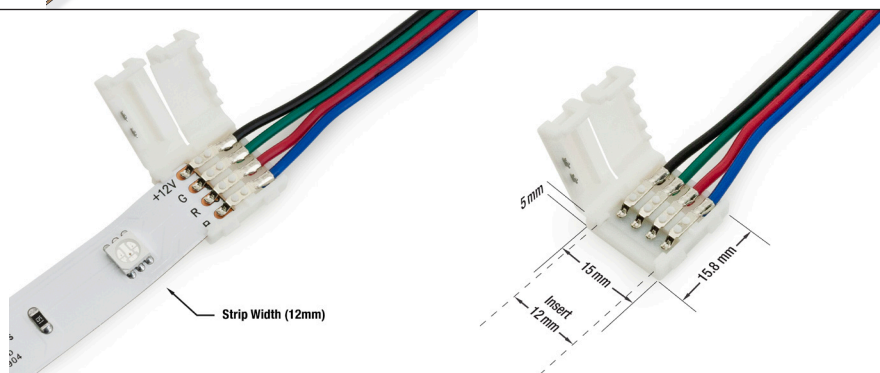
**SKU:** 666561430290



## VBD-RGBCON-12MM-1S1W

<b>Width:</b>	12mm
<b>Amp Load:</b>	12V-24V DC (maximum current of 3A)
<b>Material:</b>	Plastic
<b>Connectors:</b>	4 Pin
<b>Product Content:</b>	Wire to RGB LED Strip Connector (Pack of 1)

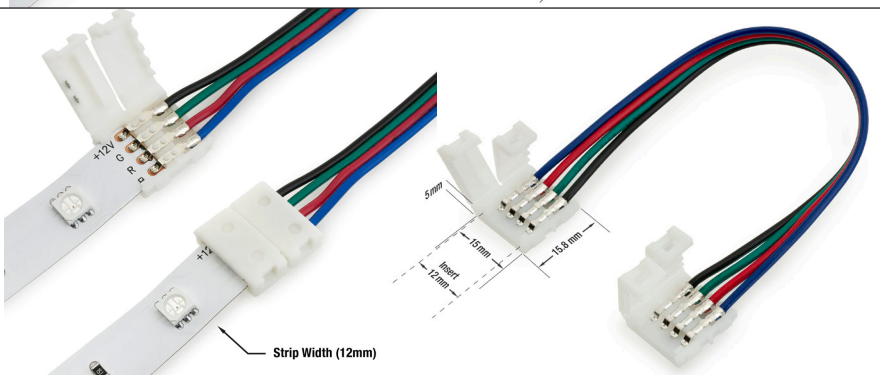
**SKU:** 666561406967



## VBD-RGBCON-12MM-CRNR

<b>Width:</b>	12mm
<b>Amp Load:</b>	12V-24V DC (maximum current of 3A)
<b>Material:</b>	Plastic
<b>Connectors:</b>	4 Pin
<b>Product Content:</b>	RGB to RGB Strip Connector (Pack of 1)

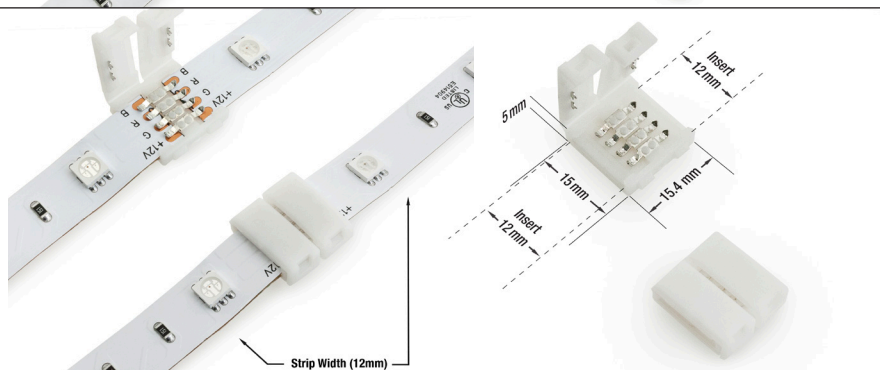
**SKU:** 666561406776



## VBD-RGBCON-12MM-2S

<b>Width:</b>	12mm
<b>Amp Load:</b>	12V-24V DC (maximum current of 3A)
<b>Material:</b>	Plastic
<b>Connectors:</b>	4 Pin
<b>Product Content:</b>	RGB to RGB Strip Connector (Pack of 1)

**SKU:** 666561406912

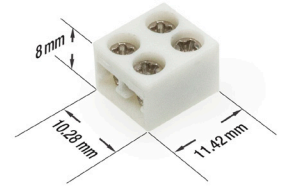
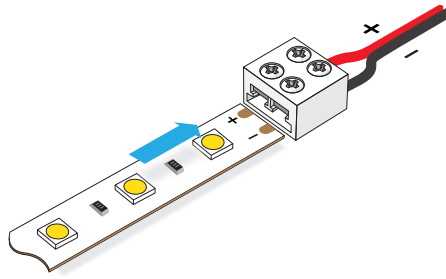


# VEROBOARD LED ACCESSORIES

## VBD-CON-SC8MM-SW

<b>Width:</b>	8mm
<b>Amp Load:</b>	12V-5A / 24V-4A
<b>Material:</b>	Plastic
<b>Connectors:</b>	4 Pin
<b>Product Content:</b>	Wire to LED Strip Terminal Block Connectors (Pack of 3)

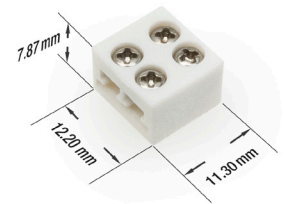
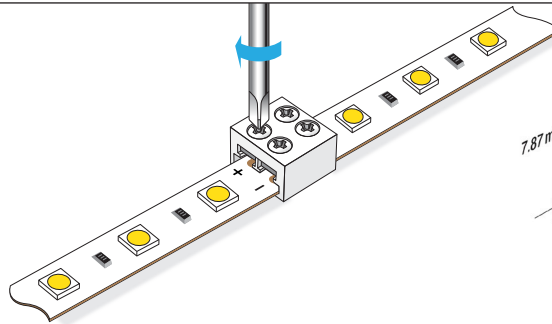
**SKU:** 666561427443



## VBD-CON-SC10MM-SS

<b>Width:</b>	10mm
<b>Amp Load:</b>	12V-5A / 24V-4A
<b>Material:</b>	Plastic
<b>Connectors:</b>	4 Pin
<b>Product Content:</b>	LED Strip to Strip Terminal Block Connectors (Pack of 3)

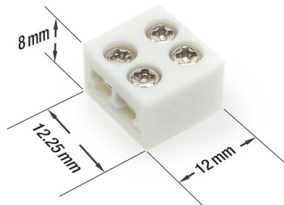
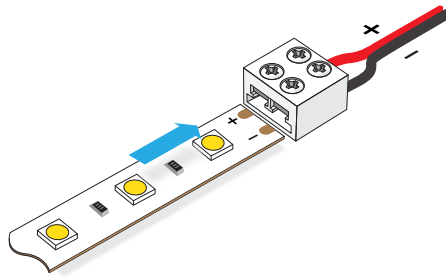
**SKU:** 666561427931



## VBD-CON-SC10MM-SW

<b>Width:</b>	10mm
<b>Amp Load:</b>	12V-5A / 24V-4A
<b>Material:</b>	Plastic
<b>Connectors:</b>	4 Pin
<b>Product Content:</b>	Wire to LED Strip Terminal Block Connectors (Pack of 3)

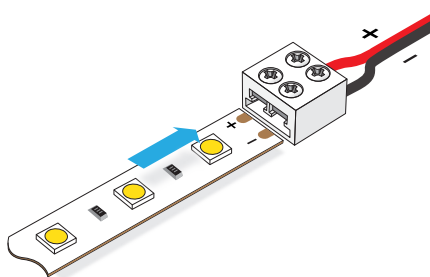
**SKU:** 666561427467



## VBD-SCON-10MM-1S1W

<b>Width:</b>	10mm
<b>Amp Load:</b>	12V - 5A / 24V - 4A
<b>Wire Gauge:</b>	18 AWG - 20 AWG
<b>Material:</b>	Plastic
<b>Wire Length:</b>	3 Feet
<b>Product Content:</b>	Wire to LED Strip Terminal Block Connectors (Pack of 5)

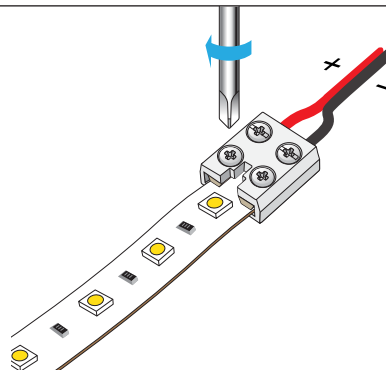
**SKU:** 666561427573



## VBD-SCON-12MM-1S1W

<b>Width:</b>	12mm
<b>Amp Load:</b>	12V - 5A / 24V - 4A
<b>Wire Gauge:</b>	18 AWG - 20 AWG
<b>Material:</b>	Clear Plastic
<b>Wire Length:</b>	3 Feet
<b>Product Content:</b>	Wire to LED Strip Terminal Block Connectors (Pack of 5)

**SKU:** 666561427580





## VBD-AIRC-10F-ERWS

**Material:** Stainless Steel  
**Wire Diameter:** Ø 1.5mm  
**Wire Length:** 10ft (Adjustable)  
**Product Content:** Cable, Griplock Coupler with Anchor & Screw (Pack of 2)

**SKU:** 666561417468



## VBD-AIRC-3F-R3

**Material:** Stainless Steel  
**Wire Diameter:** Ø 1.5mm  
**Wire Length:** 3ft (Adjustable)  
**Product Content:** Cable, Griplock Coupler with Anchor & Screw (Pack of 2)

**SKU:** 666561431044



## VBD-AIRC-6F-H1-2

**Material:** Stainless Steel  
**Wire Diameter:** Ø 1.5mm  
**Wire Length:** 6ft (Adjustable)  
**Product Content:** Cable, Griplock Coupler with Anchor & Screw (Pack of 2)

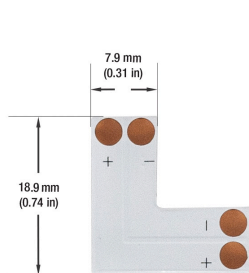
**SKU:** 666561430009



## VBD-AIRC-6F-H3

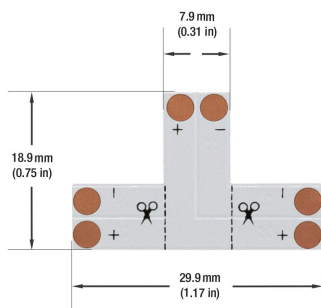
**Material:** Stainless Steel  
**Wire Diameter:** Ø 1.5mm  
**Wire Length:** 6ft (Adjustable)  
**Product Content:** Cable, Griplock Coupler with Anchor & Screw (Pack of 2)

**SKU:** 666561430016



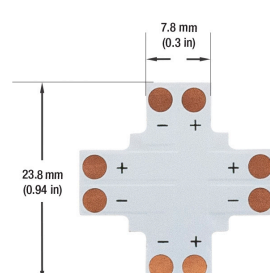
**VBD-FPC8-L2A**  
 8mm PCB Type Single Color  
 L Shape Connector

**SKU:** 666561430443



**VBD-FPC8-T2A**  
 8mm PCB Type Single Color  
 3 Way Connector

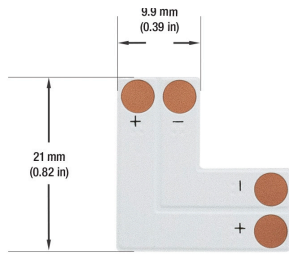
**SKU:** 666561430450



**VBD-FPC8-C2A**  
 8mm PCB Type Single Color  
 4 Way Connector

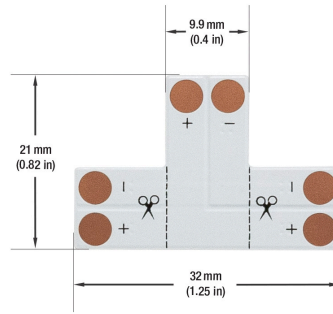
**SKU:** 666561430467

# VEROBOARD LED ACCESSORIES



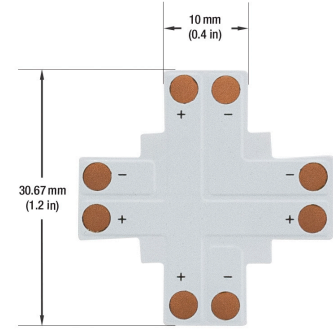
**VBD-FPC10-L2A**  
10mm PCB Type Single Color  
L Shape Connector

**SKU: 666561430474**



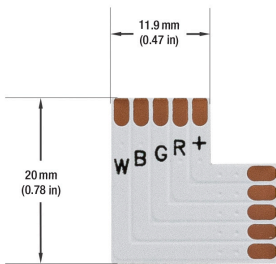
**VBD-FPC10-T2A**  
10mm PCB Type Single Color  
3 Way Connector

**SKU: 666561430481**



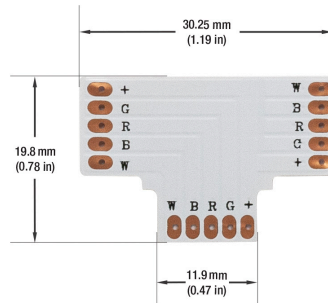
**VBD-FPC10-C2A**  
10mm PCB Type Single Color  
4 Way Connector

**SKU: 666561430498**



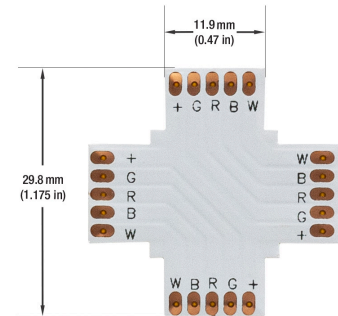
**VBD-FPC12-L5A**  
12mm PCB Type  
RGBW L Shape Connector

**SKU: 666561406943**



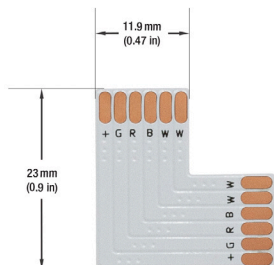
**VBD-FPC12-T5A**  
12mm PCB Type RGBW  
3 Way Expansion Connector

**SKU: 666561406936**



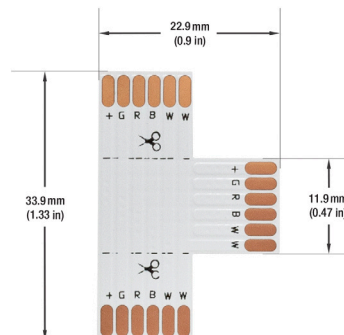
**VBD-FPC12-C5A**  
12mm PCB Type RGBW  
4 Way Expansion Connector

**SKU: 666561406929**



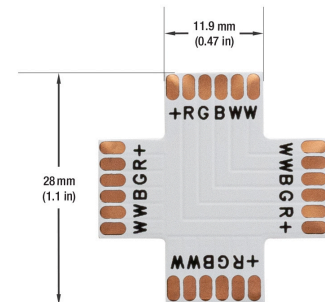
**VBD-FPC12-L6A**  
12mm PCB Type L Shape Expansion  
Connector for WRGBWW Strip Light

**SKU: 666561430726**



**VBD-FPC12-T6A**  
12mm PCB Type 3 Way Expansion  
Connector for WRGBWW Strip Light

**SKU: 666561430733**



**VBD-FPC12-C6A**  
12mm PCB Type 4 Way Expansion  
Connector for WRGBWW Strip Light

**SKU: 666561430740**



# VEROBOARD LED ACCESSORIES

## VBD-100-22AWG-RGB

Wire Gauge:	22 AWG
Wire Length:	30.5 Meter (100 Feet)
Wire Type:	Stranded
Temperature Rating:	80°C
Voltage Rating:	300V
Conductors:	4 [RGB-Black (+)]



SKU: 666561432249

## VBD-100-16AWG-RB

Wire Gauge:	16 AWG
Wire Length:	30.5 Meter (100 Feet)
Wire Type:	Stranded
Temperature Rating:	80°C
Voltage Rating:	300V
Conductors:	2 (Red and Black)



SKU: 666561426279

## VBD-100-18AWG-RB

Wire Gauge:	18 AWG
Wire Length:	30.5 Meter (100 Feet)
Wire Type:	Stranded
Temperature Rating:	80°C
Voltage Rating:	300V
Conductors:	2 (Red and Black)



SKU: 666561426262

## VBD-100-22AWG-RB

Wire Gauge:	22 AWG
Wire Length:	30.5 Meter (100 Feet)
Wire Type:	Stranded
Temperature Rating:	80°C
Voltage Rating:	300V
Conductors:	2 (Red and Black)



SKU: 666561426255

## VBD-100-22AWG-W

Wire Gauge:	22 AWG
Wire Length:	30.5 Meter (100 Feet)
Wire Type:	Stranded
Temperature Rating:	80°C
Voltage Rating:	300V
Conductors:	2 (White)



SKU: 666561426316

## VBD-328-22AWG-W

Wire Gauge:	22 AWG
Wire Length:	100 Meter (328 Feet)
Wire Type:	Stranded
Temperature Rating:	80°C
Voltage Rating:	300V
Conductors:	2 (White)



SKU: 666561426323