

White LED Track Light Head Dimmable 120V 20W 5CCT

SPECIFICATIONS



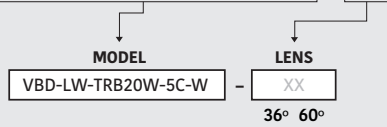
Model No.	VBD-LW-TRB20W-5C-W-xx
Voltage	120V AC
Wattage	20W
Color Temperatures	5CCT Selectable Color Temperature (2700K-3000K-3500K-4000K-5000K)
Material	Aluminum
Available Lens (Beam Angle)	36° • 60°
Rendering Index	CRI92
Dimmable	Yes (Triac Dimming)
IP Rating	IP20 (Indoor use only)
Type	H-Type
Certification	ETL/FCC

Features

- Dimmable with 5 CCT options for customizable lighting.
- Energy-efficient with 20W power consumption.
- Operates at 120V Type H voltage.
- Different beam angle lens available for versatile illumination.
- Flexible positioning along the track for adjustable lighting direction.
- Minimalistic design complements various interior styles.
- Easy installation suitable for residential and commercial applications.

ORDERING GUIDE

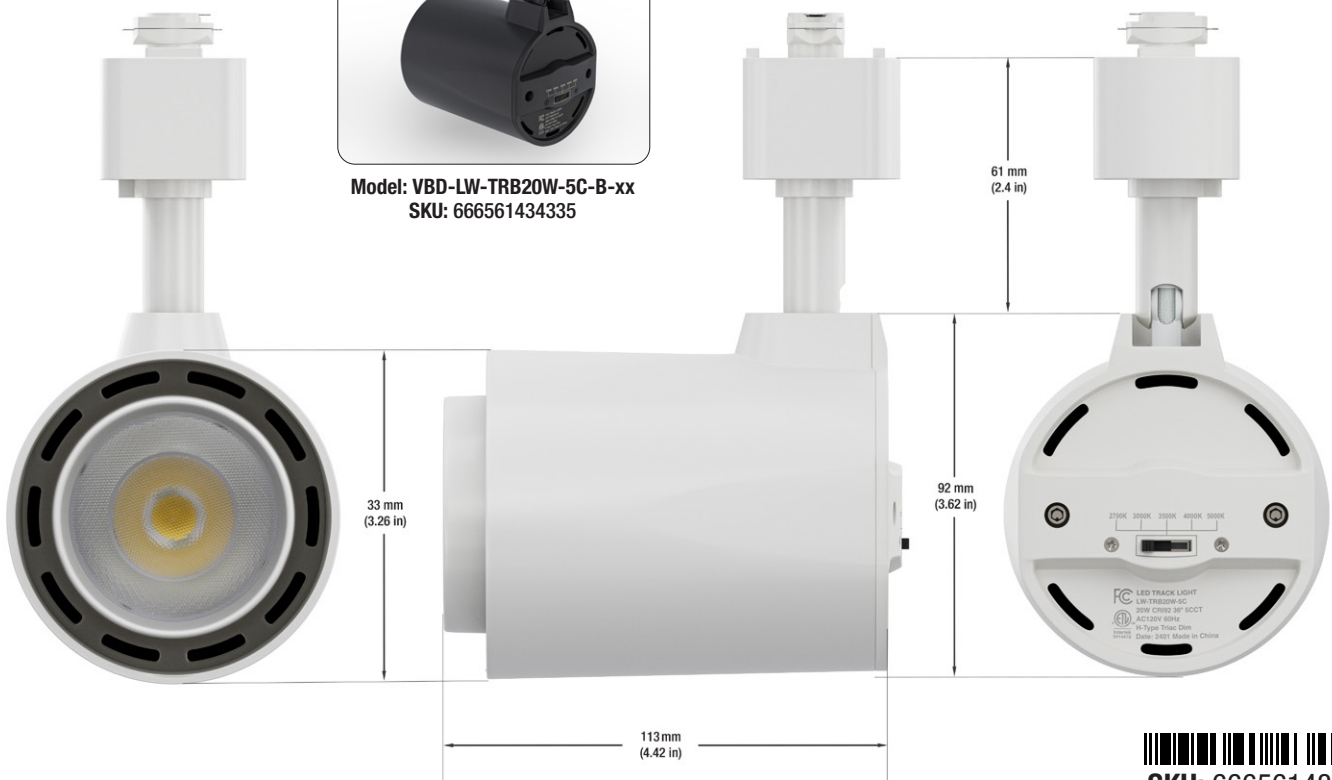
Example part number: **VBD-LW-TRB20W-5C-W-XX**



Available in Black Color



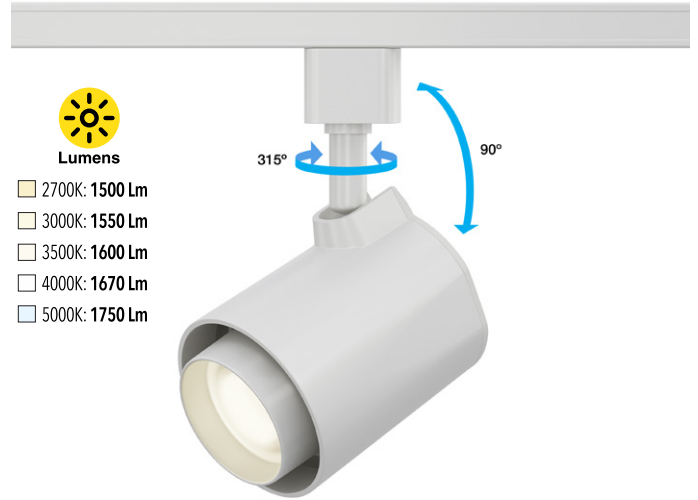
Model: VBD-LW-TRB20W-5C-B-xx
SKU: 666561434335



Job Name: _____

Distributor: _____

Type: _____



- Lumens**
- ☐ 2700K: 1500 Lm
 - ☐ 3000K: 1550 Lm
 - ☐ 3500K: 1600 Lm
 - ☐ 4000K: 1670 Lm
 - ☐ 5000K: 1750 Lm



Disclaimer:

The data and information contained in this specification sheet are subject to change without notice; the ratings supplied are provided based on the product manufacturer. The information contained in this specification sheet should not be considered a warranty, expressed or implied, including, but not limited to, a warranty of merchantability or fitness for a particular purpose. In no event shall Veroboard be liable for any incidental or consequential damages resulting from the use, misuse, or inability to use the product. This exclusion applies regardless of whether such damages are sought based on breach of warranty, breach of contract, negligence, strict liability in tort, or any other legal theory.



SKU: 666561434328

AVAILABLE LENSES *The track light comes with a lens of your choice; other extra lenses are sold separately.*



36° Beam Angle

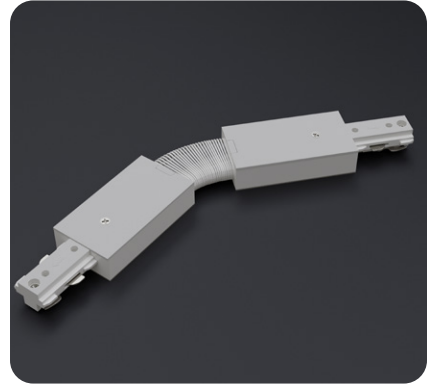


60° Beam Angle

**AVAILABLE
ACCESSORIES**
(Sold separately)



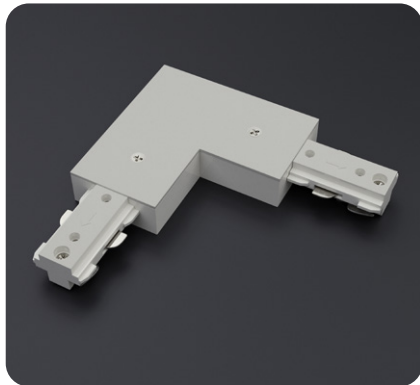
Track Mini Joiner H-Type
Model: VBD-0333-MJW
SKU: 666561434403



Track Angle Joiner H-Type
Model: VBD-0339-FJW
SKU: a666561434489



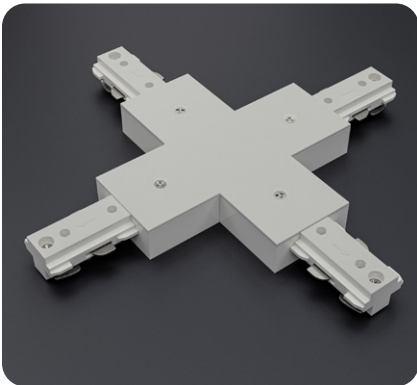
Track Live End Joiner H-Type
Model: VBD-0331-LEW
SKU: 666561434380



Track L Joiner H-Type
Model: VBD-0335-LJW
SKU: 666561434427



Track Mini T Joiner H-Type
Model: VBD-0336-TJW
SKU: 666561434441



Track Cross Joiner H-Type
Model: VBD-0337-CJW
SKU: 666561434465



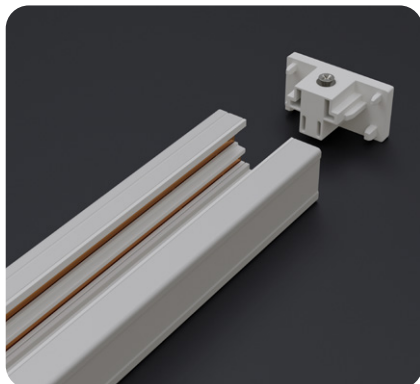
Track Floating Canopy H-Type
Model: VBD-0341-FCW
SKU: 666561434502



Track Monopoint Canopy H-Type
Model: VBD-0343-MCW
SKU: 666561434526

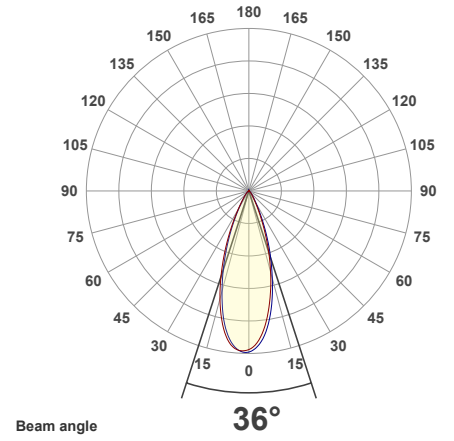
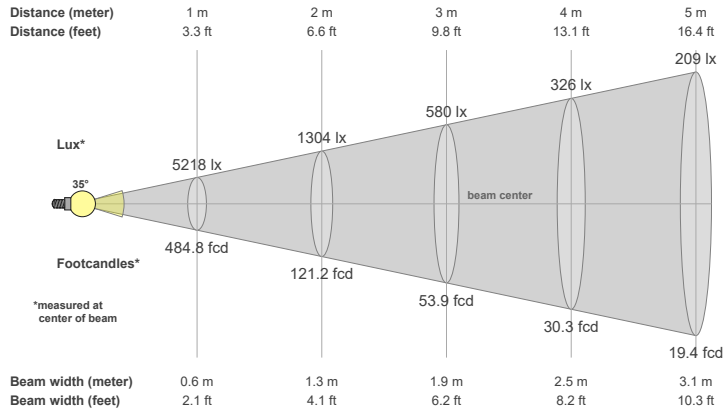


Track Cable Set H-Type
Model: VBD-AIRC-6F-TLW
SKU: 666561434540

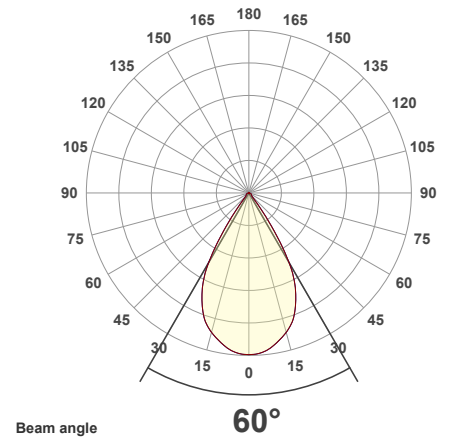
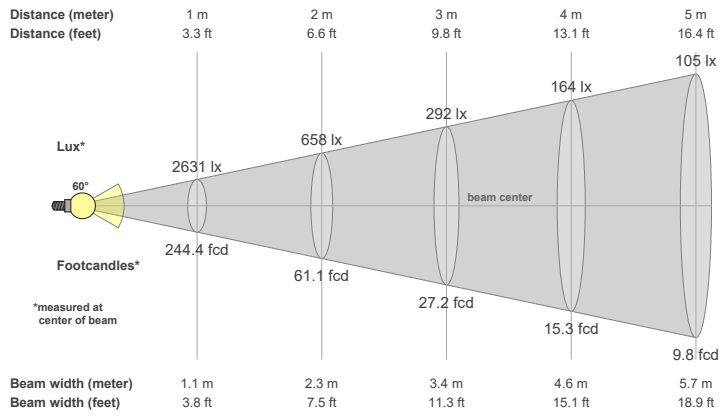


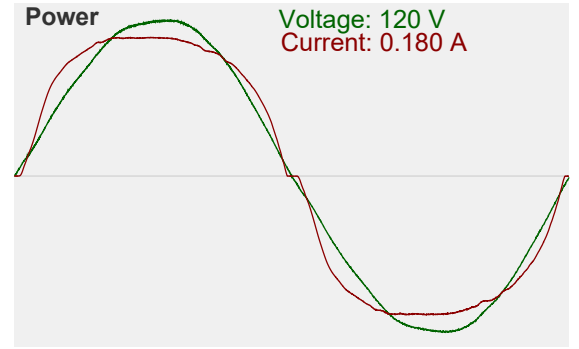
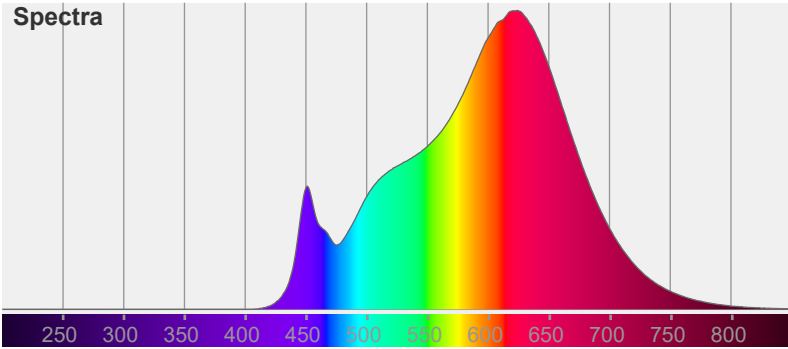
8ft H-Type Track (End caps included)
Model: VBD-0308-TCHW
SKU: 666561434366

36° LENS

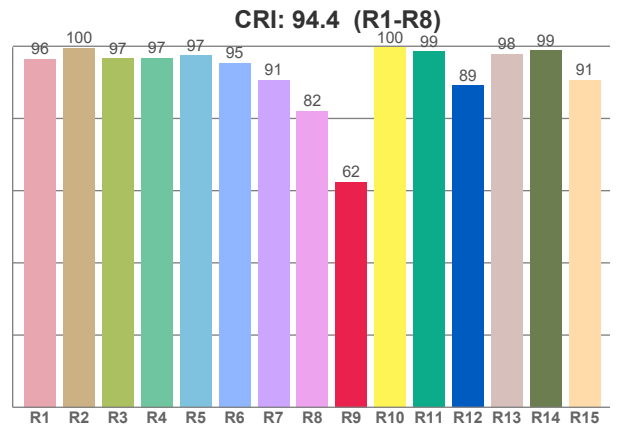
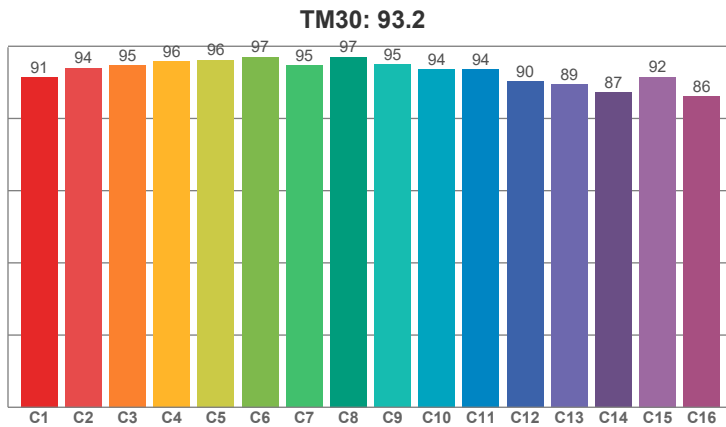
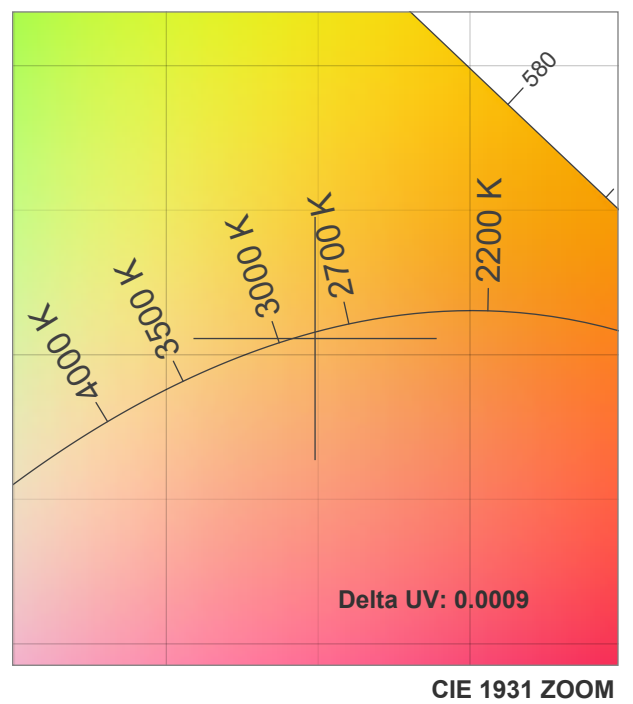
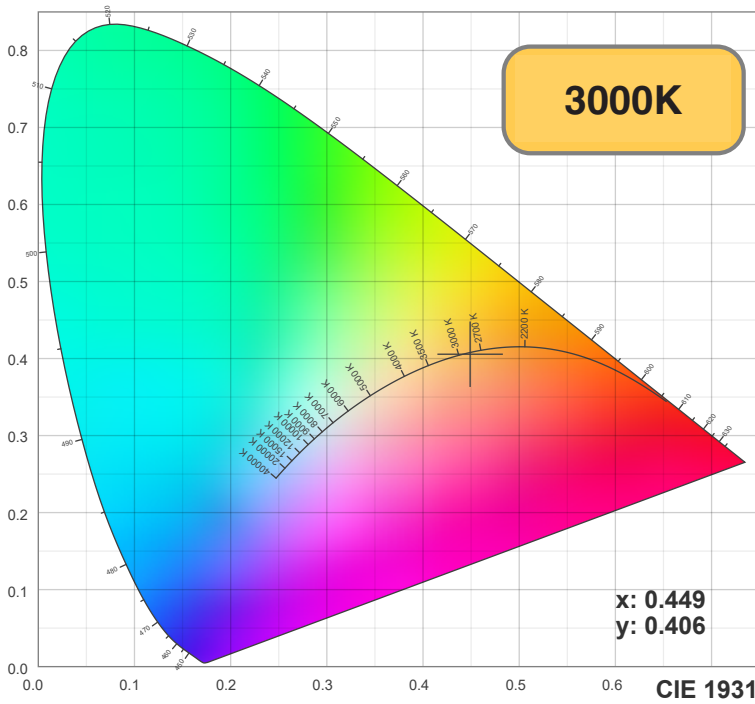


60° LENS





Light measurement was created using the Viso Systems - Light Inspector. www.visosystems.com



CRI R values, only R1-R8 are used to calculate final CRI value

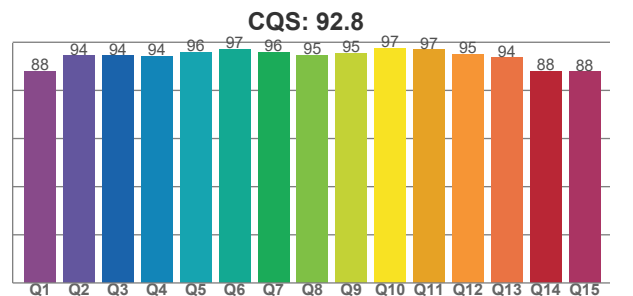
R1	R2	R3	R4	R5	R6	R7	R8	R9	R10	R11	R12	R13	R14	R15
96.47	99.57	96.70	96.82	97.41	95.37	90.66	82.13	62.47	99.75	98.61	89.14	97.93	98.87	90.69

TM30 C values, 16 binned values out of total of 99 C values

C1	C2	C3	C4	C5	C6	C7	C8	C9	C10	C11	C12	C13	C14	C15	C16
91.44	94.01	94.76	95.86	96.20	97.07	94.62	97.06	94.90	93.65	93.63	90.26	89.36	87.18	91.52	86.10

CQS Q values

Q1	Q2	Q3	Q4	Q5	Q6	Q7	Q8	Q9	Q10	Q11	Q12	Q13	Q14	Q15
88.03	94.36	94.33	94.24	95.78	97.18	95.93	94.73	95.46	97.40	96.84	95.07	93.51	87.76	87.74



Color parameters

CCT	CRI	CRI R9	TM30 Rf	TM30 Rg	CQS	x	y	u	v	Duv
2823 K	94.4	62.5	93.2	98.7	92.8	0.4	0.4	0.3	0.3	-0.0009