

R9 Remote Controller

RGB/RGBW

Model No.:	R9
Input Voltage:	3V DC
Battery Type:	CR2032
Working Current:	<5 mA
Remote Distance:	30m (Barrier-free space)
Supported LED Type:	RGB or RGBW
Key Type:	27 Keys
Compatible Controller:	WT-SPI
Dimensions:	107.5mm x 59mm x 10mm (4.23" x 2.32" x 0.375")
Certifications:	CE

Job Name: _____

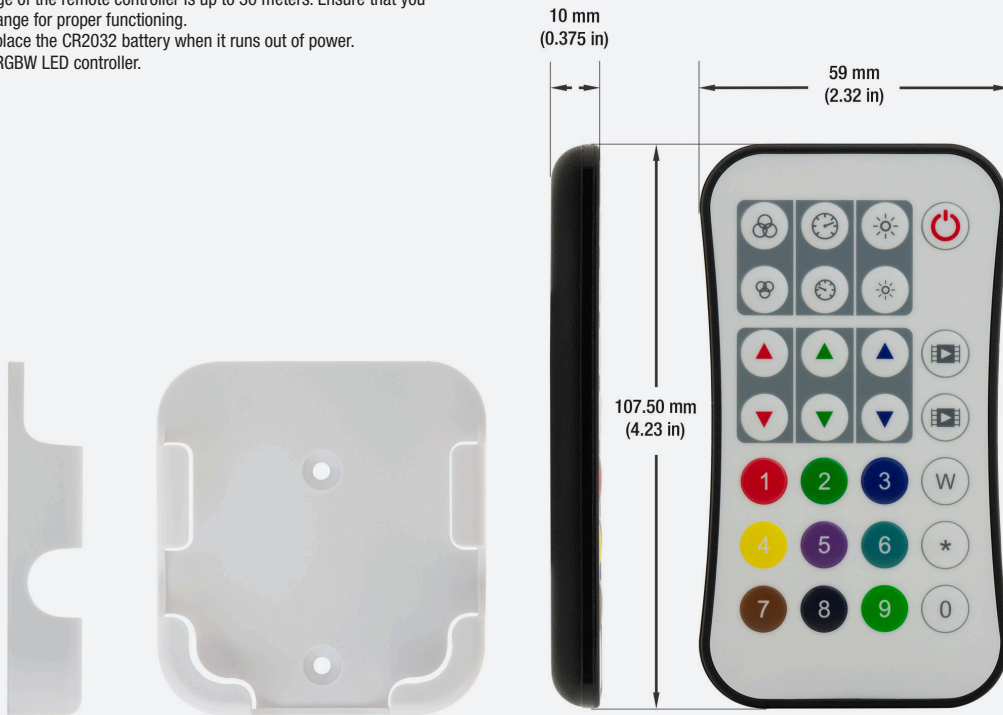
Distributor: _____

Type: _____



Features:

- Ensure that the LED controller you are using supports RGB or RGBW LEDs.
- Insert a CR2032 battery into the remote controller.
- Make sure that the LED indicator light on the remote controller is functioning.
- To match the remote controller with the receiver, follow the pairing instructions provided by the LED controller manufacturer.
- Once successfully paired, you can use the remote controller to control the RGB or RGBW LED lights.
- Use the 27 keys on the remote controller to adjust various lighting settings such as color, brightness, and mode.
- The wireless range of the remote controller is up to 30 meters. Ensure that you are within this range for proper functioning.
- Remember to replace the CR2032 battery when it runs out of power.
- Apply to RGB or RGBW LED controller.



Disclaimer:

The data and information contained in this specification sheet are subject to change without notice; the ratings supplied are provided based on the product manufacturer. The information contained in this specification sheet should not be considered a warranty, expressed or implied, including, but not limited to, a warranty of merchantability or fitness for a particular purpose. In no event shall Veroboard be liable for any incidental or consequential damages resulting from the use, misuse, or inability to use the product. This exclusion applies regardless of whether such damages are sought based on breach of warranty, breach of contract, negligence, strict liability in tort, or any other legal theory.



SKU: 666561433376

Ultrathin RF Remote Controller

Model No.: R9

1 zone RGB or RGBW/27 key/Wireless remote 30m distance/CR2032 battery



CE RoHS  LVD RED

Features

- Apply to RGB or RGBW LED controller.
- Each remote can match one or more receiver.
- CR2032 battery powered.
- Operate with LED indicator light.

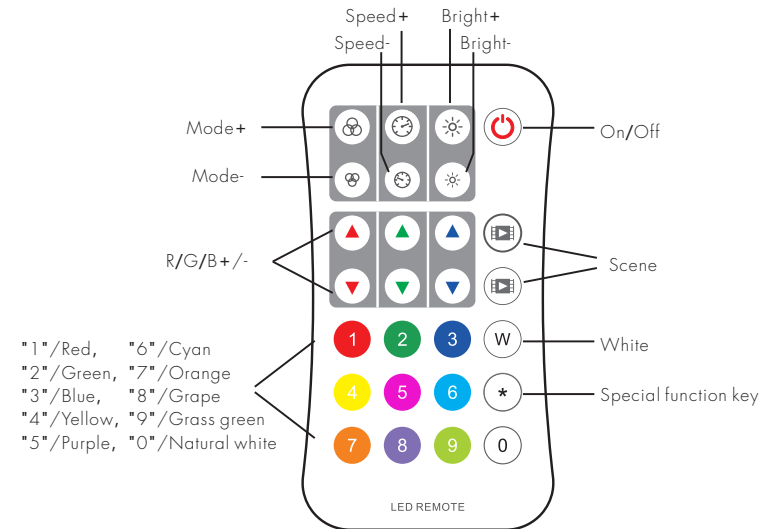
Technical Parameters

Input and Output	
Output signal	RF(2.4GHz)
Working voltage	3VDC(CR2032)
Working current	< 5mA
Standby current	< 2μA
Standby time	2 year
Remote distance	30m(Barrier-free space)
Environment	
Operation temperature	Ta: -30°C ~ +55°C
IP rating	IP20

Safety and EMC	
EMC standard (EMC)	EN301 489,EN 62479
Safety standard(LVD)	EN60950
Radio Equipment(RED)	EN300 328
Certification	CE,EMC,LVD,RED
Warranty	
Warranty	5 years
Weight	
Net weight	0.034kg
Gross weight	0.058kg

Key function

Pull out the plastic battery barrier sheet from the battery compartment located on the bottom of the remote before key operation.



Mode+/-: Short press switch dynamic mode built in controller, long press 2s Mode+ run mode cycle, long press 2s Mode- run the first mode.

The remote is default 10 dynamic mode, when match with SPI controller which have 32 dynamic mode, please long press 2s Mode+ key firstly.

Speed+/-: Adjust dynamic mode speed, short press 10 levels, long press 2s get the fastest / slowest speed.

Bright+/-: Adjust brightness, short press 10 levels, long press 1-6s for continuous 256 levels adjustment.

R/G/B+/-: Adjust R/G/B brightness respectively, short press 10 levels, long press 1-6s for continuous 256 levels adjustment to achieve millions of colors.

White: Adjust white color, For RGB light, short press turn on/off white(RGB mix), long press 1-6s adjust saturation continuously. For RGBW light, press W key will adjust W channel brightness, short press turn on/off W channel, long press 1-6s adjust W channel brightness continuously.

Scene: Short press recall the scene, long press 2s save the current color into the scene. the LED indicator will light up longer when save OK.

Use R9 remote set SPI digital LED strip

- Set LED strip length [Pixel number(8~1024)]. * + 3 number + * for example:
 - *032*, set pixel number to 32.
 - *600*, set pixel number to 600.
 - *1024*, set pixel number to 1024.
- Set LED strip chip type. * + 2 number + *
 - *11*: TM1803
 - *12*: TM1809,TM1804,TM1812,UCS1903,UCS1909,UCS1912,UCS2903,UCS2909,UCS2912,WS2811,WS2812
 - *13*: TM1829
 - *14*: TLS3001,TLS3002
 - *15*: GW6205
 - *16*: MBI6120
 - *17*: TM1814B(RGBVV)
 - *18*: SK6812(RGBVV)
 - *19*: UCS8904B(RGBVV)
 - *21*: LPD6803,LPD1101,D705,UCS6909,UCS6912
 - *22*: LPD8803,LPD8806
 - *23*: WS2801,WS2803
 - *24*: P9813
 - *25*: SK9822
 - *31*: TM1914A
- Set LED strip RGB order. * + 1 number + *
 - *1*: RGB, *2*: RBG, *3*: GRB, *4*: GBR, *5*: BRG, *6*: BGR.

Match Remote Control (two match ways)

End user can choose the suitable match/delete ways. Two options are offered for selection:

Use the controller's Match key

Match:

Short press match key, immediately press on/off key on the remote.

The LED indicator fast flash a few times means match is successful.

Delete:

Press and hold match key for 5s to delete all match, The LED indicator fast flash a few times means all matched remotes were deleted.

Use Power Restart

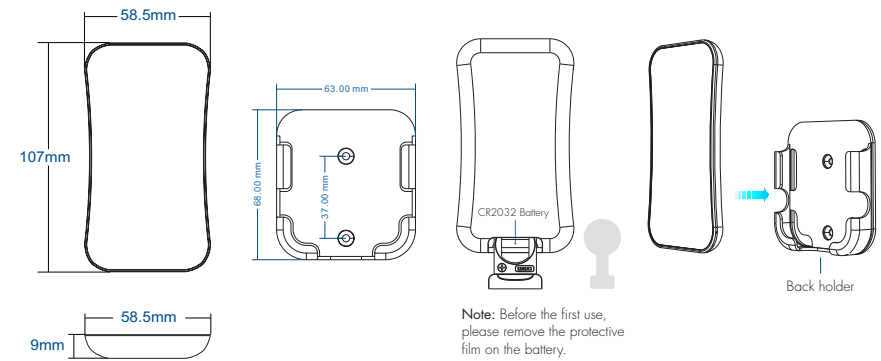
Match:

Switch off the power, then switch on power again, immediately short press on/off key 3 times on the remote. The light blinks 3 times means match is successful.

Delete:

Switch off the power, then switch on power again, immediately short press on/off key 5 times on the remote. The light blinks 5 times means all matched remotes were deleted.

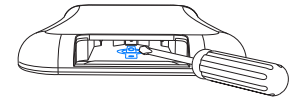
Mechanical Structures and Installations



To fix the remote, two options are offered for selection:

- Option 1: fix the remote' back holder on the wall with two screws.
- Option 2: adhere the remote' back holder to the wall with paster.

Note: If the LED indicator is not on when press key, it is due to dead battery or bad contact caused by multiple plugging, please replace the battery, or raise the battery shrapnel with a screwdriver.



Safety information

1. Read all instructions carefully before you begin this installation.
2. When installing battery, pay attention to the battery positive and negative polarity.
 - A long time without the remote control, remove the battery.
 - When remote distance becomes smaller and insensitive, replace the battery.
3. If no response from the receiver, please re-match the remote.
4. Gently handle remote, beware of falling.
5. For indoor and dry location use only.