

## 4" Round Floating Gimbal



Veroboard 4-inch floating Gimbal is the new innovative lighting option with its unique multi-directional, adjustable position feature. It is a LED light fixture with selectable color options from 5 different color temperatures ranging from 2700K, 3000K, 3500K to 4000K, and 5000K. It is suitable for indoor applications and renders high-quality colors of any object when illuminated due to its rendering index CRI90+. Furthermore, it is UV-free and IR-free lighting.

### SPECIFICATIONS

<b>Engine Model No.</b>	LED-4-S9W-1224V-5CCTWH-EFG
<b>Voltage</b>	12-24V AC/DC
<b>Frequency</b>	50/60Hz
<b>Power Factor (PF)</b>	0.9
<b>Wattage</b>	9W
<b>Equivalent Wattage</b>	50W
<b>Color Temperature</b>	5CCT Selectable Color Temperature (2700K-3000K-3500K-4000K-5000K)
<b>Angle Rotation</b>	360°
<b>Gimbal Tilt Angle</b>	90°
<b>Beam Angle</b>	40°
<b>Dimmable</b>	No
<b>Brightness</b>	700 Lumens
<b>Rendering Index</b>	CRI>90
<b>LED Driver</b>	IC Rated
<b>LED Type</b>	Integrated COB LED
<b>Fixture Color</b>	White
<b>Fixture Material</b>	Die-Cast Aluminum
<b>Rated Life</b>	50,000 Hours
<b>Installation</b>	Recessed/Flush Mount
<b>IP Rating</b>	IP20 (Damp Locations)
<b>Cut Size</b>	108 mm (4.25 in)
<b>Outer Dimensions</b>	Ø125.24 mm (Ø4.93 in) x 38mm (1.5 in) Depth
<b>LED Driver Dimensions</b>	67.7 x 25.4 x 25.4 mm (2.6 x 1 x 1 in)
<b>Package Content</b>	Light Fixture with Driver
<b>Package Dimensions</b>	14 x 14 x 8.2 cm (5.5 x 5.5 x 3.25 in)
<b>Package Weight</b>	0.560 Kg
<b>Certification</b>	FCC/ETL/Energy Star/RoHS

Job Name: \_\_\_\_\_

Distributor: \_\_\_\_\_

Type: \_\_\_\_\_

**9W = 50W**  
50 Watts Equivalent  
9 Actual Watts Used



90° TILT



360° Rotation



Selectable  
Color Temperature  
Switch

**LED Driver Dimensions:**  
Length: 67.76 mm (2.67 in)  
Width: 25.40 mm (1 in)  
Depth: 25.40 mm (1 in)



### Safety and Warning

The fixture must be wired in accordance with local electrical codes. All the installation must be done by a certified electrician. Please be certain the main power switch is OFF before the installation or attempting any maintenance.

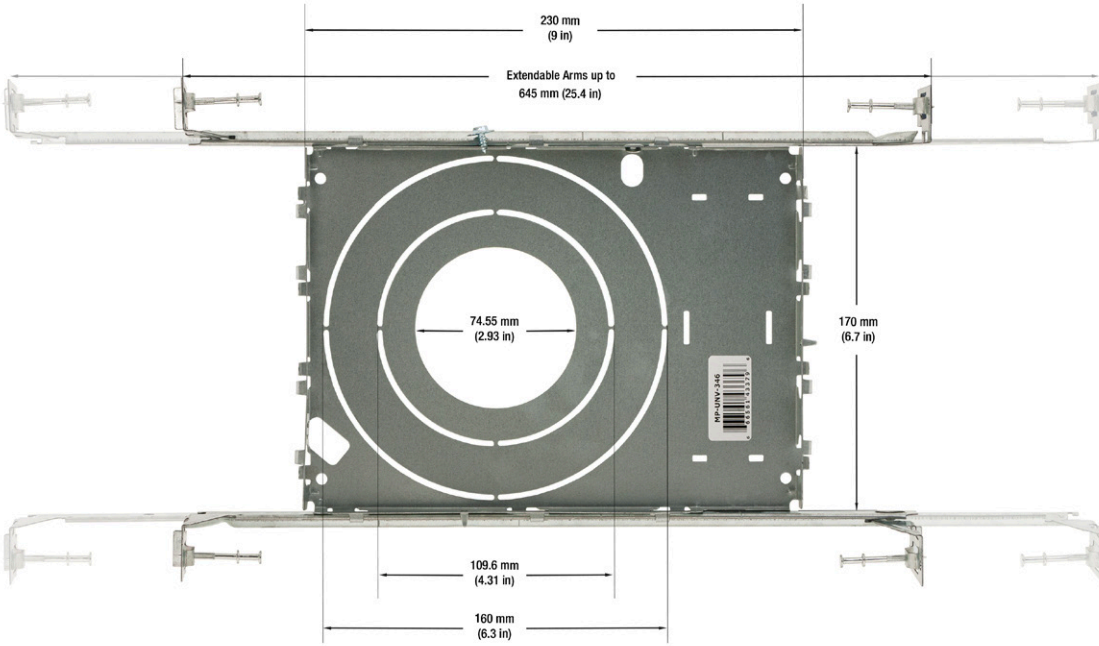
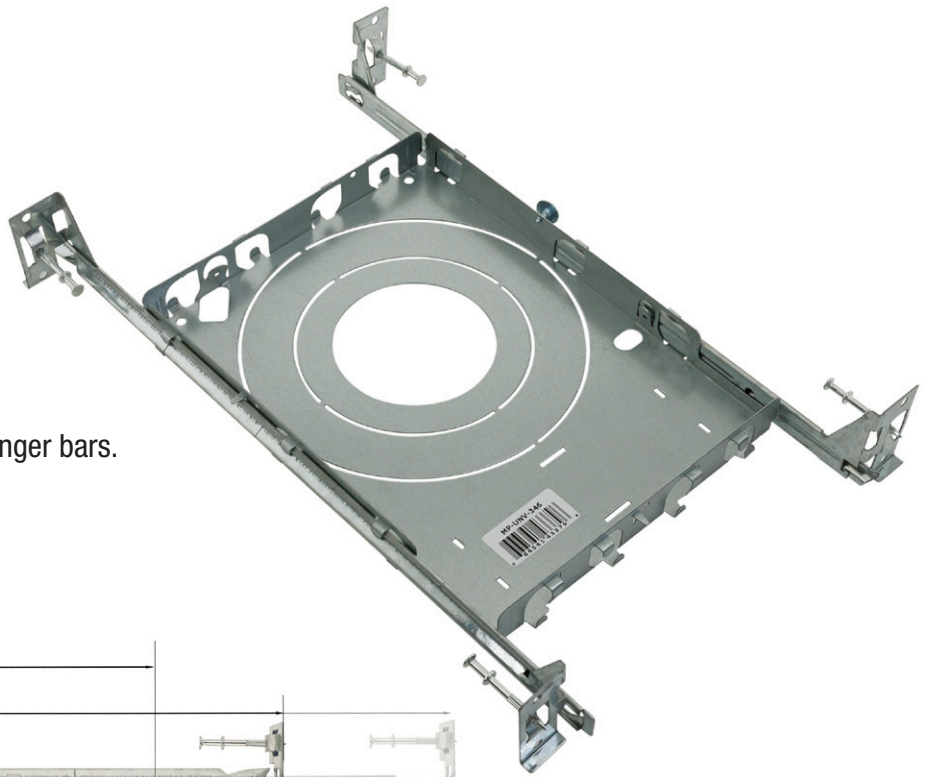


SKU: 666561432263

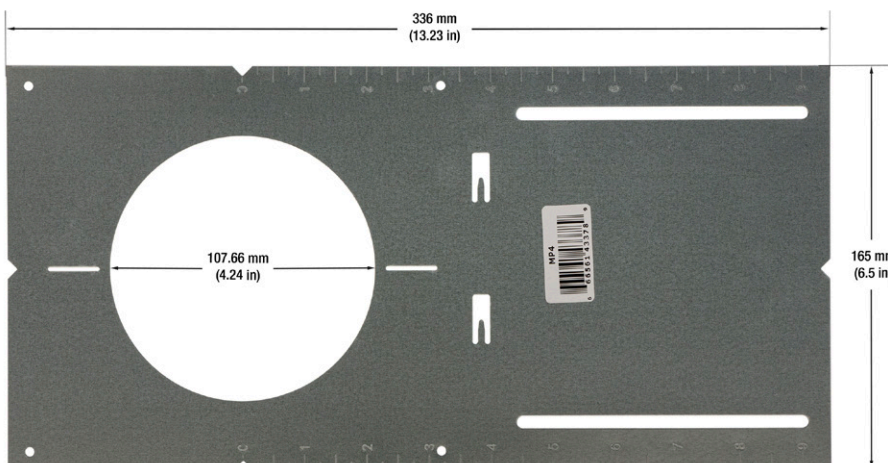
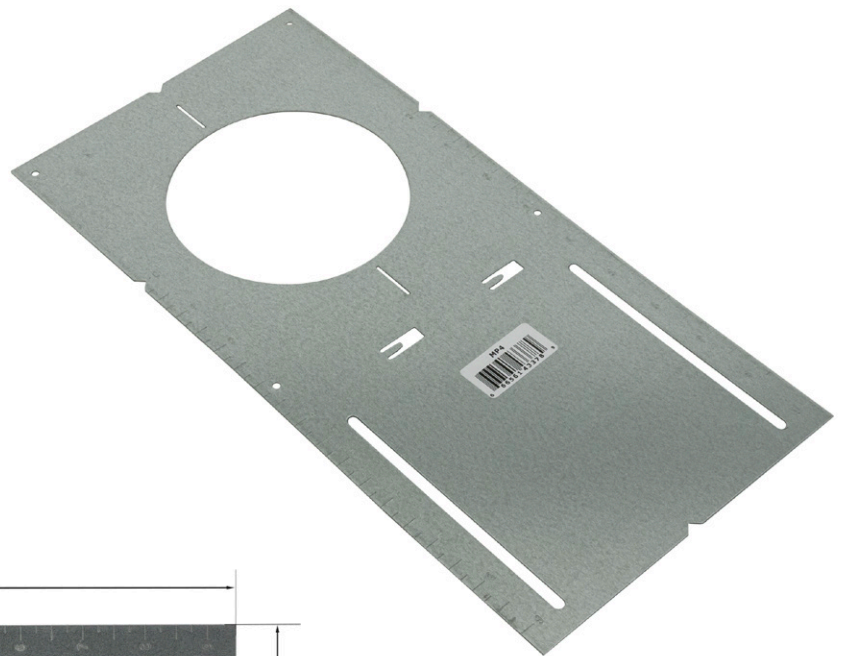
# New Construction Mounting Plates

*(Sold separately)*

New Construction Universal Mounting Plate suitable for 3, 4, and 6-inch fixtures, with two hanger bars.  
Model: **MP-UNV-346** | SKU: **666561433796**



New Construction Mounting Plate suitable for 4-inch fixture without lip  
Model: **MP4** | SKU: **666561433789**



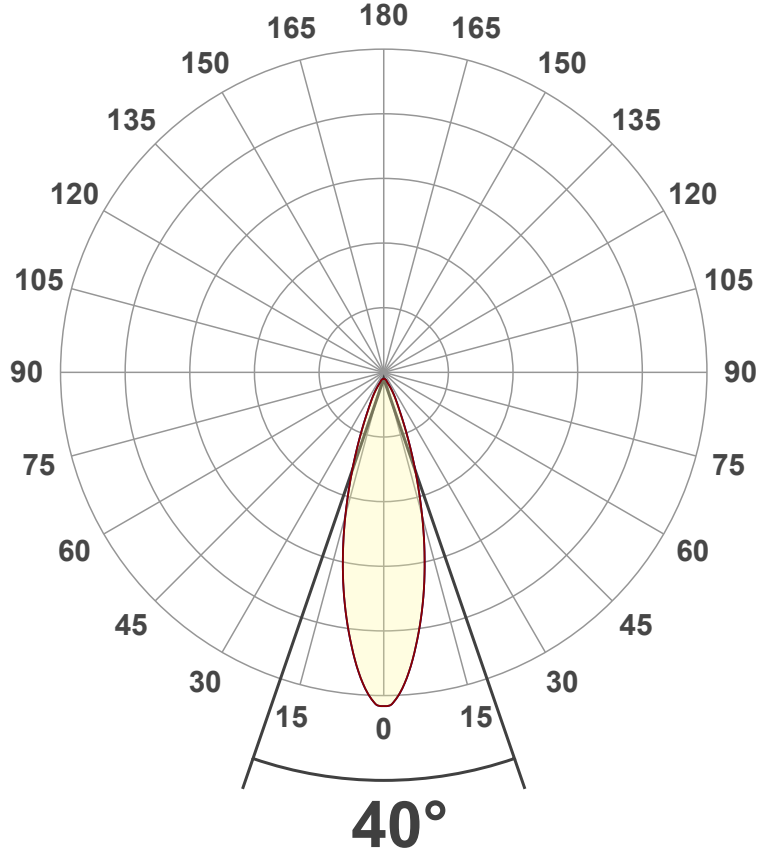
# Light Measurement Report

Print date: 2023-01-06

Measurement date and time: 2023-01-06 11:41:29 AM – Measurement no. VFR-230106-0050-MS

## Luminous Intensity diagram

Unit: 0-100% of peak intensity



## Main Values

Output (total Lumen)	700 lm
Lumen Up% / Down%	0% / 100%
Peak Intensity	2043 cd
Beam Angle (50%)	40°
Beam Angle (90%)	28.9°
Beam Angle (10%)	28.9°

## Cut-off Angle

Average 2,5%	81.8°
--------------	-------

## Field Angle

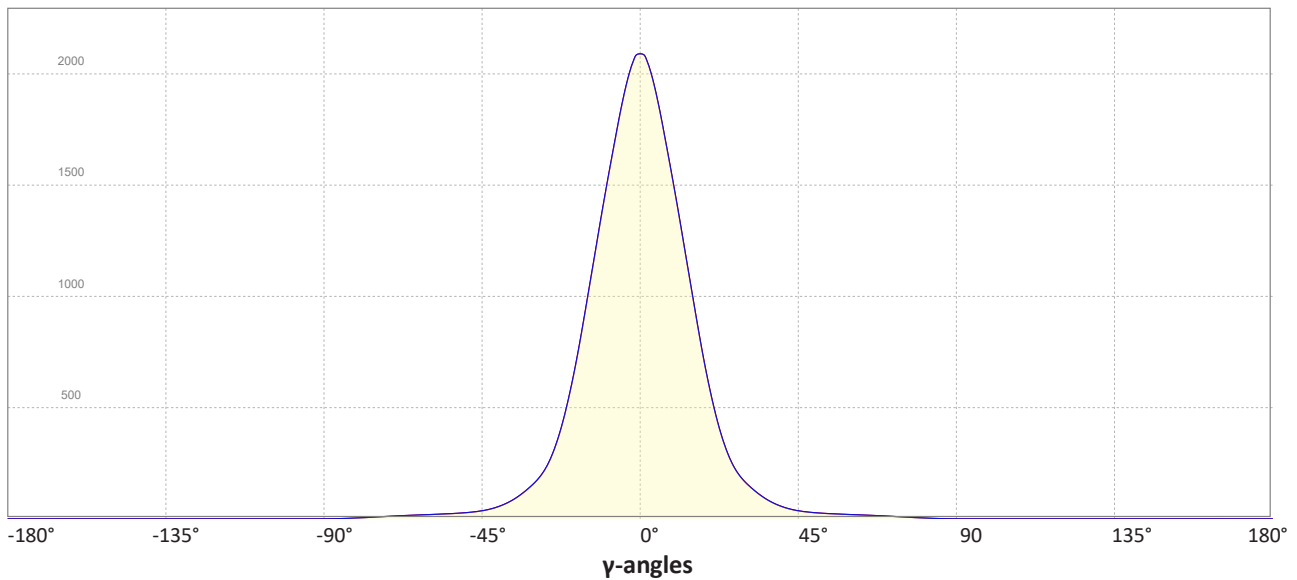
Average 10%	55.3°
-------------	-------

## Intensity Ratio

In 120° cone	96.2%
In 90° cone	91.6%

**C000-C180**  
**C090-C270**

## Linear distribution diagram - Intensity (candela) vs $\gamma$ -angle



# Light Measurement Report

Print date: 2023-01-06

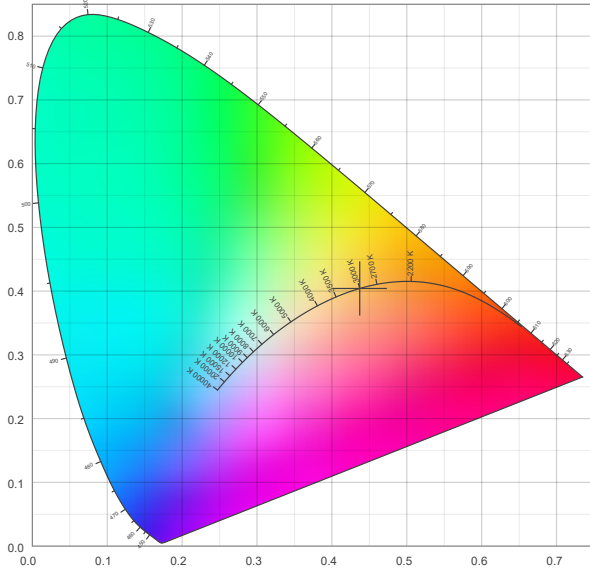
Measurement date and time: 2023-01-06 11:41:29 AM – Measurement no. VFR-230106-0050-MS

## Color details

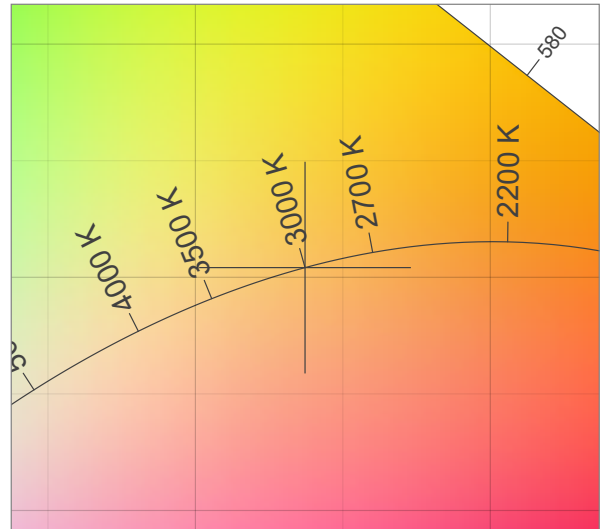
Correlated Color Temperature, Target CCT = 3000 K  
 Correlated Color Temperature, Measured CCT = 2890 K  
 Color Rendering Index CRI 92.9  
 Color Rendering Index, R9 (red component) R9 = 57.0  
 Color Rendering TM30-18 R<sub>f</sub> 89.1 – R<sub>g</sub> 94.3  
 Color Quality Scale CQS = 90.1

MacAdam Steps SDCM = 5.3  
 Color coordinates CIE 1931 (x;y) = (0.437;0.404)  
 Color coordinate CIEs 1960 (u';v') = (0.251;0.348)  
 Color deviation from BBL Duv = 0.0025  
 Color coordinate CIEs 1976 (CIELUV) (u'';v'') = (0.251;0.251)

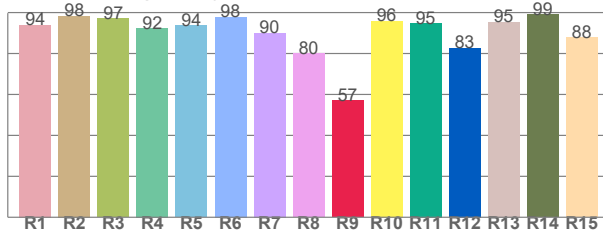
CIE 1931



CIE 1931 – zoomed on Planckian locus



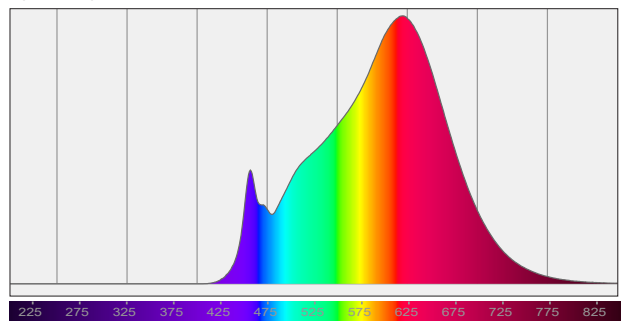
Color Rendering Index per reference color (CIE 1995)



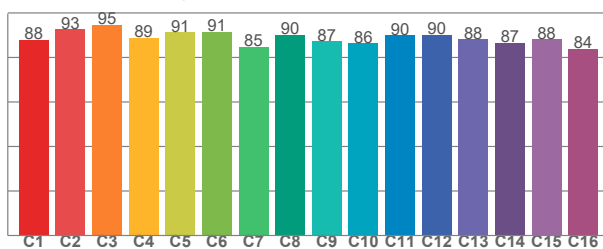
CRI R values, only R1-R8 are used to calculate final CRI value

R1	R2	R3	R4	R5	R6	R7	R8	R9	R10	R11	R12	R13	R14	R15
94.0	98.4	97.2	92.3	93.7	97.8	90.0	80.0	57.0	95.9	94.8	82.6	95.5	99.0	87.9

Spectral power distribution (SPD) / W/nm – 0-100%



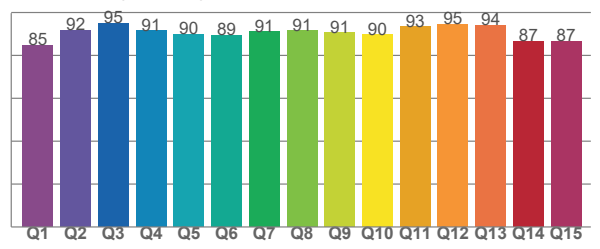
TM30-18 Rf-values per hue bin



TM30 C values, 16 binned values out of total of 99 C values

C1	C2	C3	C4	C5	C6	C7	C8	C9	C10	C11	C12	C13	C14	C15	C16
88.0	92.7	94.6	88.9	91.4	91.4	84.7	90.2	87.3	86.4	90.1	90.3	88.2	86.5	88.1	83.9

Color Quality Scale by reference color



CQS Q values

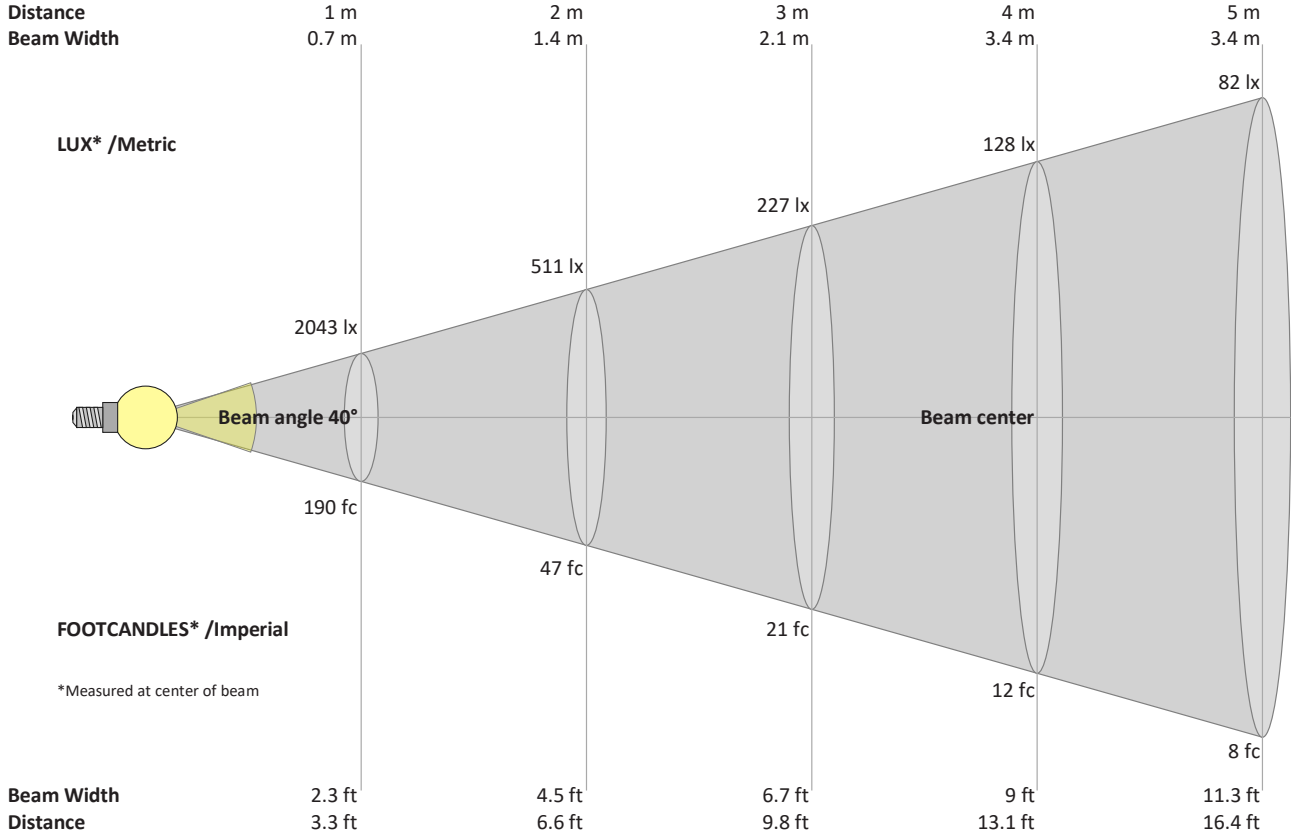
Q1	Q2	Q3	Q4	Q5	Q6	Q7	Q8	Q9	Q10	Q11	Q12	Q13	Q14	Q15
84.7	91.8	95.0	91.4	90.0	89.4	91.0	91.4	90.6	89.6	93.4	94.5	94.0	86.5	86.6

# Light Measurement Report

Print date: 2023-01-06

Measurement date and time: 2023-01-06 11:41:29 AM – Measurement no. VFR-230106-0050-MS

## Beam Details



### Beam intensities from 1 – 20 m

1	2	3	4	5	6	7	8	9	10	11	12	13	14	15	16	17	18	19	20	m
3.3	6.6	9.8	13.1	16.4	19.7	23	26.2	29.5	32.8	36.1	39.4	42.7	45.9	49.2	52.5	55.8	59.1	62.3	65.6	ft
2043	511	227	128	82	57	42	32	25	20	17	14	12	10	9	8	7	6	6	5	lux
189.8	47.4	21.1	11.9	7.6	5.3	3.9	3	2.3	1.9	1.6	1.3	1.1	1	0.8	0.7	0.7	0.6	0.5	0.5	fc

### Intensities in 0° c-plane

0°	2°	4°	6°	8°	10°	12°	14°	16°	18°	20°	22°	24°	26°	28°	30°	32°	34°	36°	38°	y
2043	2012	1907	1762	1598	1427	1247	1064	882	709	557	428	326	249	197	160	132	107	86	69	cd
100%	99%	93%	86%	78%	70%	61%	52%	43%	35%	27%	21%	16%	12%	10%	8%	6%	5%	4%	3%	of 0°val

### Intensities in 90° c-plane

0°	2°	4°	6°	8°	10°	12°	14°	16°	18°	20°	22°	24°	26°	28°	30°	32°	34°	36°	38°	y
2043	2012	1907	1762	1598	1427	1247	1064	882	709	557	428	326	249	197	160	132	107	86	69	cd
100%	99%	93%	86%	78%	70%	61%	52%	43%	35%	27%	21%	16%	12%	10%	8%	6%	5%	4%	3%	of 0°val

### Intensities in 180° c-plane

0°	2°	4°	6°	8°	10°	12°	14°	16°	18°	20°	22°	24°	26°	28°	30°	32°	34°	36°	38°	y
2043	2012	1907	1762	1598	1427	1247	1064	882	709	557	428	326	249	197	160	132	107	86	69	cd
100%	99%	93%	86%	78%	70%	61%	52%	43%	35%	27%	21%	16%	12%	10%	8%	6%	5%	4%	3%	of 0°val

### Intensities in 270° c-plane

0°	2°	4°	6°	8°	10°	12°	14°	16°	18°	20°	22°	24°	26°	28°	30°	32°	34°	36°	38°	y
2043	2012	1907	1762	1598	1427	1247	1064	882	709	557	428	326	249	197	160	132	107	86	69	cd
100%	99%	93%	86%	78%	70%	61%	52%	43%	35%	27%	21%	16%	12%	10%	8%	6%	5%	4%	3%	of 0°val

