

SR-1009EA-5C (R-25.5A)

Constant Voltage Receiver, 12-36V 300-900W

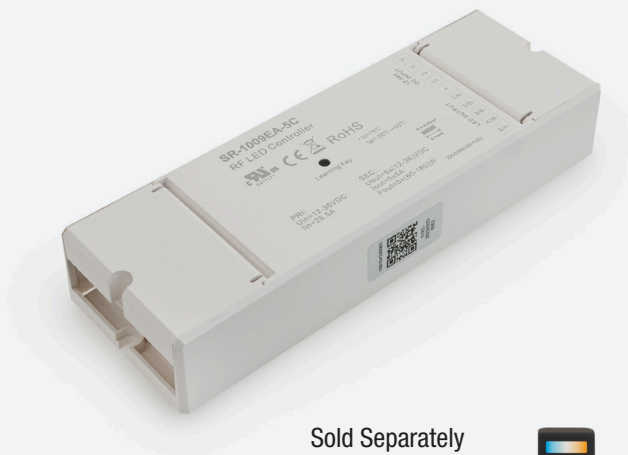
Model No.:	SR-1009EA-5C (R-25.5A)
Input Voltage:	12-36V DC
Output Wattage:	5 x 5A (5CH x 5A/CH)
Compatible Remote Controllers:	SR-2819S-DIM (R1) SR-2819S-CCT (R2) SR-2819S RGBW (R3) SR-2858Z4-5C RGBW+CCT (R4)
Case Temperature (Tc):	75° C
Ambient Temperature (Ta):	20° C~+5°0 C
Dimensions:	170mm x 59mm x 29mm (6.7" x 2.3" x 1.125")
Certifications:	CE/cRU/RoHS

Name: _____

Company: _____

Phone: _____

Email: _____



Sold Separately



(R1)



(R2)



(R3)



(R4)

Features:

- 5 channel full functional constant voltage RF LED receiver.
- Output voltage of 12-36VDC and max. 5A per channel.
- Enables to drive RGB and dual color (warm white and cold white) LED lighting with a single receiver.
- Compatible with RGB & CCT remote, mono chrome, dual color, RGB and RGBW LED lighting when paired with corresponding remote or wall mounted control.
- Full compatibility with a variety of mono chrome, dual color, RGB/RGBW and RGB+CCT RF remotes.
- Multiple zones can be controlled separately or synchronously with endless receivers in each zone.
- Each receiver can be controlled by 8 different remotes maximally.
- Brightness of each R, G, B and W can be adjustable to achieve millions of colors.
- Radio frequency available: 869.5/434/916.5MHz.



Disclaimer:

The data and information contained in this specification sheet are subject to change without notice; the ratings supplied are provided based on the product manufacturer. The information contained in this specification sheet should not be considered a warranty, expressed or implied, including, but not limited to, a warranty of merchantability or fitness for a particular purpose. In no event shall Veroboard be liable for any incidental or consequential damages resulting from the use, misuse, or inability to use the product. This exclusion applies regardless of whether such damages are sought based on breach of warranty, breach of contract, negligence, strict liability in tort, or any other legal theory.



SKU: 666561430818

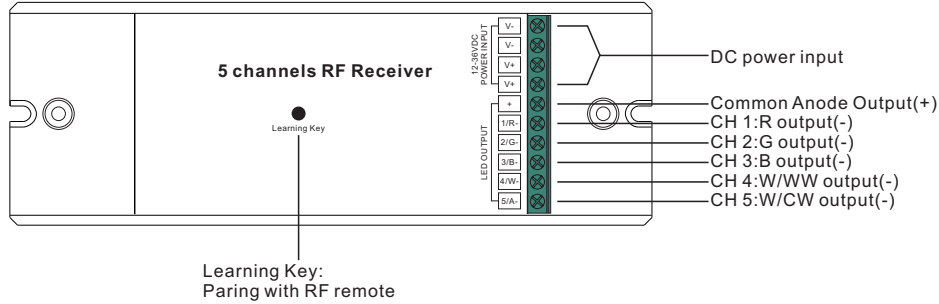
5 Channels RF receiver

09.09EA5.04702



Important: Read All Instructions Prior to Installation

Function introduction



Product Data

Input Voltage	Output Current	Output Power	Remarks	Size(LxWxH)
12-36VDC	5x5A	5x(60-180)W	Constant voltage	170x59x29mm

- Radio Frequency : 868/915/434mhz
- Waterproof grade: IP20

Safety & Warnings

- DO NOT install with power applied to device.
- DO NOT expose the device to moisture.

Operation

Do wiring according to connection diagram.

Pair RF Receiver with RF remote:

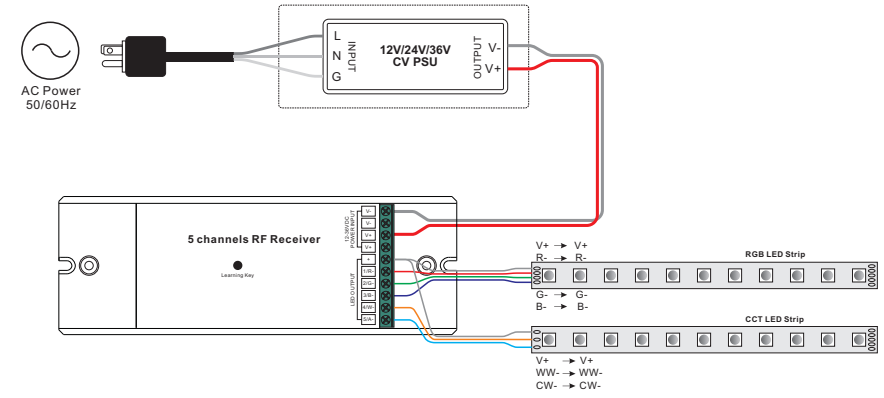
1. Connect and wire up the RF receiver correctly, power on.
2. Turn on the remote, click the “**Learning Key**” button on receiver, immediately click a zone number to pair the receiver to the specified zone if the remote is a multi-zone controller (if it is a single zone remote, this step is unnecessary), then touch the color wheel or slider bar on the remote (if the remote does not have color wheel or slider bar, click or touch any keys), the connected led light on receiver flickers twice, which means well paired.

Note: one receiver can be paired with max 8 remote controls.

Delete the pairing:

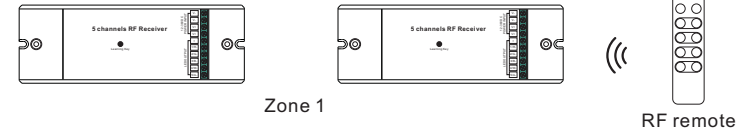
1. Wire up the RF receiver correctly, power on
2. Hold down the “**Learning Key**” button on receiver for over 3 seconds until the connected led light on receiver flickers twice, which means well deleted.

Wiring Diagram



If you use multiple receivers, you have two choices:

Option 1: have all the receivers in the same zone, like zone 1



Option 2: have each receiver in a different zone, like zone 1, 2, 3 or 4

