

VEROBOARD®

4" Gimbal Adjustable Downlight Canless



Veroboard 4-inch adjustable recessed gimbal has a 360-degree angle rotation that helps in rotating the luminaire in the needed direction. They come with an IC-rated LED driver. They come with zero flickers and with a rendering index of 90+. These lights have a feature of selecting the light color from five temperatures ranging from 2700K-3000K-3500K to 4000K-5000K. Moreover, they are compatible with most of the dimmers including DVCL-153P and DVCLP-300P dimmers.

SPECIFICATIONS

Engine Model No:	AD-LED-4-S12W-1224V-5CCTWH-EY
Input Voltage:	12-24V AC/DC
Frequency:	60Hz
Power Factor (PF):	0.9
Wattage:	12W
LED Driver:	IC Rated
Color Temperature:	5CCT Selectable Color Temperature (2700K-3000K-3500K-4000K-5000K)
Angle Rotation:	360°
Gimbal Tilt Angle:	30°
Beam Angle:	40°
Dimmable:	No
Brightness:	1000 Lumens
Rendering Index:	CRI>90
LED Type:	Integrated COB LED
Fixture Color:	White
Fixture Material:	Die-Cast Aluminum
Rated Life:	50,000 Hours
Installation:	Recessed/Flush Mount
IP Rating:	IP20 (Damp Locations)
Cut Size:	108 mm (4.25 in)
Outer Dimensions:	Ø 125 mm (4.9 in) x 50.50 mm (2 in) Depth
LED Driver Dimensions:	90 x 80 x 35.5 mm (3.5 x 3.15 x 1.4 in)
Package Content:	Gimbal with IC-Rated LED Driver
Package Dimensions:	5.5 x 5.4 x 4 in (14.3 x 13.3 x 10.2 cm)
Package Weight:	0.650 Kg
Certification:	FCC/ETL/Energy Star/RoHS



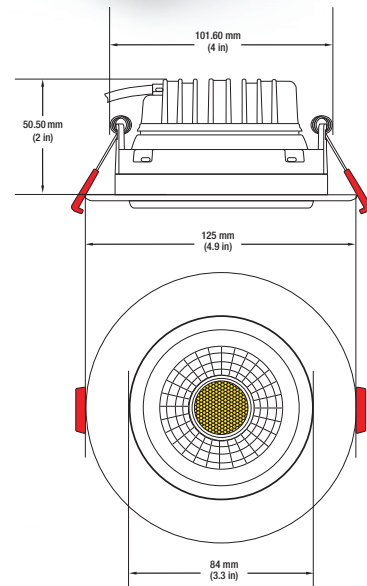
Selectable
Color Temperature
Switch

LED Driver Dimensions:
Length: 67.76 mm (2.67 in)
Width: 25.40 mm (1 in)
Depth: 25.40 mm (1 in)

**LED DRIVER
INCLUDED**



**360° Rotation
30° Tilt**



Safety and Warning

The fixture must be wired in accordance with local electrical codes. And all the installation must be done by a certified electrician. Please be sure the main power switch is OFF before the installation or attempting any maintenance. This product may cause interference with radio equipment and should not be installed near maritime safety communications equipment or other critical navigation or communication equipment operating between 0.45-30MHz.

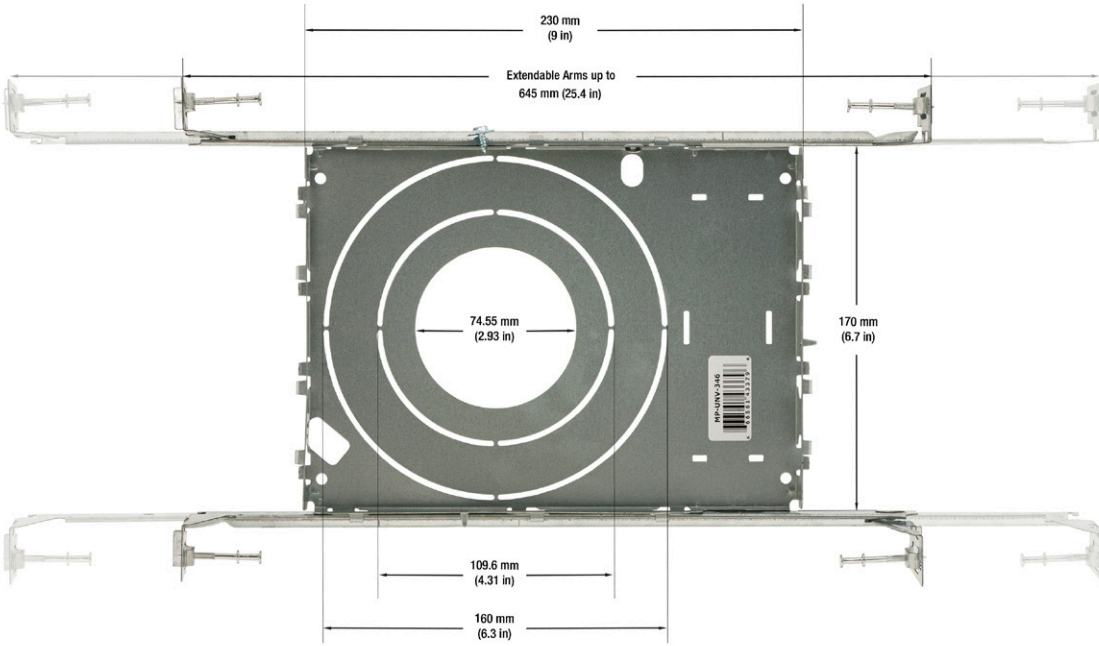
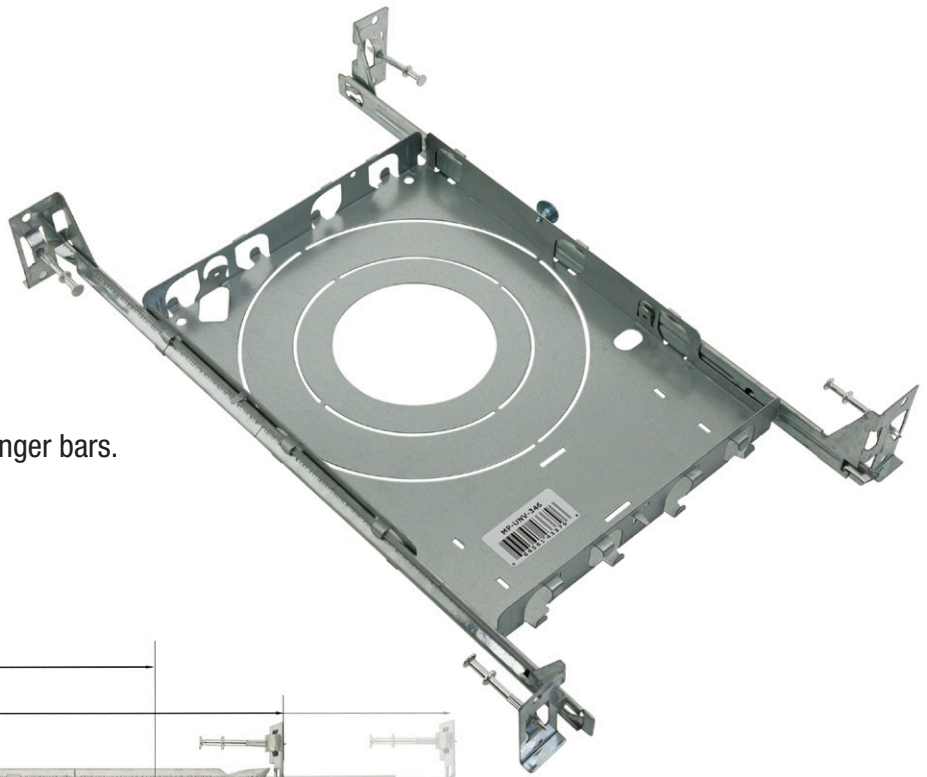
Read all the instructions from the installation manual before installing. This product is suitable for dry and damp locations only.

SKU: 666561430375

New Construction Mounting Plates

(Sold separately)

New Construction Universal Mounting Plate suitable for 3, 4, and 6-inch fixtures, with two hanger bars.
Model: **MP-UNV-346** | SKU: **666561433796**



New Construction Mounting Plate suitable for 4-inch fixture without lip
Model: **MP4** | SKU: **666561433789**

