

Model: VBD-024-060DD

Input Voltage:	100 – 265V AC
Input Current:	0.62A
Frequency:	50/60 Hz
Output Voltage:	24V DC
Output Regulated Current:	2.5A
Max Power:	60W max
Power Factor:	0.95
IP Rating:	IP65 (Dry, Damp, and Wet Locations)
Dimmable:	Yes
Wiring/Housing:	Hardwire
Dimensions (Without Box):	185 x 67 x 40mm (7.25 x 2.6 x 1.5")
Dimensions (Box):	362 x 78 x 58mm (14.25 x 3 x 2.25")
Standards:	ETL/FCC/RoHS

Job Name: _____

Distributor: _____

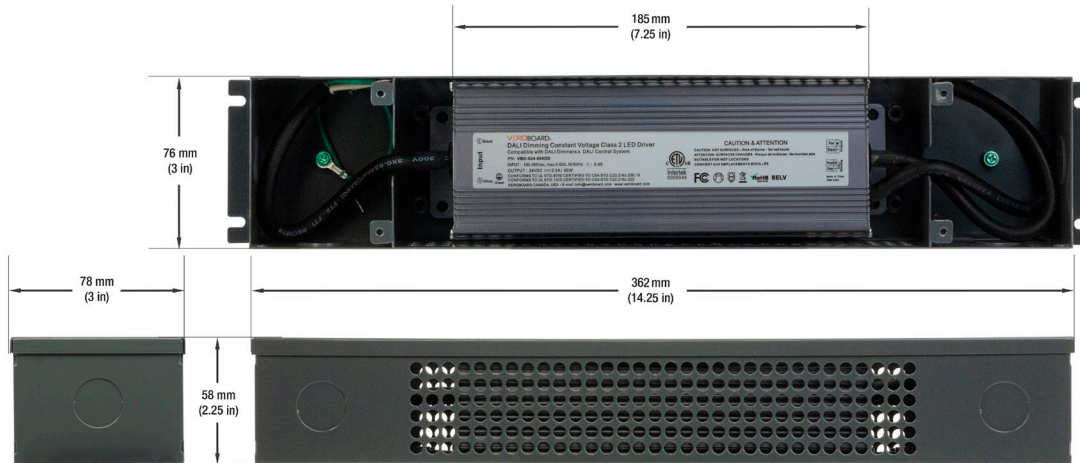
Type: _____



Veroboard Tech Inc. offers 12V, 24V DC DALI dimmable LED driver which is ETL/cETL FCC CE ROHS listed. Function conform to DALI protocol IEC62386. Dimming range from %0.1 to %100. Strong compatibility, flicker free dimming. Suitable for all LED lighting applications Compliance to worldwide safety regulations for lighting.

Features

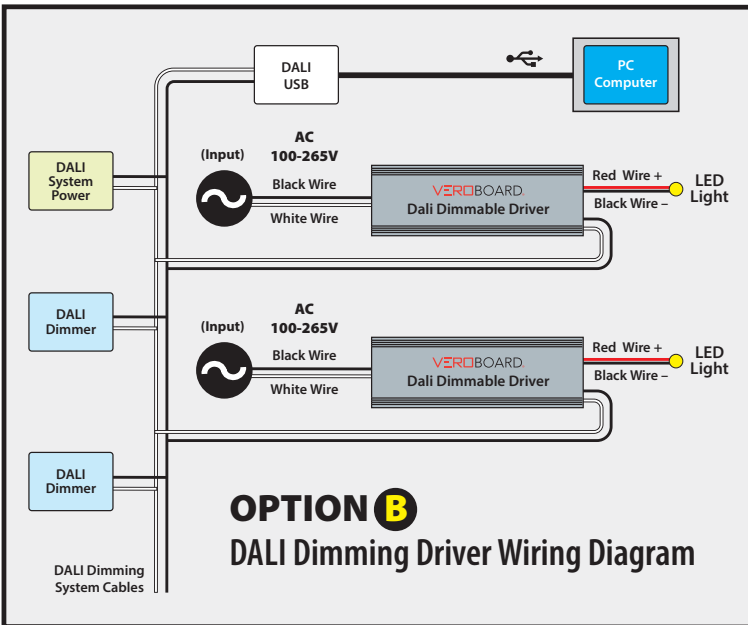
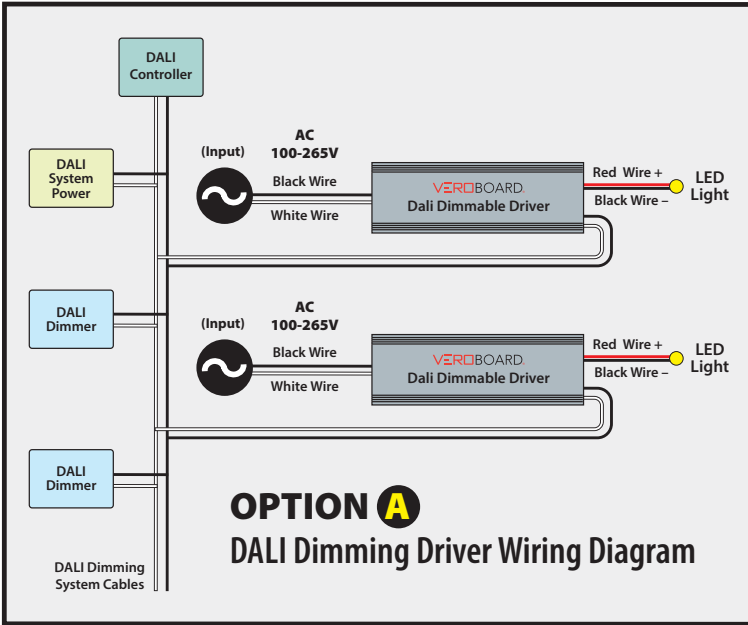
- 1 Output constant voltage
- 2 Built-in active PFC function
- 3 Efficiency >87% PF >0.9
- 4 Dimming range from 0.1% to 100%
- 5 Cooling by free air convection
- 6 Dimming Function: Built in DALI interface dimming function
- 7 Protections: Short circuit/overload/over current/over temperature
- 8 Conform to DALI Protocol IEC62386
- 9 Suitable for intelligent LED lighting
- 10 Compliance to worldwide safety regulations for lighting
- 11 Working Temperature: -40~+60°C



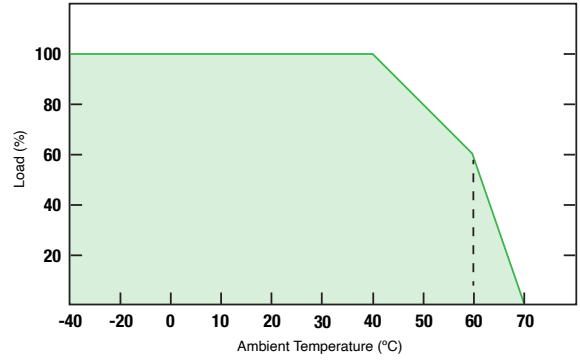
**24V DC
60W
CLASS 2**

SKU: 666561427320

Wiring Diagram



Derating Curve



Disclaimer:

The data and information contained in this specification sheet are subject to change without notice; the ratings supplied are provided based on the product manufacturer. The information contained in this specification sheet should not be considered a warranty, expressed or implied, including, but not limited to, a warranty of merchantability or fitness for a particular purpose. In no event shall Veroboard be liable for any incidental or consequential damages resulting from the use, misuse, or inability to use the product. This exclusion applies regardless of whether such damages are sought based on breach of warranty, breach of contract, negligence, strict liability in tort, or any other legal theory.