

## Double Door Trigger Infrared Sensor Switch Sensor Switch

Job Name: \_\_\_\_\_

Distributor: \_\_\_\_\_

Type: \_\_\_\_\_



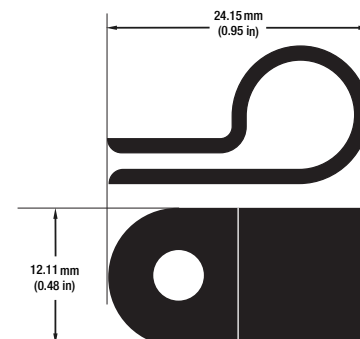
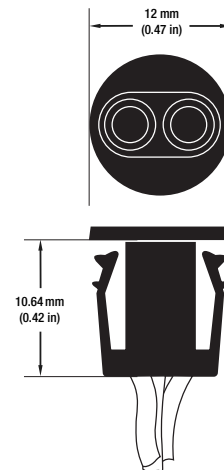
The sensor is a contactless electronic switch with IR sensor technology that can be easily mounted on doors, windows, garage gates, and other similar applications. The light switches ON when the door opens and switches OFF when closed.

### Package Content:

- Two IR sensor switches with AWG24 wire
- Two holders with screws for surface mounting the sensors

### SPECIFICATIONS

<b>Model No</b>	VBD-DOOR-DBL-60
<b>Operating Voltage</b>	12-24V DC
<b>Power Load</b>	30W Max.
<b>Usage</b>	Single Color
<b>Body Color</b>	Black
<b>Material</b>	PVC (Plastic)
<b>Sensor Distance</b>	6-10cm
<b>Operating Temperatures</b>	-5°C~40°C
<b>IP Rating</b>	IP20 (Indoor use only)



SKU: 666561425272